

Data Sheet

Customer:

Product: Automotive Grade Current Sensing Chip Resistor – CS..A Series

Size: 0402/0603/0805/1206/1210/2010/2512/1225/3720/7520

Issued Date: 15-Jun-22

Edition: REV.B3



VIKING TECH CORPORATION

光頡科技股份有限公司

No.70 Guangfu N. Rd., Hukou
Township, Hsinchu County 303,
Taiwan

TEL:886-3-5972931

FAX:886-3-5972935•886-3-5973494

E-mail:sales@viking.com.tw

VIKING TECH CORPORATION KAOHSIUNG BRANCH

光頡科技股份有限公司高雄分公司

No.248-3, Sin-Sheng Rd., Cian-Jhen Dist., Kaohsiung,
806, Taiwan

TEL:886-7-8217999

FAX:886-7-8228229

E-mail:sales@viking.com.tw

VIKING ELECTRONICS (WUXI) CO., LTD.

光頡電子(無錫)有限公司

No.22 Xixia Road, Machinery & Industry Park,
National Hi-Tech Industrial Development Zone
of Wuxi, Wuxi, Jiangsu Province, China
Zip Code:214028

TEL:86-510-85203339

FAX:86-510-85203667•86-510-85203977

E-mail:china@viking.com.tw

Produced by (QC)	Checked (QC)	Approved by (QC)	Prepared by (Sales)	Accepted by (Customer)
15-Jun-22	15-Jun-22	15-Jun-22		
Alice Hsiao	Susan Huang	Susan Huang		

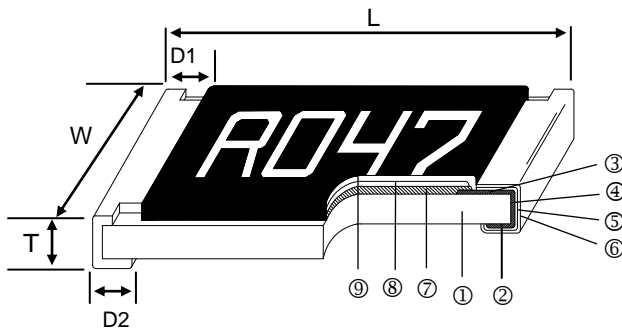
Automotive Grade Current Sensing Chip Resistor



■ Features

- AEC-Q200 Compliance
- Highly reliable multilayer electrode construction
- Reduced size of final equipment reliability
- 3 Watts power rating in 1 Watt size, 1225 package
- Low TCR of ± 100 PPM/ $^{\circ}$ C
- Resistance values from 1m to 1 ohm
- High purity alumina substrate for high power dissipation
- Long side terminations with higher power rating
- Special construction to prevent sulfuration in a sulfur containing environment
- RoHS Compliance
- 100% CCD inspection

■ Construction



■ Applications

- Automotive Industry
- Power Management Applications
- Switching Power Supply
- Over Current Protection in Audio Applications
- Voltage Regulation Module (VRM)
- DC-DC Converter, Battery Pack, Charger, Adaptor
- Automotive Engine Control
- Disk Driver

① Alumina Substrate	④ Edge Electrode	⑦ Resistor Layer
② Bottom Electrode	⑤ Barrier Layer	⑧ Primary Overcoat
③ Top Electrode	⑥ External Electrode	⑨ Secondary Overcoat

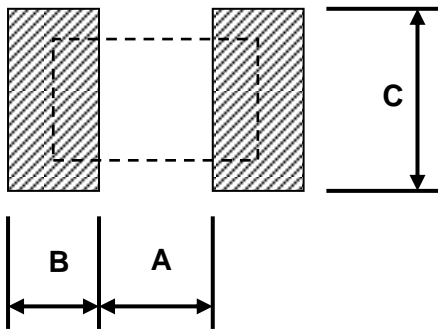
■ Dimensions

Type	Size (Inch)	L (mm)	W (mm)	T (mm)	D1 (mm)	D2 (mm)	Weight (g) (1000pcs)
CS02	0402	1.00 \pm 0.05	0.50 \pm 0.05	0.32 \pm 0.10	0.25 \pm 0.10	0.20 \pm 0.10	0.7
CS03	0603	1.60 \pm 0.10	0.80 \pm 0.10	0.45 \pm 0.10	0.30 \pm 0.20	0.30 \pm 0.20	1.99
CS05	0805	2.00 \pm 0.10	1.25 \pm 0.10	0.55 \pm 0.10	0.30 \pm 0.20	0.40 \pm 0.25	5.3
CS06	1206	3.10 \pm 0.10	1.55 \pm 0.10	0.55 \pm 0.10	0.50 \pm 0.30	0.40 \pm 0.25	8.82
CS13	1210	3.10 \pm 0.10	2.60 \pm 0.15	0.55 \pm 0.10	0.50 \pm 0.30	0.50 \pm 0.25	15.5
CS10	2010	5.00 \pm 0.10	2.50 \pm 0.15	0.60 \pm 0.15	0.60 \pm 0.30	0.50 \pm 0.25	27.03
CS12	2512	6.35 \pm 0.10	3.10 \pm 0.15	0.60 \pm 0.10	0.60 \pm 0.30	0.55 \pm 0.25	43.08
CS12 (2W)	2512 (10 - 99m Ω)	6.35 \pm 0.20	3.15 \pm 0.15	0.74 \pm 0.10	0.60 \pm 0.30	0.55 \pm 0.25	53.08
CS12 (2W)	2512 (100 - 1000m Ω)	6.35 \pm 0.20	3.15 \pm 0.15	0.74 \pm 0.10	0.60 \pm 0.30	2.10 \pm 0.10	53.08
CS25	1225	3.20 \pm 0.15	6.45 \pm 0.15	0.90 \pm 0.15	0.60 \pm 0.30	0.80 \pm 0.25	64.88
CS37	3720	2.00 \pm 0.20	3.75 \pm 0.20	0.60 \pm 0.10	0.40 \pm 0.20	0.40 \pm 0.20	19.96
CS75	7520	2.00 \pm 0.20	7.50 \pm 0.30	0.60 \pm 0.10	0.40 \pm 0.20	0.40 \pm 0.20	35.71

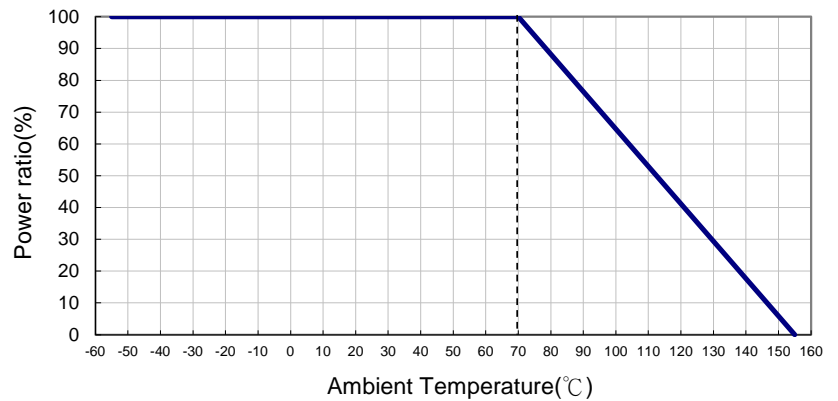
Part Numbering

CS	06	F	T	G	U	R100	A
Product Type	Dimensions (LxW)	Resistance Tolerance	Packaging Code	TCR (PPM/°C)	Power Rating	Resistance	Marking
	02: 0402 03: 0603 05: 0805 06: 1206 13: 1210 10: 2010 12: 2512 25: 1225 37: 3720 75: 7520	F: ±1% G: ±2% J: ±5%	T: Taping Reel	E: ±100 F: ±200 G: ±300 H: ±400 J: ±600 K: ±150	: Standard S: 2W A: 1.5W T: 1W Q: 3/4W U: 1/2W V: 1/4W P: 1/5W W: 1/8W	R010: 0.01Ω R100: 0.1Ω 1R00: 1Ω	NA: No Marking A: Automotive Grade

Recommend Land Pattern



Derating Curve



Pad Layout (Except For CS12:High Power Rating Series)

Type	A (mm)	B (mm)	C (mm)
CS02	0.50	0.50	0.60±0.2
CS03	0.80	1.00	0.90±0.2
CS05	1.00	1.00	1.35±0.2
CS06	2.00	1.15	1.70±0.2
CS13	2.00	1.15	2.50±0.2
CS10	3.60	1.40	2.50±0.2
CS12	4.90	1.60	3.20±0.2
CS25	1.20	2.00	7.00±0.2
CS37	1.00	1.80	3.90±0.2
CS75	1.00	1.80	7.60±0.2

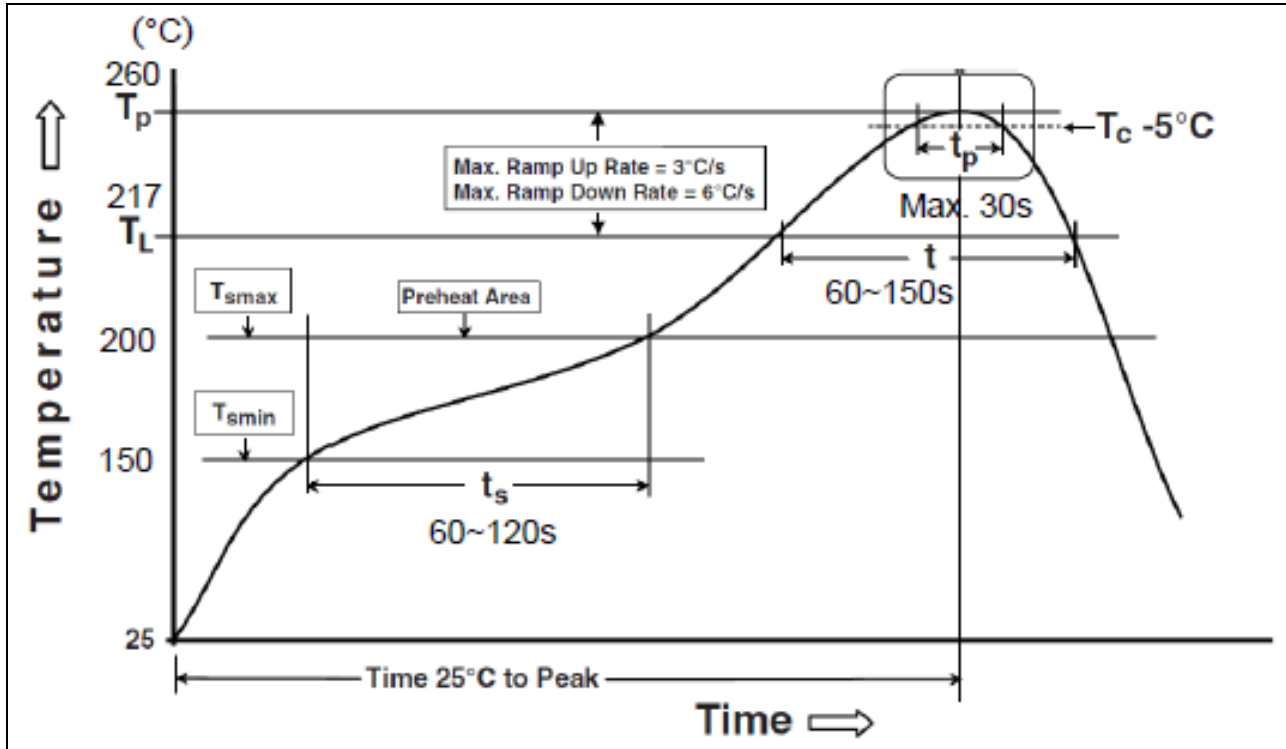
Marking for 0603

Type	Code
1R0	1.000Ω
R10	0.100Ω
R01	0.010Ω
<u>102</u>	0.102Ω
<u>024</u>	0.024Ω

Pad Layout (For CS12:High Power Rating Series)

Type	Resistance Range	A (mm)	B (mm)	C (mm)
CS12	10~99 mΩ	4.9	1.6	3.2±0.2
CS12	100~1000mΩ	1.0	3.55	3.2±0.2

■ Soldering Condition (Ref. IPC/JEDEC J-STD-020 & J-STD-002)



Reflow Profiles	
Profile Feature	Pb-Free Assembly
Preheat Min. Temperature (T _{smin}) Max Temperature (T _{smax}) Preheating time (t _s) from (T _{smin} to T _{smax})	150 °C 200 °C 60-120 seconds
Ramp-up rate (T _L to T _p)	3 °C/second max.
Liquidous temperature (T _L) Time (t _L) maintained above T _L	217 °C 60-150 seconds
Min. Peak temperature (T _p min)	235°C
Max. Peak temperature (T _p max)	260°C
Time (t _p) within 5 °C of the specified classification temperature (T _c)	30 seconds max.
Ramp-down rate (T _p to T _L)	6 °C/second max.
Time 25 °C to peak temperature	8 minutes max.

Standard Electrical Specifications

Type \ Item	Power Rating at 70°C	Operating Temp. Range	Max. Operating Current	Resistance Range (mΩ)			TCR (PPM/°C)
				±1%	±2%	±5%	
CS02 (0402)	1/16W	-55 ~ +155°C	1.11A	50 - 100 102 - 500 510 - 1000			±400 ±300 ±200
CS03 (0603)	1/10W		2.23A	20 - 50 51 - 100 102 - 300 301 - 1000			±600 ±400 ±300 ±200
CS05 (0805)	1/8W		2.50A	20 - 50 51 - 100 102 - 196 200 - 1000			±600 ±400 ±300 ±200
CS06 (1206)	1/4W		5.00A	10 - 20 21 - 50 51 - 91 100 - 1000			±600 ±400 ±300 ±200
CS13 (1210)	1/2W		7.07A				
CS10 (2010)	3/4W		8.66A				
CS12 (2512)	1W		10.0A				
CS25 (1225)	3W		31.6A	3 - 5 6 - 20 21 - 30 33 - 8000			±300 ±200 ±150 ±100
CS37 (3720)	1W		10.0A	10 - 18 20 - 500			±300 ±150
CS75 (7520)	2W		44.7A	—	1 - 4		±300
		5 - 10 11 - 350		±200 ±150			

High Power & Ultra High Rating Electrical Specifications

Type \ Item	Power Rating at 70°C	Operating Temp. Range	Max. Operating Current	Resistance Range (mΩ)			TCR (PPM/°C)
				±1%	±2%	±5%	
CS02 (0402)	1/8W	-55 ~ +155°C	1.58A	50 - 100 102 - 500 510 - 1000			±400 ±300 ±200
CS03 (0603)	1/8W		1.58A				
	1/5W		1.58A				
CS05 (0805)	1/4W 1/2W		2.23A	50 - 91 100 - 1000			±300 ±200
CS06 (1206)	1/2W		3.16A				
CS13 (1210)	3/4W		3.87A				
CS10 (2010)	1W		4.47A				
CS12 (2512)	1.5W		5.47A				
CS12 (2512)	*2W	6.32A					

*: Ultra High Power

Low TCR Electrical Specifications

Type \ Item	Power Rating at 70°C	Operating Temp. Range	Max. Operating Current	Resistance Range (mΩ)			TCR (PPM/°C)
				±1%	±2%	±5%	
CS05 (0805)	1/8W	-55 ~ +155°C	1.11A	100 - 1000			±100
CS06 (1206)	1/4W		1.58A	100 - 1000			±100
CS13 (1210)	1/2W		2.58A	75 - 1000			±100
CS10 (2010)	3/4W		3.87A	50 - 1000			±100
CS12 (2512)	1W		4.47A	50 - 1000			±100
CS12 (2512)	2W		6.32A	50 - 1000			±100
CS37 (3720)	1W		3.16A	100 - 500			±100
CS75 (7520)	2W		6.32A	50 - 350			±100

Operating Voltage= $\sqrt{P \cdot R}$; Overload Voltage= $2.5 \cdot \sqrt{P \cdot R}$; Operating Current= $\sqrt{P/R}$

■ Viking is capable of manufacturing the optional spec based on customer's requirement.

Environmental Characteristics

Item	Requirement	Test Method
Temperature Coefficient of Resistance (T.C.R.)	As Spec.	JIS C 5201-1 4.8 IEC 60115-1 4.8 At 25°C/-55°C and 25°C/+125°C, 25°C is the reference temperature
Short Time Overload	±(0.5%+0.05Ω)	JIS C 5201-1 4.13 IEC 60115-1 4.13 RCWV*2.5 or Max. Overload Voltage whichever is lower for 5 seconds
	±(1.0%+0.05Ω) for high power rating	
Insulation Resistance	≥ 10G	JIS C 5201-1 4.6 IEC 60115-1 4.6 Max. Overload Voltage for 1 minute
Operational Life	±(1.0%+0.05Ω)	MIL-STD-202 Method 108 Condition D Steady State TA=125°C at derated power. Measurement at 24±4 hours after test conclusion.
Biased Humidity	±(1.0%+0.05Ω)	MIL-STD-202 Method 103 1000 hrs 85°C/85%RH 10% of operating power.
High Temperature Exposure	±(0.5%+0.05Ω)	MIL-STD-202 Method 108 at +155°C for 1000 hrs
Board Flex	±(1.0%+0.05Ω)	AEC-Q200-005 Bending once for 60 seconds 2010, 2512 sizes: 2mm Other sizes: 3mm
Solderability	95% min. coverage	JIS C 5201-1 4.17 IEC 60115-1 4.17 J-STD-002 245±5°C for 3 seconds
Resistance to Soldering Heat	±(0.5%+0.05Ω)	MIL-STD-202 Method 210 260±5°C for 10 seconds
Voltage Proof	No breakdown or flashover	JIS C 5201-1 4.7 IEC 60115-1 4.7 1.42 times Max. Operating Voltage for 1 minute CS01:50V; CS02:100V; CS03:150V; CS05:300V CS06/13/10/25/37/75/62:400V; CS12:500V

Item	Requirement	Test Method
Leaching	Individual leaching area $\leq 5\%$ Total leaching area $\leq 10\%$	JIS C 5201-1 4.18 IEC 60068-2-58 8.2.1 260±5°C for 30 seconds
Temperature Cycling	$\pm(0.5\%+0.05\Omega)$	JESD22 Method JA-104 -55°C to +125°C, 1000 cycles
Mechanical Shock	$\pm(0.25\%+0.05\Omega)$	MIL-STD-202 Method 213 Wave Form: Tolerance for half sine shock pulse. Peak value is 100g's. Normal duration (D) is 6.
Vibration	$\pm(0.5\%+0.05\Omega)$	MIL-STD-202 Method 204 5 g's for 20 min., 12 cycles each of 3 orientations, 10-2000 Hz
ESD	$\pm(1\%+0.05\Omega)$	AEC-Q200-002 Human body, 2KV
Resistance to Solvents	No visible damage on appearance and marking.	MIL-STD-202 Method 215 Add Aqueous wash chemical - OKEM Clean or equivalent. Do not use banned solvents.
Terminal Strength	No broken	AEC-Q200-006 Force of 1.8kg for 60 seconds.
Flammability	No ignition of the tissue paper or scorching or the pinewood board	UL-94 V-0 or V-1 are acceptable. Electrical test not required.
Sulfur Test	$\pm(0.5\%+0.05\Omega)$	EIA-977 (Condition A) 60±2°C, no power rating for 500 hrs.

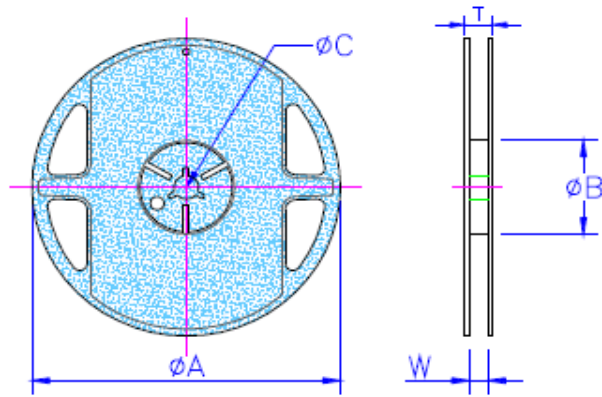
RCWV(Rated Continuous Working Voltage)= $\sqrt{P \cdot R}$ or Max. Operating Voltage whichever is lower.

■ **Storage Temperature: 15~28°C; Humidity < 80%RH**

■ **Shelf Life: 2 years from production date.**

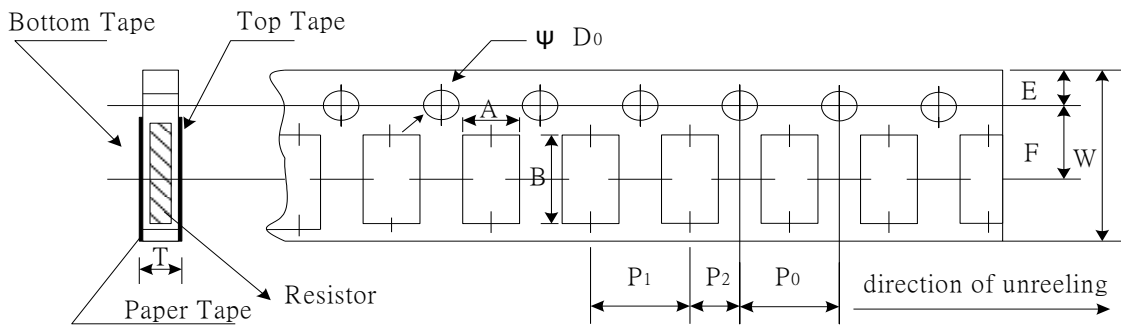
■Packaging

Packaging Quantity & Reel Specifications



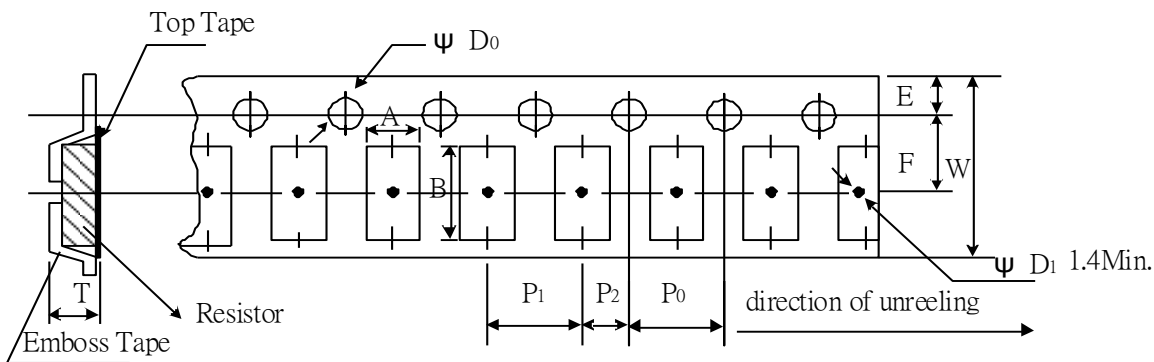
Type	ϕA (mm)	ϕB (mm)	ϕC (mm)	W (mm)	T (mm)	Paper Tape (EA)	Emboss Plastic Tape (EA)
CS02	178.0±1.0	60.0+1.0	13.5±0.7	9.5±0.1	11.5±1.0	10,000	-
CS03	178.0±1.0	60.0+1.0	13.5±0.7	9.5±0.1	11.5±1.0	5,000	-
CS05	178.0±1.0	60.0+1.0	13.5±0.7	9.5±0.1	11.5±1.0	5,000	-
CS06	178.0±1.0	60.0+1.0	13.5±0.7	9.5±0.1	11.5±1.0	5,000	-
CS13	178.0±1.0	60.0+1.0	13.5±0.7	9.5±0.1	11.5±1.0	5,000	
CS10	178.0±1.0	60.0+1.0	13.5±0.7	13.5±1.0	15.5±1.0	-	4,000
CS12	178.0±1.0	60.0+1.0	13.5±0.7	13.5±1.0	15.5±1.0	-	4,000
CS12 (2W)	178.0±1.0	60.0+1.0	13.5±0.7	13.5±1.0	15.5±1.0	-	2,000
CS25	178.0±1.0	60.0+1.0	13.5±0.7	13.5±1.0	15.5±1.0	-	2,000
CS37	178.0±1.0	60.0+1.0	13.5±0.7	13.5±1.0	15.5±1.0	-	2,000
CS75	178.0±1.0	60.0+1.0	13.5±0.7	17.5±1.0	19.5±1.0	-	2,000

Paper Tape Specifications



Type	A (mm)	B (mm)	W (mm)	E (mm)	F (mm)	P ₀ (mm)	P ₁ (mm)	P ₂ (mm)	ΦD ₀ (mm)	T (mm)
CS02	0.65±0.10	1.15±0.10	8.0±0.20	1.75±0.10	3.50±0.05	4.00±0.10	2.00±0.05	2.00±0.05	1.50+0.1,-0	0.45±0.10
CS03	1.10±0.10	1.90±0.10	8.0±0.20	1.75±0.10	3.50±0.05	4.00±0.10	4.00±0.05	2.00±0.05	1.50+0.1,-0	0.70±0.10
CS05	1.60±0.10	2.40±0.20	8.0±0.20	1.75±0.10	3.50±0.05	4.00±0.10	4.00±0.05	2.00±0.05	1.50+0.1,-0	0.85±0.10
CS06	1.90±0.10	3.50±0.20	8.0±0.20	1.75±0.10	3.50±0.05	4.00±0.10	4.00±0.05	2.00±0.05	1.50+0.1,-0	0.85±0.10
CS13	2.90±0.10	3.50±0.20	8.0±0.20	1.75±0.10	3.50±0.05	4.00±0.10	4.00±0.05	2.00±0.05	1.50+0.1,-0	0.85±0.10

Emboss Plastic Tape Specifications



Type	A (mm)	B (mm)	W (mm)	E (mm)	F (mm)	P ₀ (mm)	P ₁ (mm)	P ₂ (mm)	ΦD ₀ (mm)	T (mm)
CS10	2.80±0.10	5.40±0.20	12.0±0.30	1.75±0.10	5.5±0.05	4.00±0.05	4.00±0.10	2.00±0.05	1.50+0.10	1.00±0.20
CS12	3.50±0.10	6.70±0.10	12.0±0.30	1.75±0.10	5.5±0.05	4.00±0.05	4.00±0.10	2.00±0.05	1.50+0.10	1.00±0.20
CS12 (2W)	3.38±0.10	6.68±0.10	12.0±0.30	1.75±0.10	5.5±0.10	4.00±0.10	4.00±0.10	2.00±0.05	1.55+0.05	1.45±0.20
CS25	3.38±0.10	6.68±0.10	12.0±0.30	1.75±0.10	5.5±0.10	4.00±0.10	4.00±0.10	2.00±0.05	1.55+0.05	1.45±0.20
CS37	2.50±0.20	4.45±0.20	12.0±0.30	1.75±0.10	5.5±0.05	4.00±0.05	4.00±0.10	2.00±0.05	1.50+0.10	1.20±0.20
CS75	2.50±0.20	8.30±0.20	16.0±0.30	1.75±0.10	7.8±0.05	4.00±0.05	4.00±0.10	2.00±0.05	1.50+0.10	1.20±0.20

■ Marking

No Marking for 0402

1%, 5% for 0805/1206/1210/2010/2512/1225/3720/7520: 4 digits marking

Example:

Resistance	47mΩ	75mΩ	15mΩ	750mΩ	820mΩ
Marking	R047	R075	R015	R750	R820

5% for 0603: 3 digits marking in E24

1% for 0603: 3 digits marking with under-line in E96 (non-including E24 series)



3 digits marking for E24 or R value suffix is zero in E96: R10=100mΩ; R28=280mΩ



3 digits marking for E96: 243=243mΩ; 511=511mΩ

REVISION HISTORY

REVISION	DATE	CHANGE NOTIFICATION	DESCRIPTION
Version A3	Jun 03, 2014	-	- Electrical Specifications updated - CS25 Pad Layout updated
Version A4	Apr 30, 2015	-	- Environmental Characteristics updated
Version A5	Jul 15, 2016	-	- Remove Material Description - Modify Storage Temperature - CS12 Pad Layout updated
Version A6	Jan 12, 2018	-	- Modify 1225 Dimension L, W - Environmental Characteristics updated
Version A7	May 20, 2019	-	- Modify TCR Test description - Features added 100% CCD inspection - Electrical Specifications updated
Version A8	Mar 23, 2020	-	- Environmental Characteristics : Added test voltage for Voltage Proof
Version A9	Mar 10, 2021	-	- Modify 2010 Embossed Plastic Tape B Specification - Modify Soldering Condition (IPC/JEDEC J-STD-020)
Version B	Nov 15, 2021	-	- Increase the shelf life description
Version B1	Feb 15, 2022	-	- Derating Curve changes the temperature range
Version B2	May 18, 2022	-	- Add 0805 1/2W high power production range
Version B3	Jun 15, 2022	-	- Modify Soldering Condition