

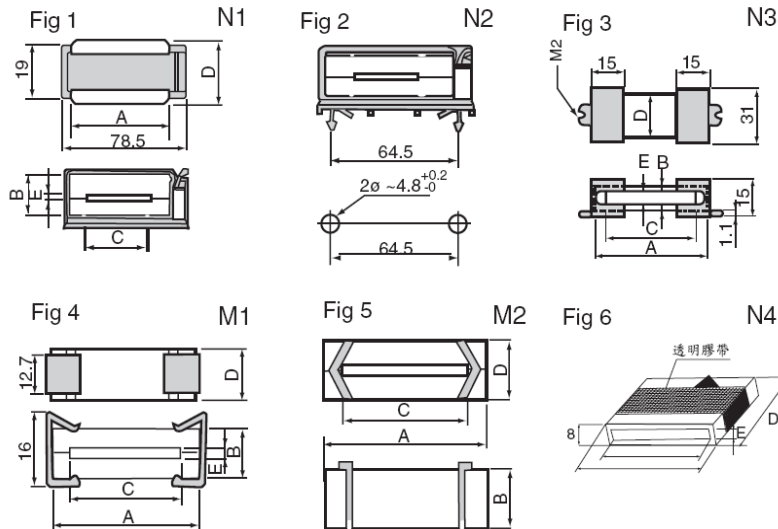
# EMI Suppressor Clip Ferrite Cores (for Flat Cable)



K5A RPS 63.5 X 6.35 X 28.5 N1  
 (1) (2) (3) (4) (5) (6)

(1) Material (6) CLIP:N1 - Nylon Clamp  
 (2) Type Code N2 - Nylon Clamp  
 (3) A : Dia N3 - Nylon Clamp  
 (4) B : Dia M1 - Metal Clamp  
 (5) D : Dia M2 - Wire Clamp

## ● Shapes



## ● Dimensions (Core Size) & Characteristics

NO	ITEM	Fig	A	B	C	D	E	IMPEDANCE (Ω) min.		(Z,RS,XL) -f Curve Fig.
								25MHz	100MHz	
								Unit: mm		
1	RPS 16X5X8 N4	6	16±0.3	5.0±0.3	11.5±0.3	8.0±0.2	0.5 <sup>+0.6</sup> <sub>-0.1</sub>	25	80	1
2	RPS 16X5X12 N4	6	16±0.3	5.0±0.3	11.5±0.3	12.0±0.3	0.5 <sup>+0.6</sup> <sub>-0.1</sub>	25	80	2
3	RPS 17X2.5X15 N4	6	17±0.2	2.5±0.2	13.0±0.15	15.0±0.2	0.4±0.1	20	55	3
4	RPS 25X5X10 N4	6	25±0.5	5.0±0.3	21.0±0.5	10.0±0.4	1.1±0.2	20	50	4
5	RPS 28.5X6.5X18 N4	6	28.5±0.6	6.5±0.4	23.5±0.5	18.0±0.6	1.0±0.3	35	95	5
6	RPS 33.5X6.5X12 N4	6	33.5±0.9	6.5±0.5	27.0±0.6	12.0±0.5	1.4±0.4	25	65	6
7	RPS 38X12.7X15M2	5	38±1	12.7±0.5	26.6±0.7	15.0±0.4	1.6±0.4	40	115	7
8	RPS 38X12.7X25.4M1	4	38±1	12.7±0.5	26.6±0.7	25.4±0.7	1.6±0.4	75	140	8
9	RPS 40X6.5X12 N4	6	40.0±1.0	6.5±0.5	35.0±0.7	12.0±0.5	1.4±0.4	25	72	9
10	RPS 45X12.7X15M2	5	45±1	12.7±0.5	34.4±0.7	15±0.4	1.6±0.4	40	90	10
11	RPS 45X12.7X28.5M1	4	45±1	12.7±0.5	34.4±0.7	28.5±0.7	1.6±0.4	70	140	11
12	RPS 45X12.7X28.5N3	3	45±1	12.7±0.5	34.4±0.7	28.5±0.7	1.6±0.4	70	140	12
13	RPS 49.6X6.5X12 N4	6	49.6±1.0	6.5±0.5	44.0±0.8	12.0±0.5	1.4±0.4	28	75	13
14	RPS 55.1X12.7X15M2	5	55.1±1	12.7±0.5	43.7±1	15±0.4	1.6±0.4	40	105	14
15	RPS 55.1X12.7X28.5M1	4	55.1±1	12.7±0.5	43.7±1	28.5±0.7	1.6±0.4	65	140	15
16	RPS 55.1X12.7X28.5N3	3	55.1±1	12.7±0.5	43.7±1	28.5±0.7	1.6±0.4	65	140	16
17	RPS 63.5X12.7X15M2	5	63.5±1.2	12.7±0.5	52±1	15±0.4	1.6±0.4	40	95	17
18	RPS 63.5X12.7X28.5M1	4	63.5±1.2	12.7±0.5	52±1	28.5±0.7	1.6±0.4	60	150	18
19	RPS63.5X12.7X28.5N1	1	63.5±1.2	12.7±0.5	52±1	28.5±0.7	1.6±0.4	60	150	19
20	RPS 63.5X12.7X28.5N2	2	63.5±1.2	12.7±0.5	52±1	28.5±0.7	1.6±0.4	60	150	20
21	RPS 63.5X12.7X28.5N3	3	63.5±1.2	12.7±0.5	52±1	28.5±0.7	1.6±0.4	60	150	21

# EMI Suppressor Clip Ferrite Cores (for Flat Cable)



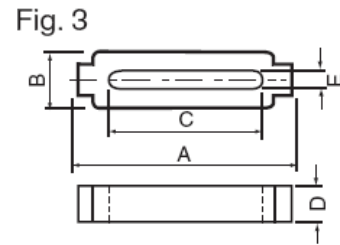
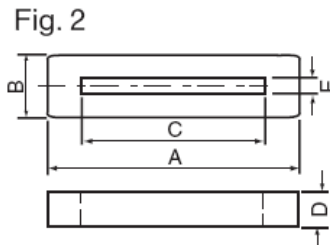
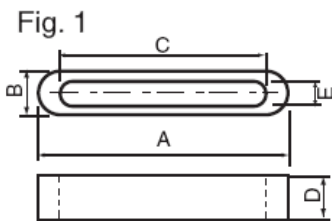
## ● Ordering Code

$\frac{RP}{(1)}$   $\frac{31}{(2)}$  X  $\frac{5}{(3)}$  X  $\frac{12}{(4)}$

(1) Type Code  
 (2) A Size

(3) B Size  
 (4) D Size

## ● Shapes



## ● Dimensions (Core Size) & Characteristics

Unit: mm

NO	ITEM	Fig	A	B	C	D	E	IMPEDANCD ( $\Omega$ ) min.		(Z,RS,XL) -f Curve Fig.
								25MHz	100MHz	
1	RP 13.5X2.75X15	1	13.5 $\pm$ 0.3	2.75 $\pm$ 0.3	11.0 $\pm$ 0.3	15.0 $\pm$ 0.4	0.7 $\pm$ 0.3	20	65	1
2	RP 16X4.5X12	1	16 $\pm$ 0.3	4.5 $\pm$ 0.3	11.5 $\pm$ 0.3	12.0 $\pm$ 0.5	0.5 $\begin{smallmatrix} +0.6 \\ -0.1 \end{smallmatrix}$	30	80	2
3	RP 16X5X8 E=0.5	1	16 $\pm$ 0.3	5.0 $\pm$ 0.3	11.5 $\pm$ 0.3	8.0 $\pm$ 0.2	0.5 $\begin{smallmatrix} +0.6 \\ -0.1 \end{smallmatrix}$	38	90	3
4	RP 16X5X8 E=1.3	1	16 $\pm$ 0.3	5.0 $\pm$ 0.3	11.5 $\pm$ 0.3	8.0 $\pm$ 0.2	1.3 $\pm$ 0.2	20	50	4
5	RP 16X5X12 E=0.5	1	16 $\pm$ 0.3	5.0 $\pm$ 0.3	11.5 $\pm$ 0.3	12.0 $\pm$ 0.5	0.5 $\begin{smallmatrix} +0.6 \\ -0.1 \end{smallmatrix}$	30	70	5
6	RP 16X5X12 E=1.3	1	16 $\pm$ 0.3	5.0 $\pm$ 0.3	11.5 $\pm$ 0.3	12.0 $\pm$ 0.5	1.3 $\pm$ 0.2	30	65	6
7	RP 16X5X20 E=0.5	1	16 $\pm$ 0.4	5.0 $\pm$ 0.3	11.5 $\pm$ 0.4	20.0 $\pm$ 0.5	0.5 $\begin{smallmatrix} +0.6 \\ -0.1 \end{smallmatrix}$	45	90	7
8	RP 16X5X20 E=1.3	1	16 $\pm$ 0.4	5.0 $\pm$ 0.3	11.5 $\pm$ 0.4	20.0 $\pm$ 0.5	1.3 $\pm$ 0.2	45	90	8
9	RP 18X4.5X12	1	18 $\pm$ 0.4	4.5 $\pm$ 0.3	14.0 $\pm$ 0.4	12.0 $\pm$ 0.5	1.0 $\pm$ 0.3	47	98	9

Changshu TianYin Non-Ferrous Metals Co., Ltd.

## EMI Suppressor Clip Ferrite Cores (for Flat Cable)

NO	ITEM	Fig.	A	B	C	D	E	IMPEDANCD ( $\Omega$ ) min.		(Z,RS,XL) -f Curve Fig.
								25MHz	100MHz	
10	RP 18X5X8	1	18.0±0.4	5.0±0.3	14.0±0.4	8.0±0.4	1.0±0.3	24	55	10
11	RP 18X5X18	1	18.0±0.3	5.0±0.3	13.0±0.4	18.0±0.5	1.5±0.3	30	75	11
12	RP 19X4X15	1	19.0±0.4	4.0±0.3	13.5±0.6	15.0±0.4	1.52±0.3	20	60	12
13	RP 19X4.5X20	1	19.0±0.4	4.5±0.4	15.0±0.5	20.0±0.6	0.8±0.15	30	80	13
14	RP 19X6.5X12	1	19.0±0.4	6.5±0.2	13.45±0.3	12.0±0.3	1.5±0.15	30	60	14
15	RP 19X6.5X15	1	19.0±0.4	6.5±0.2	13.45±0.3	15.0±0.4	1.75±0.3	30	70	15
16	RP 20.5X3.5X10	1	20.5±0.5	3.5 <sup>+0.15</sup> <sub>-0.25</sub>	16.5±0.4	10.0±0.4	0.5 <sup>+0.6</sup> <sub>-0.1</sub>	20	65	16
17	RP 20.5X3.5X15	1	20.5±0.5	3.5 <sup>+0.15</sup> <sub>-0.25</sub>	16.5±0.4	15.0±0.4	0.5 <sup>+0.6</sup> <sub>-0.1</sub>	34	88	17
18	RP 22.35X7.75X19.05	2	22.35±0.51	7.75±0.38	14.0±0.4	19.05±0.64	1.5±0.25	68	120	18
19	RP 23.3X2.1X15	1	23.3±0.7	2.1 <sup>+0.10</sup> <sub>-0.20</sub>	20.0±0.5	15.0±0.6	0.5 <sup>+0</sup> <sub>-0.2</sub>	25	80	19
20	RP 23.3X3X5	1	23.3±0.7	3.0±0.3	20.0±0.5	5.0±0.4	0.9±0.3	12	45	20
21	RP 23.3X3X7	2	23.3±0.7	3.0±0.3	20.0±0.5	7.0±0.4	0.9±0.3	20	60	21
22	RP 23.3X5X7	1	23.3±0.7	5.0±0.3	20.0±0.5	7.0±0.4	0.9±0.3	15	50	22
23	RP 23.5X6.3X10	2	23.5±0.7	6.3±0.5	18.4±0.4	10.0±0.4	1.1±0.3	32	75	23
24	RP 23.5X6.3X15	2	23.5±0.7	6.3±0.5	18.4±0.4	15.0±0.4	1.1±0.3	35	80	24
25	RP 23.8X6.3X7	1	23.8±0.7	6.3±0.5	18.4±0.4	7.0±0.3	1.1±0.3	20	55	25
26	RP 23.8X6.3X15	1	23.8±0.7	6.3±0.5	18.4±0.4	15.0±0.4	1.1±0.3	30	80	26
27	RP 24.5X5X12	1	24.5±0.7	5.0 <sup>+0</sup> <sub>-0.7</sub>	20.0±0.5	12.0±0.5	0.8±0.3	25	70	27
28	RP 24.5X5X20	1	24.5±0.7	5.0±0.3	20.0±0.5	20.0±0.6	0.8±0.2	30	75	28
29	RP 25X5X5	1	25.0±0.7	5.0±0.3	21.0±0.5	5.0±0.3	1.2±0.2	15	55	29
30	RP 25X5X12	1	25.0±0.7	5.0±0.4	21.0±0.5	12.0±0.5	1.3±0.2	27	75	30
31	RP 25X7.7X24	1	25.0±0.7	7.7±0.5	18.0±0.4	24.0±0.8	0.9±0.3	80	200	31
32	RP 26X5X6	1	26.0±0.8	5.0±0.3	22.5±0.6	6.0±0.3	0.9±0.3	15	50	32
33	RP 28X3.5X15	1	28.0±0.8	3.5 <sup>+0.15</sup> <sub>-0.25</sub>	24.0±0.4	15.0±0.6	0.5 <sup>+0.2</sup> <sub>-0.15</sub>	30	88	33
34	RP 28X6.5X15	1	28.0±0.8	6.5±0.5	23.0±0.5	15.0±0.6	1.0±0.3	30	85	34

**Changshu TianYin Non-Ferrous Metals Co., Ltd.**

## EMI Suppressor Clip Ferrite Cores (for Flat Cable)

NO	ITEM	Fig.	A	B	C	D	E	IMPEDANCD ( $\Omega$ ) min.		(Z,RS,XL) -f Curve Fig.
								25MHz	100MHz	
35	RP 28X7.7X14.6	3	28.0±0.8	7.7±0.5	23.0±0.5	14.6±0.4	1.4±0.4	38	85	35
36	RP 28X7.7X22	3	28.0±0.8	7.7±0.5	23.0±0.5	22.0±0.6	1.4±0.4	45	90	36
37	RP 28X14X13		28.0±1.0	14±0.4	20.5±0.8	13.0±0.4	7.2±0.5	30	60	37
38	RP 28.5X3.8X12	1	28.5±0.8	3.8±0.3	24.5±0.8	12.0±0.5	1.0±0.3	15	65	38
39	RP 28.5X5X12	1	28.5±0.8	5.0±0.4	24.5±0.8	12.0±0.5	1.0±0.3	25	75	39
40	RP 28.5X6.5X8	1	28.5±0.8	6.5±0.5	23.5±0.5	8.0±0.4	1.0±0.3	15	40	40
41	RP 28.5X6.5X18	1	28.5±0.8	6.5±0.5	23.5±0.5	18.0±0.7	1.0±0.3	40	95	41
42	RP 28.5X8X10	1	28.5±0.8	8.0±0.5	21.0±0.5	10.0±0.4	2.0±0.4	28	67	42
43	RP 28.6X7.7X25	1	28.6±0.8	7.7±0.5	23.6±0.8	25.0±0.8	1.8±0.2	45	95	43
44	RP 28.6X7.7X31	1	28.6±0.8	7.7±0.5	23.6±0.8	31.0±0.8	1.8±0.2	55	105	44
45	RP 29X8X15	1	29.0±0.8	8.0±0.5	22.0±0.6	15.0±0.5	1.98±0.3	30	90	45
46	RP 31X5X9	1	31.0±0.8	5.0±0.4	27.0±0.6	9.0±0.4	0.5 <sup>+0.7</sup> <sub>-0.1</sub>	25	75	46
47	RP 31X5X12	1	31.0±0.8	5.0±0.4	27.0±0.6	12.0±0.5	0.5 <sup>+0.7</sup> <sub>-0.1</sub>	30	85	47
48	RP 31X5X22	1	31.0±0.8	5.0±0.4	27.0±0.6	22.0±0.6	0.5 <sup>+0.7</sup> <sub>-0.1</sub>	46	130	48
49	R3P 31X8.5X18 P2.34		31.0±0.8	8.5±0.5	27.5±0.6	18.0±0.5	0.65±0.3		125	49
50	RP 32X6.5X9.5	1	32.0±0.6	6.5±0.5	28.0±0.7	9.5±0.5	2.8±0.3	15	50	50
51	RP 32X8X9.7	1	32.0±0.6	8.0±0.5	25.0±0.6	9.7±0.5	1.0±0.3		80	51
52	RP 33.5X3.5X15	1	33.5±0.9	3.5±0.3	27.0±0.6	15.0±0.6	1.4±0.4	21	68	52
53	RP 33.5X4X12	1	33.5±0.9	4.0 <sup>+0</sup> <sub>-0.2</sub>	27.0±0.6	12.0±0.5	1.4±0.4	19	60	53
54	RP 33.5X4.5X15	1	33.5±0.9	4.5±0.2	27.0±0.6	15.0±0.6	1.4±0.4	20	60	54
55	RP 33.5X5X12	1	33.5±0.9	5.0±0.4	27.0±0.6	12.0±0.5	1.4±0.4	20	60	55
56	RP 33.5X6X12	1	33.5±0.9	6.0±0.5	30.0±0.8	12.0±0.5	1.1±0.4	25	65	56
57	RP 33.5X6.5X8	1	33.5±0.9	6.5±0.5	27.0±0.6	8.0±0.6	1.4±0.4	15	45	57
58	RP 33.5X6.5X10	1	33.5±0.9	6.5±0.5	27.0±0.6	10.0±0.6	1.4±0.4	24	65	58
59	RP 33.5X6.5X12	1	33.5±0.9	6.5±0.5	27.0±0.6	12.0±0.5	1.4±0.4	25	65	59

**Changshu TianYin Non-Ferrous Metals Co., Ltd.**

## EMI Suppressor Clip Ferrite Cores (for Flat Cable)

NO	ITEM	Fig.	A	B	C	D	E	IMPEDANCD (Ω) min.		(Z,RS,XL) -f Curve Fig.
								25MHz	100MHz	
60	RP 33.5X6.5X15	1	33.5±0.9	6.5±0.5	27.0±0.6	15.0±0.6	1.4±0.4	32	81	60
61	RP 33.5X6.5X20	1	33.5±0.9	6.5±0.5	27.0±0.6	20.0±0.6	1.4±0.4	35	85	61
62	RP 33.5X6.5X22	1	33.5±0.9	6.5±0.5	27.0±0.6	22.0±0.8	1.4±0.4	38	88	62
63	RP 33.5X7.4X10	1	33.5±0.9	7.4±0.5	27.0±0.6	10.0±0.5	2.2±0.4	20	60	63
64	RP 33.5X7.4X15	1	33.5±0.9	7.4±0.5	27.0±0.6	15.0±0.6	2.2±0.3	30	80	64
65	RP 37.7X6X15		37.7±0.9	6.0±0.5	33.7±0.6	15.0±0.6	0.85±0.2	35	90	65
66	RP 38.1X12X25.4	2	38.1±1.0	12.0±0.6	26.7±0.6	25.4±0.8	1.9±0.4	83	145	66
67	RP 38.5X4X12	1	38.5±0.8	4.0±0.3	34.5±0.6	12.0±0.5	0.87 <sup>+0.4</sup> <sub>-0.2</sub>	15	65	67
68	RP 40X4X12	1	40.0±1.0	4.0 <sup>+0.5</sup> <sub>-0.2</sub>	31.0±0.8	12.0±0.5	0.7 <sup>+0.5</sup> <sub>-0.2</sub>	20	65	68
69	RP 40X5X12	1	40.0±1.0	5.0±0.5	35.0±0.8	12.0±0.5	1.43±0.5	15	60	69
70	RP 40X6.5X6	1	40.0±1.0	6.5±0.5	35.0±0.7	6.0±0.3	1.4±0.4	16	50	70
71	RP 40X6.5X12	1	40.0±1.0	6.5±0.5	35.0±0.7	12.0±0.5	1.4±0.4	25	72	71
72	RP 40X6.5X18	1	40.0±1.0	6.5±0.5	35.0±0.7	18.0±0.6	1.4±0.4	25	70	72
73	RP 40X6.5X20	1	40.0±1.0	6.5±0.5	35.0±0.7	20.0±0.6	1.4±0.4	30	80	73
74	RP 40X6.5X22	1	40.0±1.0	6.5±0.5	35.0±0.7	22.0±0.6	1.4±0.4	35	85	74
75	RP 45.1X12.5X11	2	45.1±1.0	12.5±0.5	38.0±0.8	11.0±0.4	2.1±0.4	30	80	75
76	RP 45.1X12.5X28.6	2	45.1±1.0	12.5±0.5	34.5±0.8	28.6±0.8	1.5±0.5	80	165	76
77	RP 45.2X6.5X12	1	45.2±1.0	6.5±0.5	40.0±0.8	12.0±0.5	1.4±0.4	24	72	77
78	RP 46X5X8	1	46 <sup>+1.1</sup> <sub>-0.8</sub>	5.0 <sup>+0</sup> <sub>-0.8</sub>	41.5±0.8	8.0±0.3	0.5 <sup>+0.1</sup> <sub>-0</sub>	15	55	78
79	RP 46X5X12	1	46 <sup>+1.1</sup> <sub>-0.8</sub>	5.0 <sup>+0</sup> <sub>-0.8</sub>	41.5±0.8	12.0±0.5	0.5 <sup>+0.1</sup> <sub>-0</sub>		44	79
80	RP 49.6X4X12	1	49.6±1.0	4.0±0.2	44.0±0.8	12.0±0.5	1.4±0.4	19	63	80
81	RP 49.6X6.5X12	1	49.6±1.0	6.5±0.5	44.0±0.8	12.0±0.5	1.4±0.4	22	68	81
82	RP 49.6X6.5X25	1	49.6±1.0	6.5±0.5	44.0±0.8	25.0±0.6	1.4±0.4	30	90	82
83	RP 57.6X6.5X12	1	57.6±1.2	6.5±0.5	52.0±1.0	12.0±0.5	1.4±0.4	22	70	83
84	RP 57.9X7X12	1	57.9±1.2	7.0±0.5	52.0±1.0	12.0±0.5	1.3 <sup>+0.6</sup> <sub>-0</sub>	20	60	84

**Changshu TianYin Non-Ferrous Metals Co., Ltd.**