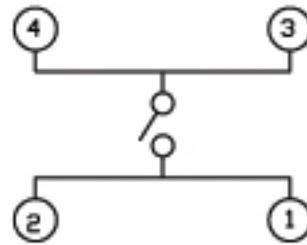
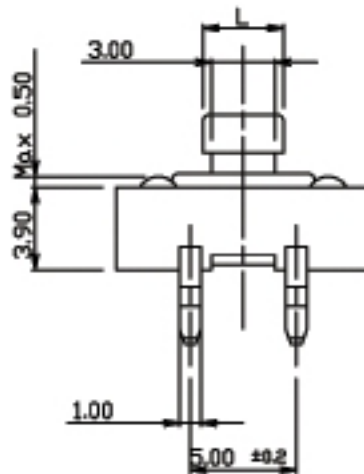
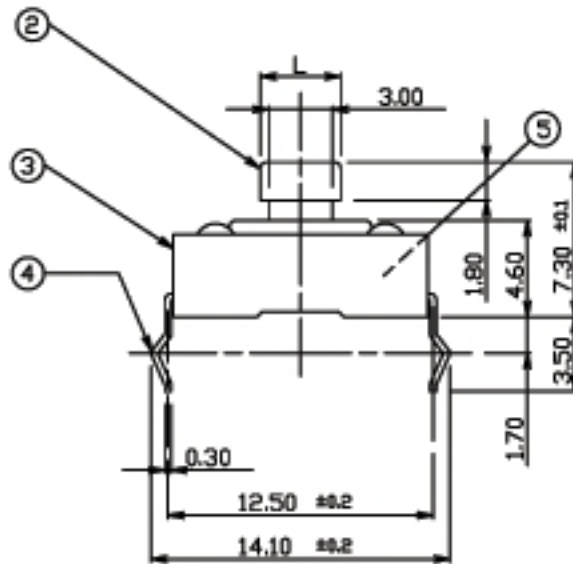
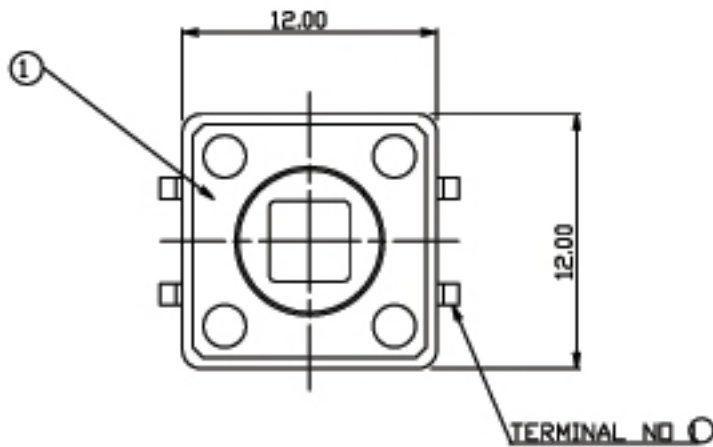
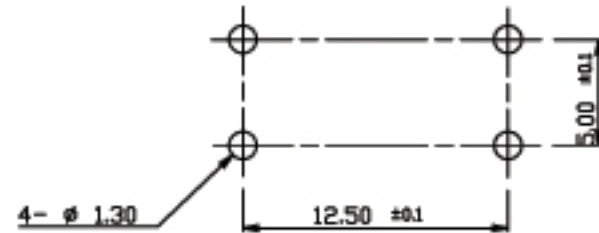


NO	PART NAME	Q'TY	MATERIAL	REMARK
1	COVER	1	PET FILM	
2	STEM	1	ACETAL	BLACK
3	CASE	1	PBT G30	BLACK
4	TERMINAL	1	C2680R-EH	Ag 0.5μ
5	CONTACT	1	CS210R-EH	Ag 0.5μ

CIRCUIT DIAGRAM



P.C.B DIMENSION



NOTE

1. RATING : DC 12V, 50mA
2. CONTACT RESISTANCE: 100mΩ Max
3. OPERATING FORCE: 160, 250±30gf
4. TRAVEL : 0.3±0.15 mm
5. GENERAL TOLERANCE: ±0.3

MODEL NO	L
1103T	<input type="checkbox"/> 3.0
1103TA	<input type="checkbox"/> 3.3

No.	PART NAME	Q'TY	MATERIAL	SIZE	TREAT.	REMARKS
▲			30 AMP RELAY	UNIT	SCALE	MODEL
▲			APPROVED	UNIT	1	1103T
▲			CHECKED	DESIGNED	SVGNAME	
▲					ASS'Y DIAGRAM	
					SVGNO.	
NO.	DATE	NOTE	SIGN			