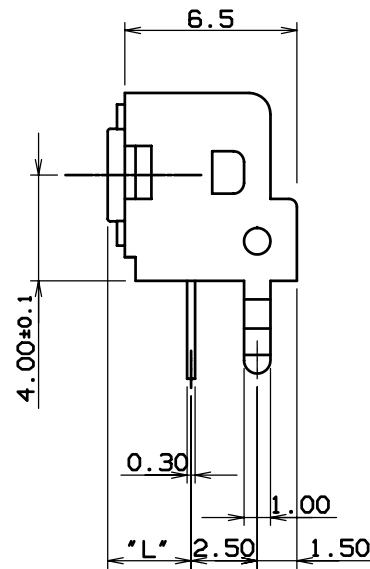
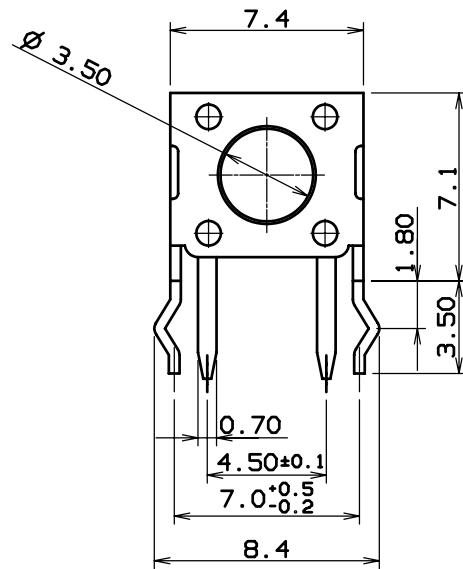


CIRCUIT DIAGRAM

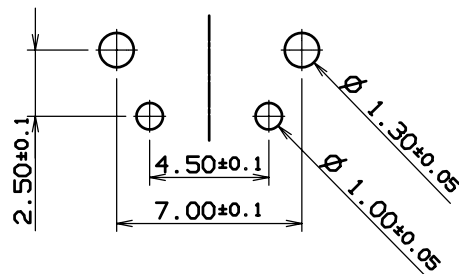


NO	PART NAME	Q'TY	MATERIAL	RAMARKS
①	CASE	1	NYLON66 G30	BLACK
②	STEM	1	NYLON66 G30	
③	BRACKET	1	SPTE	
④	TERMINAL	1	C2680R-EH	Ag0.5μ
⑤	CONTACT	1	C5210R-EH Ag clad 0.5μ	

MODEL	"L"
1102V	3.15
1102VA	3.85
1102VB	5.85
1102VC	6.85
1102VD	8.35
1102VE	6.15
1102VF	11.35
1102VG	12.35



P.C.B DIMENSION



NOTE

- OPERATING FORCE : 130,160 ± 30gf  
OR 250 ± 50gf
- TRAVEL : 0.25 +0.2/-0.1 mm
- CONTACT RESISTANCE : 100mΩ Max
- GENERAL TOLERANCE : ±0.3

No.	PART NAME	Q'TY	MATERIAL	SCALE	MODEL	TREAT.	REMARKS
④				3RD ANGLE PROJECTION	UNIT m/m		1102V SERIES
③				APPROVED	CHECKED	DESIGNED	DWG. NAME ASS'Y DIAGRAM
②							DWG. NO.
①							
NO.	DATE	NOTE	SIGN				