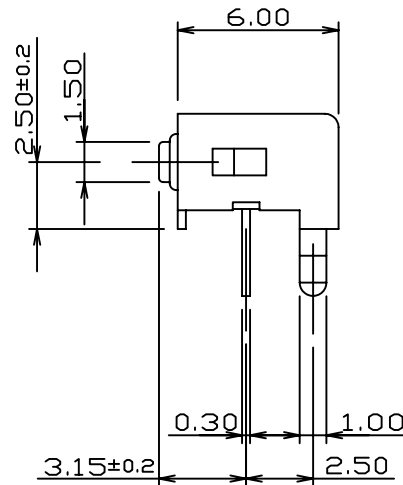
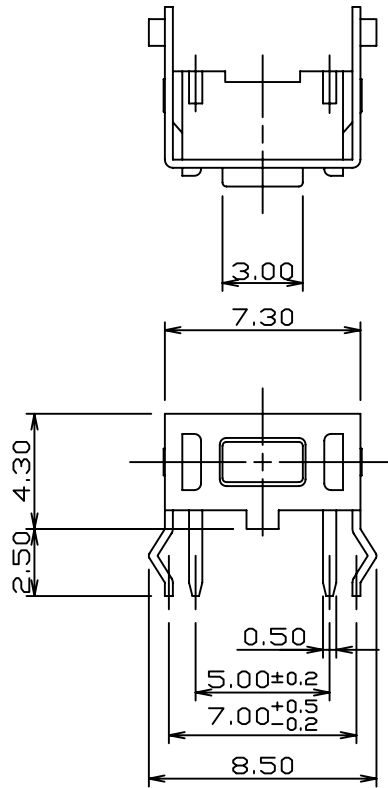
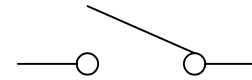


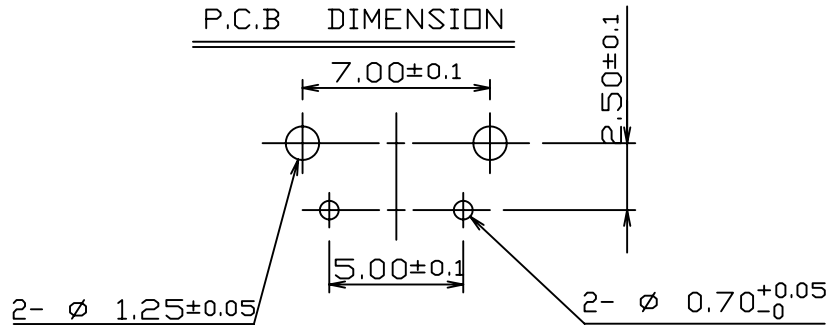
CIRCUIT DIAGRAM



NOTE

1. OPERATING FORCE : 180 ± 50 gf
2. TRAVEL : $0.25 +0.2/-0.1$ mm
3. CONTACT RESISTANCE : 100mΩ Max
4. GENERAL TOLERANCE : ± 0.3

P.C.B DIMENSION



NO	PART NAME	Q'TY	MATERIAL	REMARKS
①	CASE	1	NYLON66 G30	BLACK
②	STEM	1	NYLON66 G30	WHITE
③	COVER	1	SUS304-H	
④	TERMINAL	1	C2680R-EH	Ag0.5μ
⑤	CONTACTOR	1	SUS301-EH	Ag0.5μ

No.	PART NAME	Q'TY	MATERIAL	SCALE	MODEL	TREAT.	REMARKS
3RD ANGLE PROJECTION			UNIT m/m	SCALE	MODEL 1101V		
APPROVED			CHECKED	DESIGNED	DWG.NAME ASS'Y DIAGRAM		
					DWG.NO.		
NO.	DATE	NOTE	SIGN				