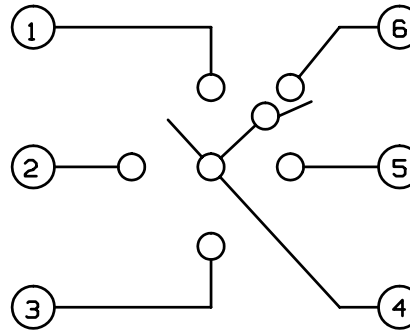
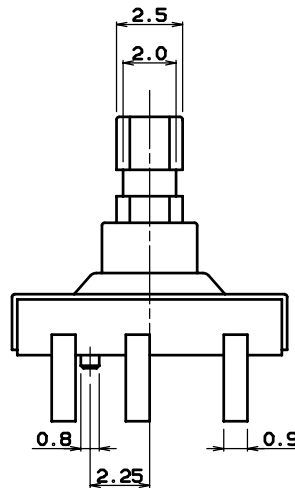
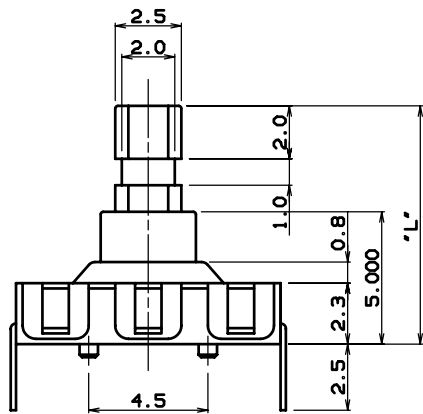
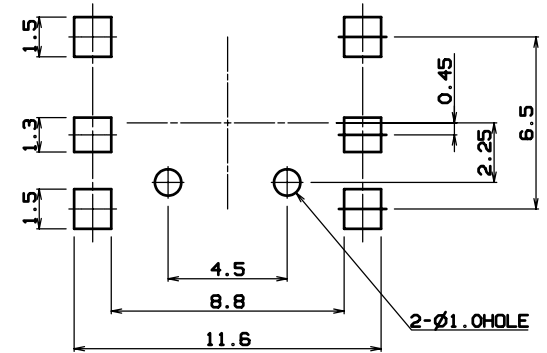


CIRCUIT DIAGRAM



CIRCUIT DIAGRAM



NOTE

1. OPERAING FORCE : 4-DIRECTION 160 ±30 , CENTER : 320 ±70
2. LIFE CYCLE : FOR EACH 50,000 CYCLE
3. RATING : MAX 50mA , 12V DC
4. STROKE (mm) : 4-DIRECTION 0.4 ±0.1 , CENTER : 0.2 ±0.1
5. CONTACT RESISTRANCE : 100mΩ MAX
6. FEATURE : MULTI THIN TYPE, REFLOW SOLDERING

| | A | B | C |
|------------|-----|-----|-----|
| "L" | 5mm | 7mm | 9mm |
| STEM SHAPE | | | |

| No. | PART NAME | Q'TY | MATERIAL | SCALE | MODEL | TREAT. | REMARKS |
|-----|-----------|------|----------|----------|------------|--------|---------------|
| | | | | 1 | 1500P TYPE | | |
| | | | | DESIGNED | DWG. NAME | | A'SSY DIAGRAM |
| | | | | | DWG. NO. | | |
| | | | | | | | |
| NO. | DATE | NOTE | SIGN | | | | |