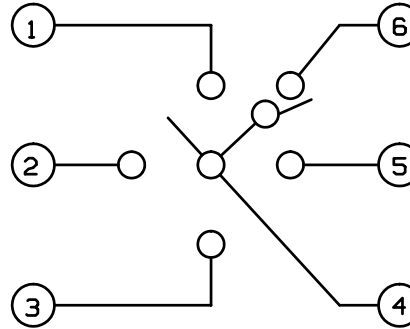
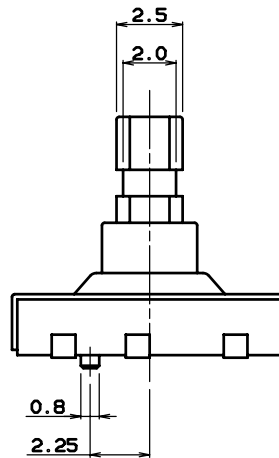
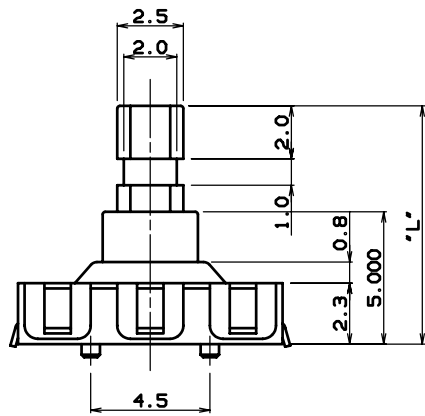
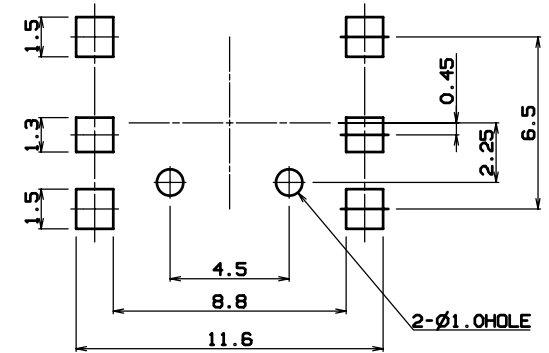


CIRCUIT DIAGRAM



CIRCUIT DIAGRAM



NOTE

1. OPERAING FORCE : 4-DIRECTION 160 ±30 , CENTER : 320 ±70
2. LIFE CYCLE : MIN 100,000
3. RATING : MAX 50mA , 12V DC
4. STROKE (mm) : 4-DIRECTION 0.4 ±0.1 , CENTER : 0.2 ±0.1
5. CONTACT RESISTRANCE : 100mΩ MAX
6. FEATURE : MULTI THIN TYPE, REFLOW SOLDERING

	A	B	C
"L"	5mm	7mm	9mm
STEM SHAPE			

No.	PART NAME	Q'TY	MATERIAL	S I Z E	TREAT.	REMARKS
NO.	DATE	NOTE	SIGN			

UNIT	SCALE	MODEL
m/m	1	1500 TYPE
DESIGNED		DWG. NAME
		A'SSY DIAGRAM
		DWG. NO.