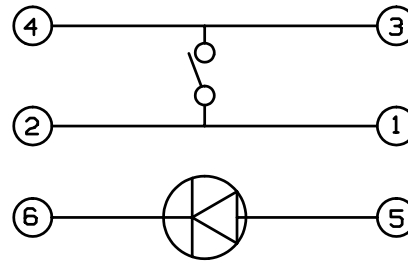
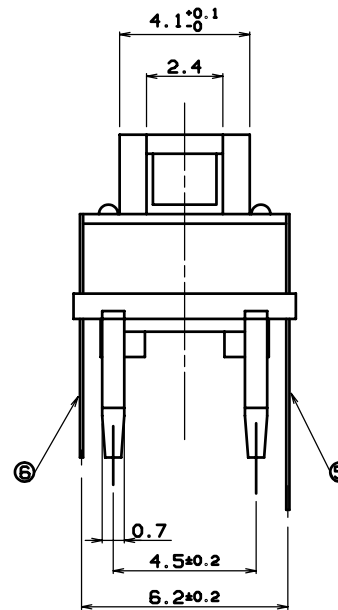
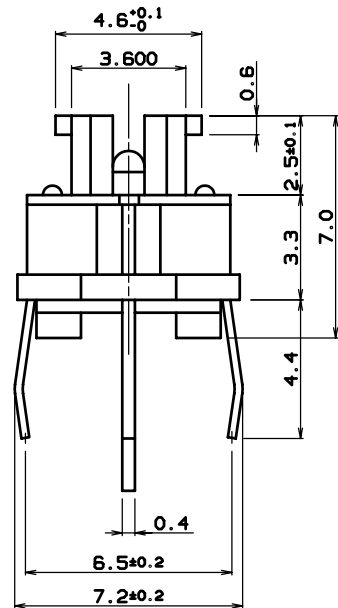
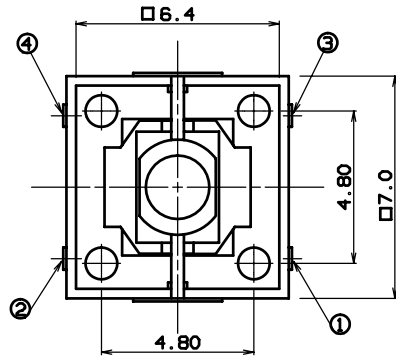
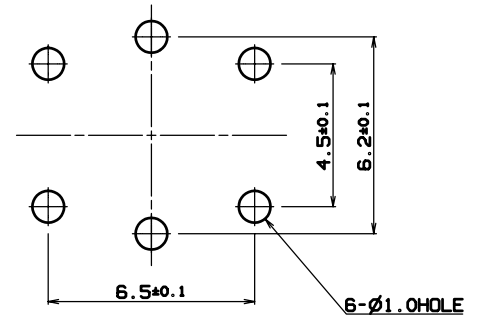


CIRCUIT DIAGRAM



P.C.B DIMENSION



NOTE

- 1.CONTACT : MECHANICAL CONTACT
- 2.RATING : DC 12V 50mA
- 3.TRAVEL : 0.25 mm
- 4.OPERATING FORCE : 160 ±30gf
- 5.CONTACT RESISTANCE : 100mΩ MAX
- 6.LIFE : 100,000 CYCLES MIN
7. WITH LED : OPTION

MODEL NO.	COLOR (LED)
1193R	RED
1193G	GREEN
1193Y	YELLOW

No.	PART NAME	Q'TY	MATERIAL	SIZE	TREAT.	REMARKS
③						3RD ANGLE PROJECTION APPROVED    CHECKED SCALE 1 MODEL 1193 SERIES DWG. NAME ASS'Y DIAGRAM DWG. NO.
④						
⑤						
⑥						
⑦						
NO.	DATE	NOTE	SIGN			