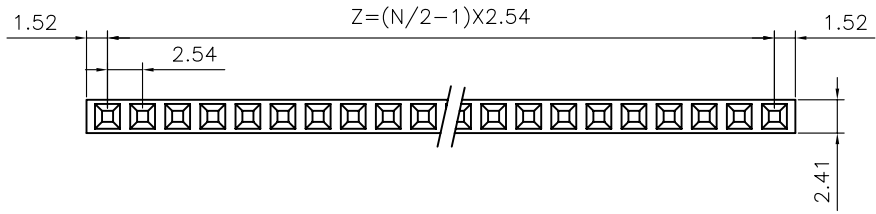


REV.	DESCRIPTION	DRAWN	CHECKED	APPROVED
A	NEW RELEASE	LJC 04/07/09'		



- NOTES:
- Material:  
Insulator: PBT With glass fiber. UL94 V-0.  
Contact: Copper alloy.
  - Electrical performance  
Current rating: 1.9A.  
Contact resistance: 20mΩ maximum.  
Insulation resistance: 1000MΩ minimum.  
Dielectric withstanding voltage: 500V AC(r.m.s) per 60s.
  - Environment performance:  
Temperature range: -55°C~+125°C.
  - Mechanical performance:  
Mating force: 150g per pin maximum.  
Withdrawal force: 30g per pin minimum.  
Press-In force: 8Kgf per maximum.
  - Recommend PCB thickness: 1.6mm
  - Product number code:

PC104-010 - XX X X X

DIM type(see table A):  
1: Type 1  
2: Type 2

Contact plating:  
1: Selective 10u"gold(contact area)  
2: Selective 20u"gold(contact area)  
3: Selective 30u"gold(contact area)  
6: Full Matt Tin(General Mode)

Color:  
B: Black  
A: Gray

No. of positions:  
1\*2 - 1\*40

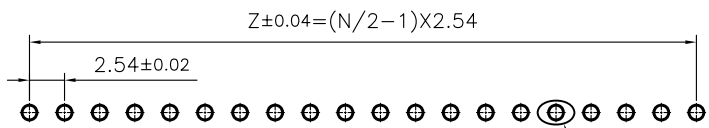
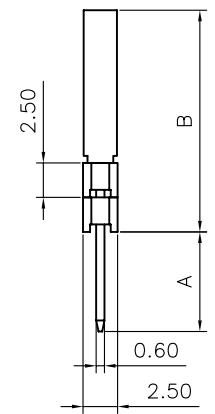
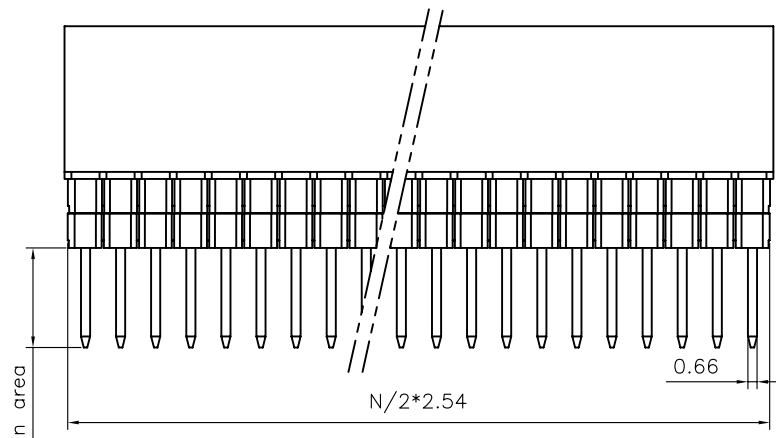
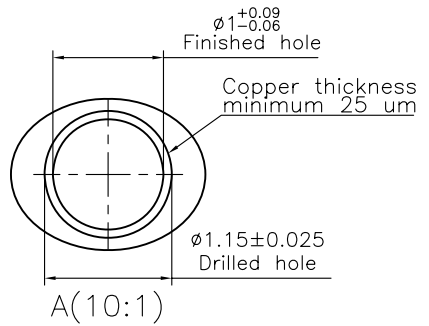


table A:

Type	A	B	Spacer Q'ty
1	7.11	16.13	2
2	9.65	13.59	1
3			
4			
5			
6			

Recommend PCB layout suggested hole size see detail A



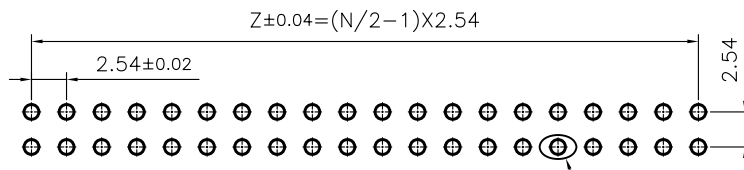
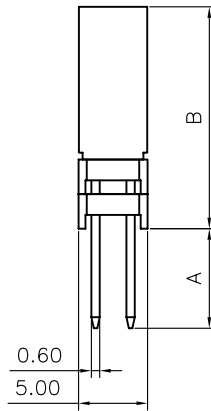
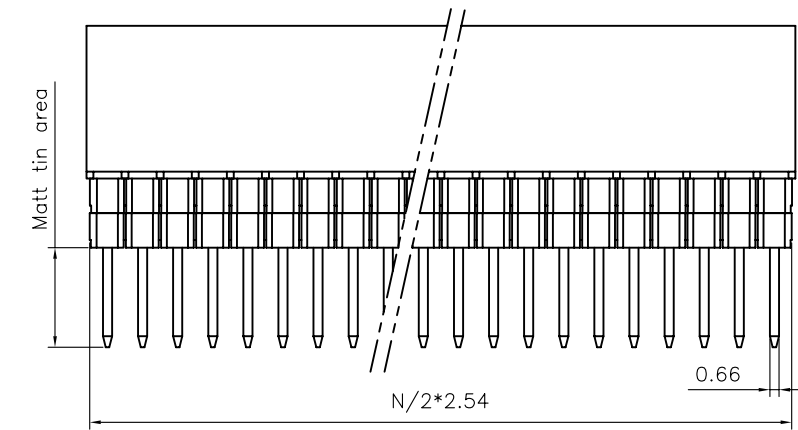
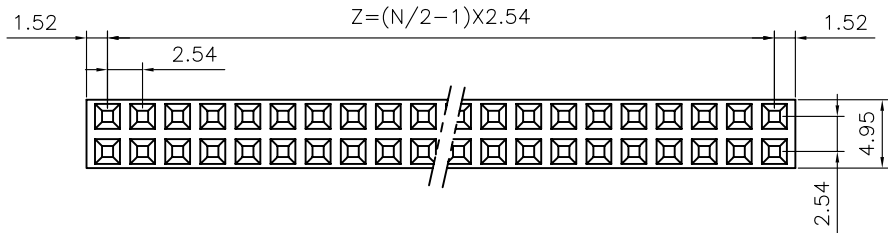
GENERAL TOLERANCE		ANGLE TOLERANCE	
X.	±0.60	X.	±5°
.X	±0.38	.X	±3°
.XX	±0.25	.XX	±2°

PROJECTION	TITLE	PC/104 Stack Single Row V/T Type	
mm		SHEET SIZE	A4
		SERIES	PC104-010 SERIES

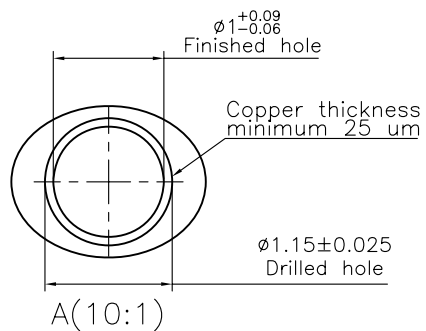
DRAWING TYPE	CUSTOMER		
SCALE	1:1	SHEET	1 OF 1
DRAWING NO.	C-PC104-010-XXXXX		

晨翔电子有限公司  
**CONNFLY CONNFLY ELECTRONIC CO. LTD**

REV.	DESCRIPTION	DRAWN	CHECKED	APPROVED
A	NEW RELEASE	LJC 04/07/09'		



Recommend PCB layout suggested hole size see detail A



NOTES:

- Material:  
Insulator: PBT With glass fiber. UL94 V-0.  
Contact: Copper alloy.
- Electrical performance  
Current rating: 1.9A.  
Contact resistance: 20mΩ maximum.  
Insulation resistance: 1000MΩ minimum.  
Dielectric withstanding voltage: 500V AC(r.m.s) per 60s.
- Environment performance:  
Temperature range: -55°C~+125°C.
- Mechanical performance:  
Mating force: 150g per pin maximum.  
Withdrawal force: 30g per pin minimum.  
Press-In force: 8Kgf per maximum.
- Recommend PCB thickness: 1.6mm
- Product number code:

PC104-011 - XX X X X

DIM type(see table A):  
1: Type 1  
2: Type 2

Contact plating:  
1: Selective 10u"gold(contact area)  
2: Selective 20u"gold(contact area)  
3: Selective 30u"gold(contact area)  
6: Full Matt Tin(General Mode)

Color:  
B: Black  
A: Gray

No. of positions:  
2\*2 - 2\*40


table A:

Type	A	B	Spacer Q'ty
1	7.11	16.13	2
2	9.65	13.59	1
3			
4			
5			
6			

GENERAL TOLERANCE		ANGLE TOLERANCE	
X.	±0.60	X.	±5°
.X	±0.38	.X	±3°
.XX	±0.25	.XX	±2°

DRAWING TYPE	CUSTOMER		
SCALE	1:1	SHEET	1 OF 1
DRAWING NO.	C-PC104-011-XXXXX		

PROJECTION	TITLE	PC/104 Stack Dual Row V/T Type	
UNITS	mm	SERIES	PC104-011 SERIES

 晨翔电子有限公司  
CONNFLY CONNFLY ELECTRONIC CO. LTD