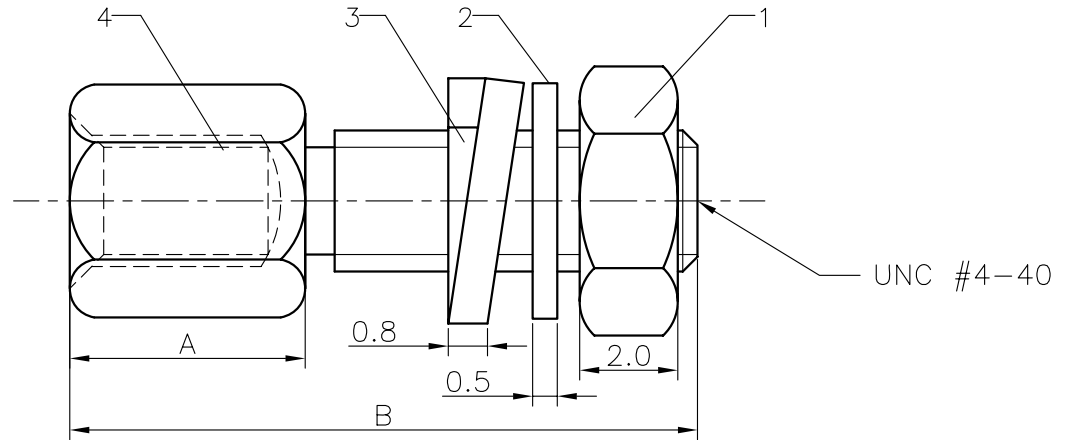
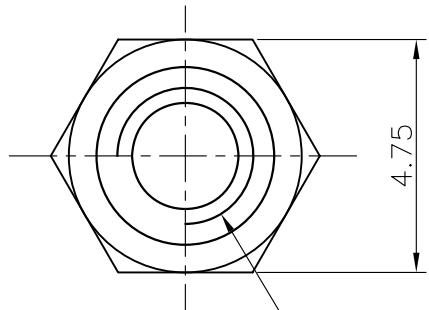


REV.	DESCRIPTION	DRAWN	CHECKED	APPROVED
A	NEW RELEASE	LL 01/22/07'	~	LJC 01/22/07'
B	整理图画	YCH 07/12/07'	~	LJC 07/12/07'
C	加长度规格	YCH 07/16/08'	~	



NOTES:

- 1. Plating: Nickel
- 2. Product Number Code

DS1045-01 - X X X

Components support:

- 1: W/O screw 1
- 2: W/O washer 2
- 3: W/O split washer 3
- 4: standard (W/ 1 2 3)
- 5: W/O washer 2 and split washer 3
- X: W/O 1 2 3

Dim. A type:

- 0480: 4.80mm
- 0580: 5.80mm

Dim. B type:

- 1180: 11.8mm
- 1200: 12.0mm
- 1280: 12.8mm
- 1780: 17.8mm
- 1570: 15.7mm
- 1880: 18.8mm
- 1000: 10.0mm

					GENERAL TOLERANCE		ANGLE TOLERANCE		PROJECTION		TITLE	SCREW ASSEMBLY	
4	BOLT		Steel	NICKEL	X.	±0.50	X.	±2°	UNITS	mm			
3	SPLIT WASHER	W-C0550-0080-2	Steel	NICKEL	.X	±0.38	.X	±1°	SHEET SIZE	A4	SERIES	DS1045-01 SERIES	
2	WASHER	W-C0550-0050-1	Steel	NICKEL	.XX	±0.25	.XX	±0.5°	晨翔电子有限公司 CONNFLY CONNFLY ELECTRONIC CO., LTD				
1	NUT	N-L0475-0200-04	Steel	NICKEL	DRAWING TYPE		CUSTOMER						
ITEM	PART NAME	PART NO.	MATERILAS	FINISHED	DRAWING NO.		C-DS1045-01-XXX-C						

REV.	DESCRIPTION	DRAWN	CHECKED	APPROVED
A	NEW RELEASE	YCH 08/22/07'	~	YCH 08/22/07'
B	REMOVE TYPE 1 SPEC.	LJC 06/02/11'		

NOTES:

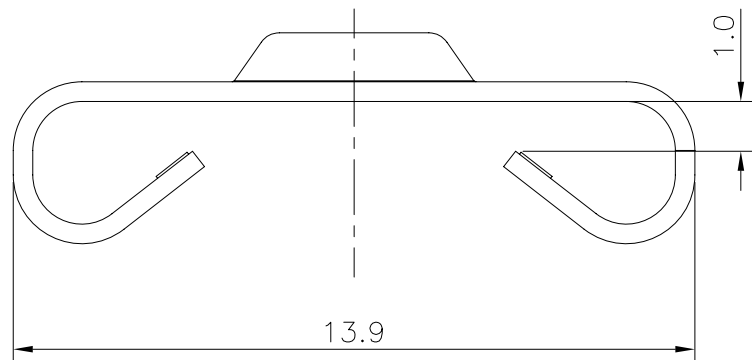
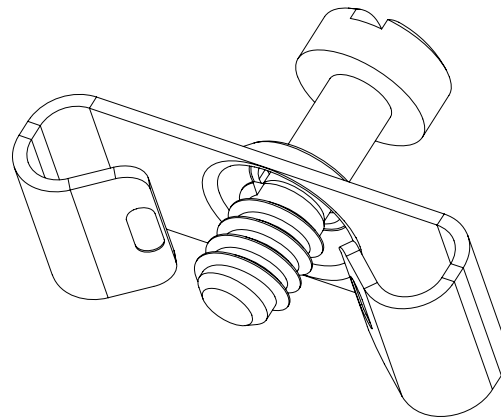
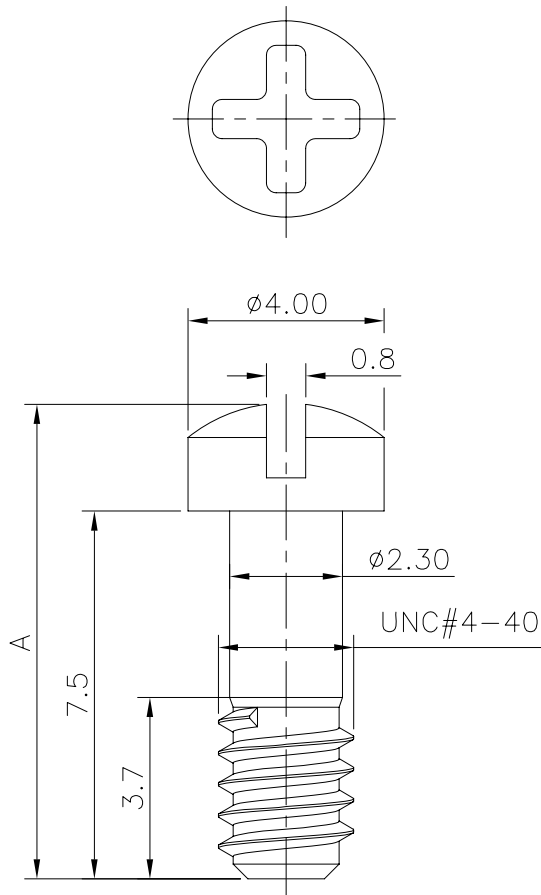
1. Plating: Nickel
2. Product Number Code

DS1045-03 - X X X

Thread type:
3: M3
4: UNC#4-40

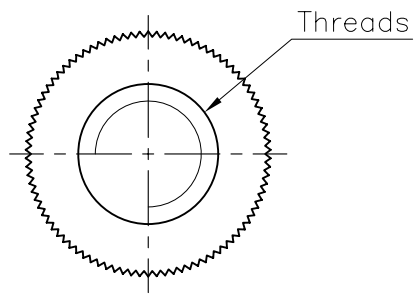
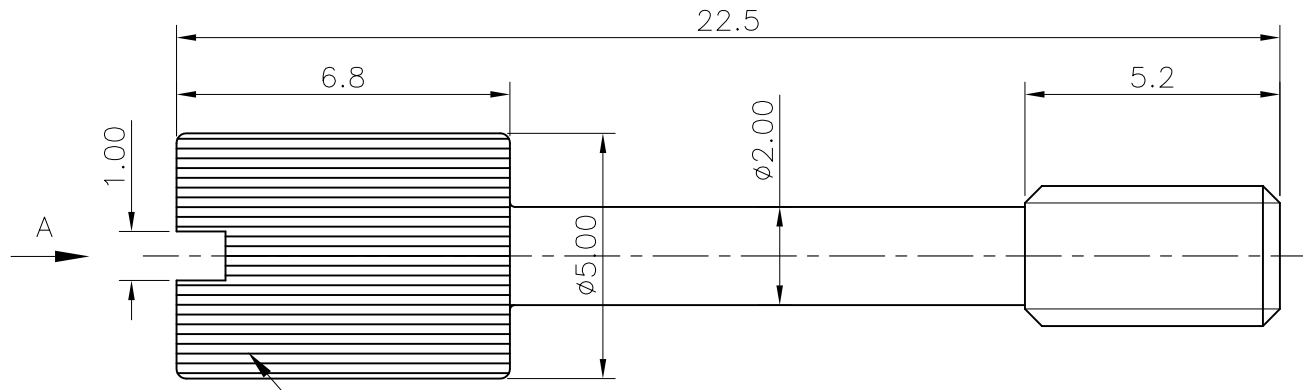
Shape of head:
2: type2

Total Length(DIM A):
0970: 9.70mm



GENERAL TOLERANCE		ANGLE TOLERANCE		PROJECTION		TITLE	D-SUB LOCK BLOTS		
X.	±0.20	X.	±2°	UNITS	mm	SERIES	DS1045-03 SERIES		
.X	±0.15	.X	±1°	SHEET SIZE	A4				
.XX	±0.10	.XX	±0.5°						
DRAWING TYPE		CUSTOMER			晨翔电子有限公司 CONNFLY CONNFLY ELECTRONIC CO. LTD				
SCALE	1:1	SHEET	1 OF 1						
DRAWING NO.	C-DS1045-03-XXX								

REV.	DESCRIPTION	DRAWN	CHECKED	APPROVED
A	NEW RELEASE	YCH 11/07/09'	~	

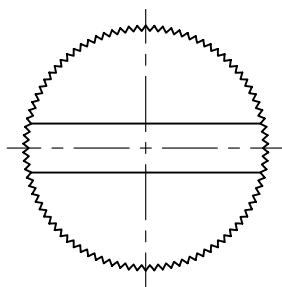


NOTES:

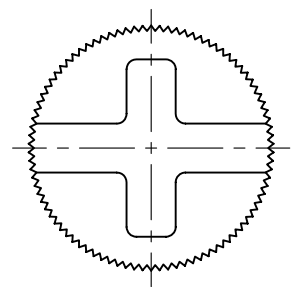
1. Plating: Nickel
2. Product Number Code

DS1045-04 - X X X

Thread type:
 3: M3
 4: UNC#4-40
 Shape of head:
 1: type1
 2: type2
 Total Length(DIM A):
 2250: 22.50mm



TYPE 1

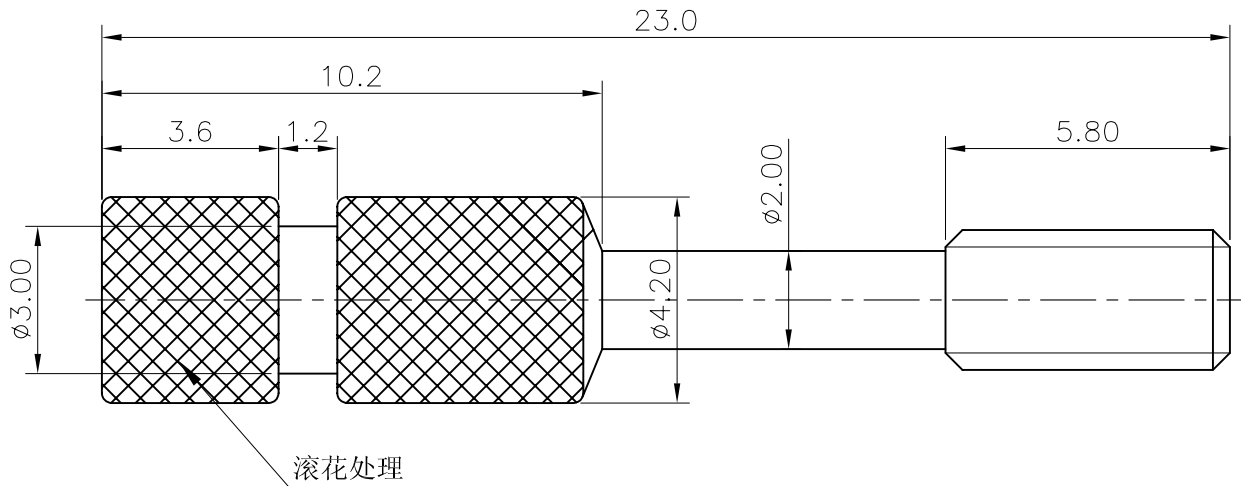


TYPE 2

A 向

GENERAL TOLERANCE		ANGLE TOLERANCE		PROJECTION		TITLE	
X.	±0.20	X.	±2°	UNITS	mm	BLOT	
.X	±0.15	.X	±1°	SHEET SIZE	A4	SERIES	DS1045-04 SERIES
.XX	±0.10	.XX	±0.5°	晨翔电子有限公司 CONNFLY CONNFLY ELECTRONIC CO. LTD			
DRAWING TYPE		CUSTOMER					
SCALE	1:1	SHEET	1 OF 1				
DRAWING NO.		C-DS1045-04-XXX					

REV.	DESCRIPTION	DRAWN	CHECKED	APPROVED
A	NEW RELEASE	YCH 11/07/09'	~	



NOTES:

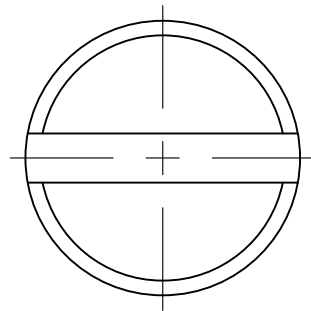
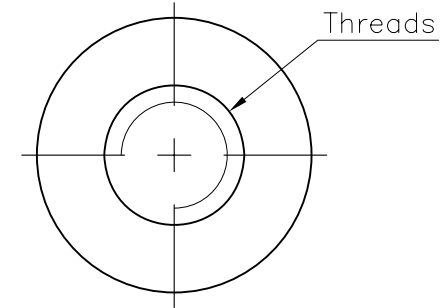
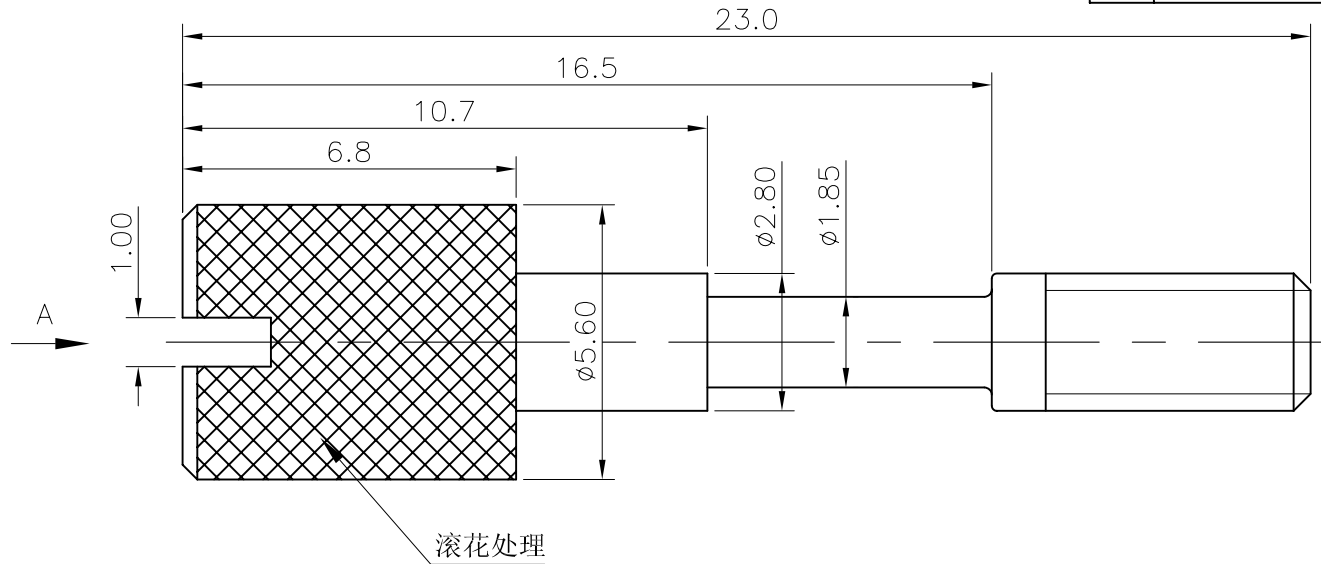
1. Plating: Nickel
2. Product Number Code

DS1045-05 - X X

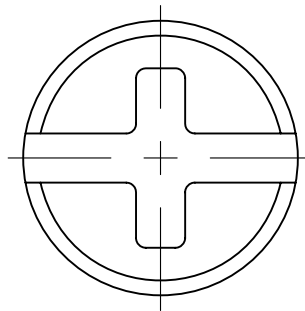
Thread type:
 3: M3
 4: UNC#4-40
 Total Length(DIM A):
 2300: 23.00mm

GENERAL TOLERANCE		ANGLE TOLERANCE		PROJECTION		TITLE	
X.	± 0.20	X.	$\pm 2^\circ$	UNITS	mm	BLOT	
.X	± 0.15	.X	$\pm 1^\circ$	SHEET SIZE	A4	SERIES	DS1045-05 SERIES
.XX	± 0.10	.XX	$\pm 0.5^\circ$	晨翔电子有限公司 CONNFLY CONNFLY ELECTRONIC CO. LTD			
DRAWING TYPE		CUSTOMER					
SCALE	1:1	SHEET	1 OF 1				
DRAWING NO.		C-DS1045-05-XX					

REV.	DESCRIPTION	DRAWN	CHECKED	APPROVED
A	NEW RELEASE	YCH 11/07/09'	~	



TYPE 1



TYPE 2

A 向

NOTES:

1. Plating: Nickel
2. Product Number Code

DS1045-06 - X X X

Thread type:

3: M3

4: UNC#4-40

Shape of head:

1: type1

2: type2


Total Length(DIM A):

2300: 23.00mm

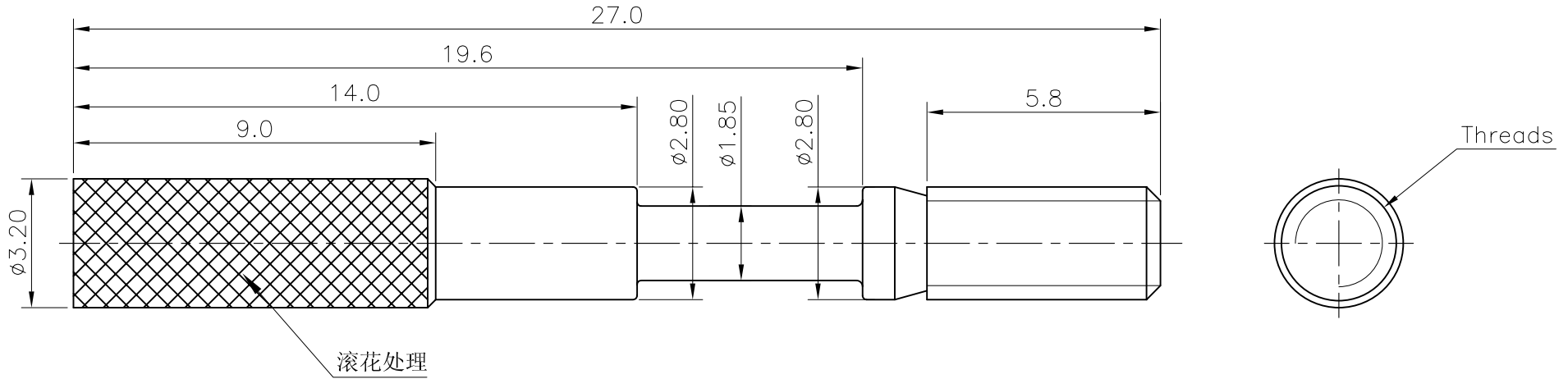
GENERAL TOLERANCE		ANGLE TOLERANCE	
X.	±0.20	X.	±2°
.X	±0.15	.X	±1°
.XX	±0.10	.XX	±0.5°

PROJECTION	TITLE	BLOT	
UNITS	mm		
SHEET SIZE	A4	SERIES	DS1045-06 SERIES

DRAWING TYPE	CUSTOMER		
SCALE	1:1	SHEET	1 OF 1
DRAWING NO.	C-DS1045-06-XXX		


晨翔电子有限公司
CONNFLY CONNFLY ELECTRONIC CO. LTD

REV.	DESCRIPTION	DRAWN	CHECKED	APPROVED
A	NEW RELEASE	YCH 11/07/09'	~	



NOTES:

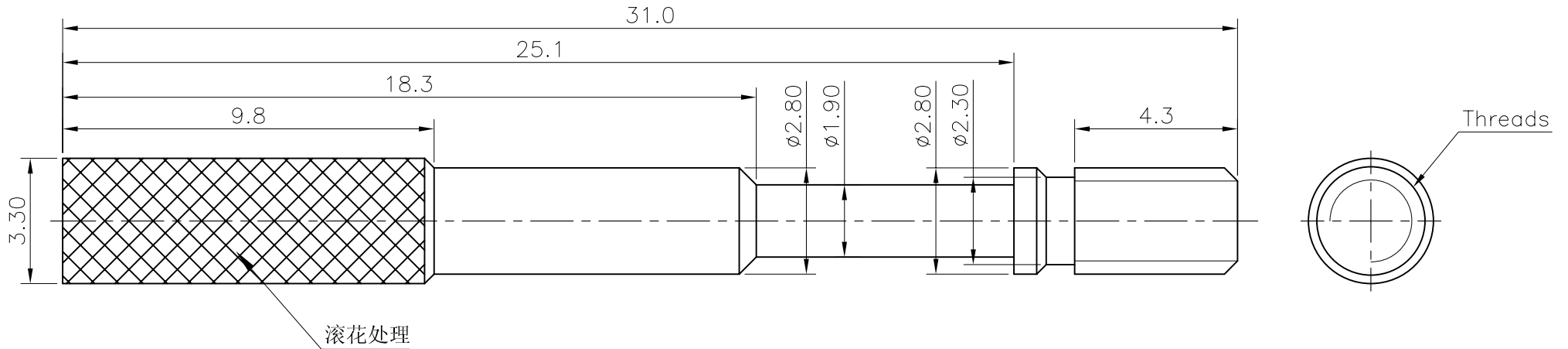
1. Plating: Nickel
2. Product Number Code

DS1045-07 - X X

Thread type:
 3: M3
 4: UNC#4-40
 Total Length(DIM A):
 2700: 27.00mm

GENERAL TOLERANCE		ANGLE TOLERANCE		PROJECTION		TITLE	
X.	±0.20	X.	±2°	UNITS	mm	BLOT	
.X	±0.15	.X	±1°	SHEET SIZE	A4	SERIES	DS1045-07 SERIES
.XX	±0.10	.XX	±0.5°	晨翔电子有限公司 CONNPLY ELECTRONIC CO. LTD			
DRAWING TYPE		CUSTOMER					
SCALE	1:1	SHEET	1 OF 1				
DRAWING NO.		C-DS1045-07-XX					

REV.	DESCRIPTION	DRAWN	CHECKED	APPROVED
A	NEW RELEASE	YCH 11/07/09'	~	



NOTES:

1. Plating: Nickel
2. Product Number Code

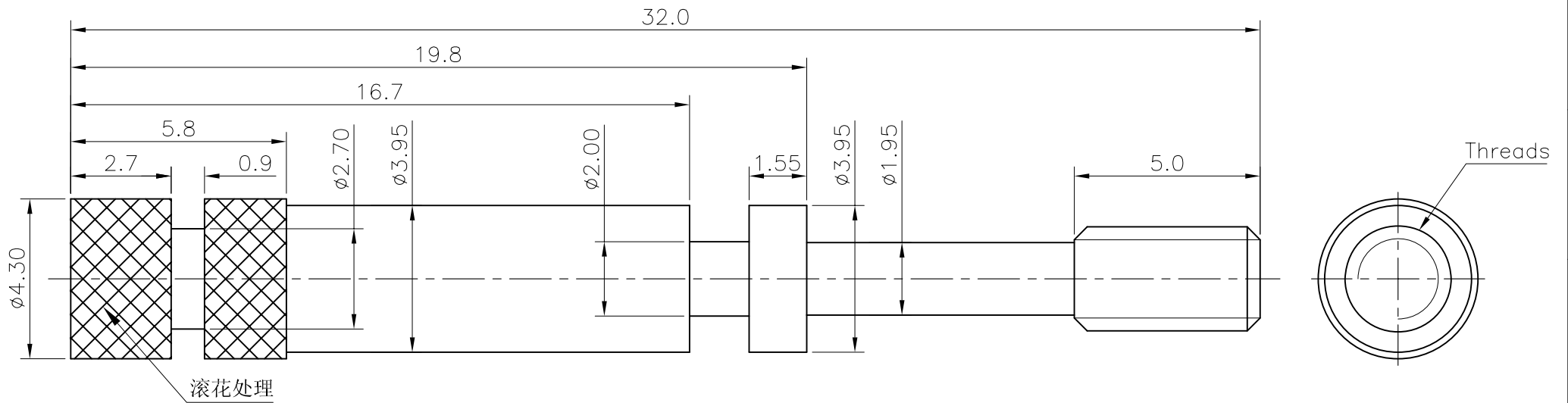
DS1045-08 - X X

Thread type:
3: M3
4: UNC#4-40

Total Length(DIM A):
3100: 31.00mm

GENERAL TOLERANCE		ANGLE TOLERANCE		PROJECTION		TITLE	
X.	±0.20	X.	±2°	UNITS	mm	BLOT	
.X	±0.15	.X	±1°	SHEET SIZE	A4	SERIES	DS1045-08 SERIES
.XX	±0.10	.XX	±0.5°	晨翔电子有限公司 CONNFLY CONNFLY ELECTRONIC CO. LTD			
DRAWING TYPE		CUSTOMER					
SCALE	1:1	SHEET	1 OF 1				
DRAWING NO.		C-DS1045-08-XX					

REV.	DESCRIPTION	DRAWN	CHECKED	APPROVED
A	NEW RELEASE	YCH 11/07/09'	~	



NOTES:

1. Plating: Nickel
2. Product Number Code

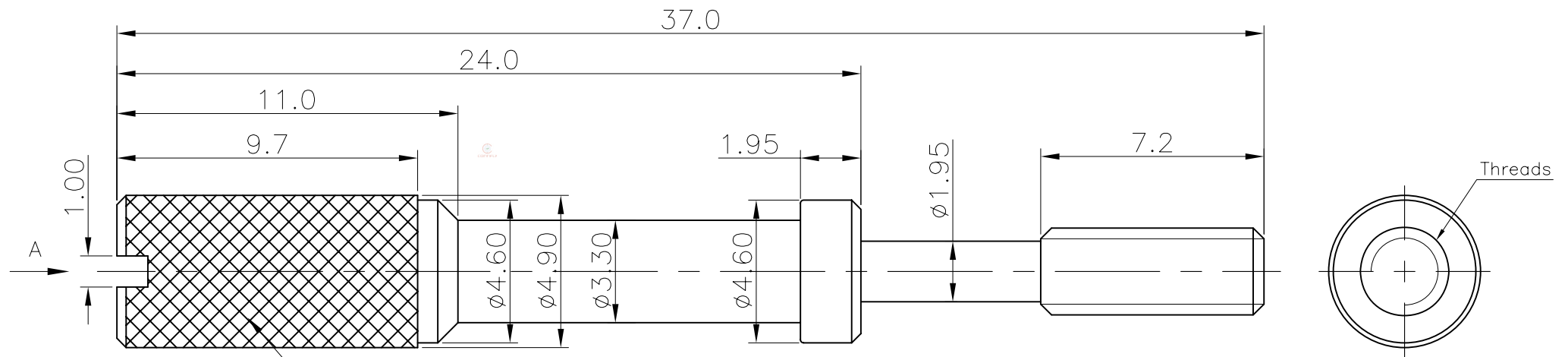
DS1045-09 - X X

Thread type:
3: M3
4: UNC#4-40

Total Length(DIM A):
3200: 32.00mm

GENERAL TOLERANCE		ANGLE TOLERANCE		PROJECTION		TITLE	BLOT	
X.	± 0.20	X.	$\pm 2^\circ$	UNITS	mm			
.X	± 0.15	.X	$\pm 1^\circ$	SHEET SIZE	A4	SERIES	DS1045-09 SERIES	
.XX	± 0.10	.XX	$\pm 0.5^\circ$	晨翔电子有限公司 CONNFLY CONNFLY ELECTRONIC CO. LTD				
DRAWING TYPE		CUSTOMER						
SCALE	1:1	SHEET	1 OF 1					
DRAWING NO.		C-DS1045-09-XX						

REV.	DESCRIPTION	DRAWN	CHECKED	APPROVED
A	NEW RELEASE	YCH 11/07/09'	~	



滚花处理

NOTES:

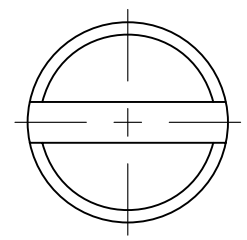
1. Plating: Nickel
2. Product Number Code

DS1045-10 - X X X

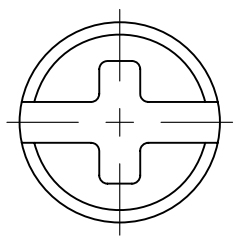
Thread type:
3: M3
4: UNC#4-40

Shape of head:
1: type1
2: type2

Total Length(DIM A):
3700: 37.00mm



TYPE 1

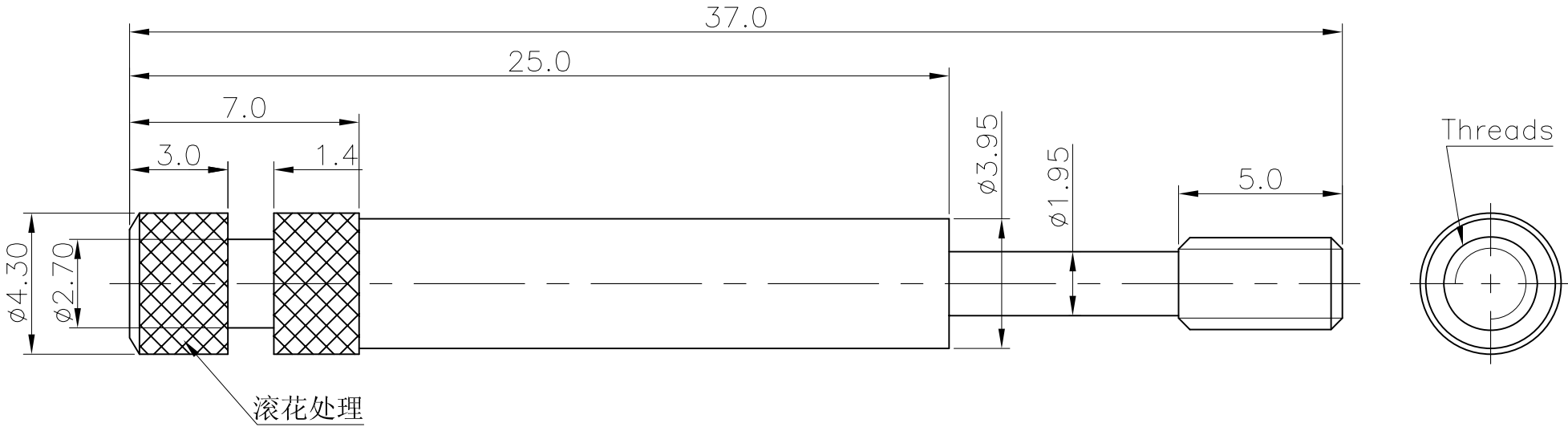


TYPE 2

A 向

GENERAL TOLERANCE		ANGLE TOLERANCE		PROJECTION		TITLE	BLOT	
X.	±0.20	X.	±2°	UNITS	mm			
.X	±0.15	.X	±1°	SHEET SIZE	A4	SERIES	DS1045-10 SERIES	
.XX	±0.10	.XX	±0.5°	晨翔电子有限公司 CONNFLY CONNFLY ELECTRONIC CO. LTD				
DRAWING TYPE		CUSTOMER						
SCALE	1:1	SHEET	1 OF 1					
DRAWING NO.		C-DS1045-10-XXX						

REV.	DESCRIPTION	DRAWN	CHECKED	APPROVED
A	NEW RELEASE	YCH 11/07/09'	~	



滚花处理

NOTES:

1. Plating: Nickel
2. Product Number Code

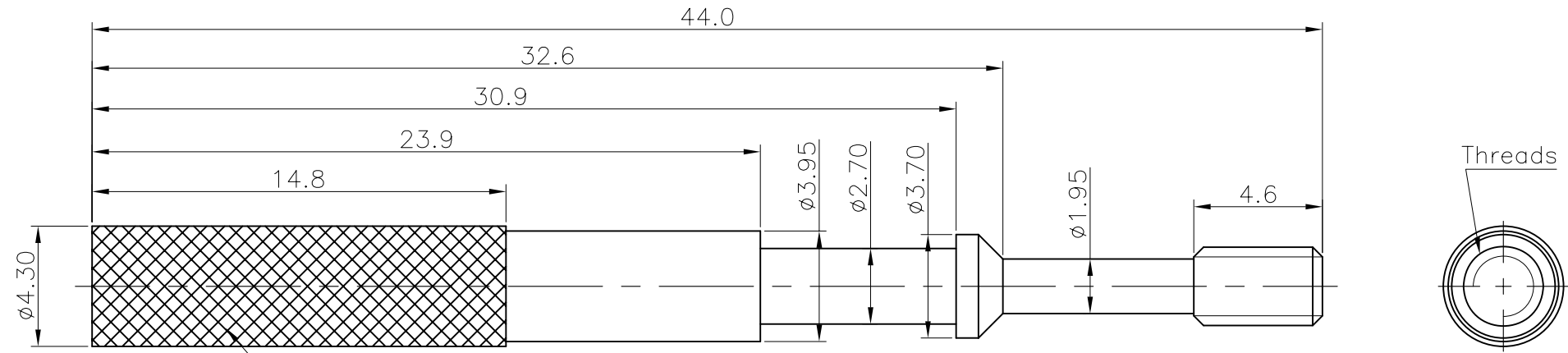
DS1045-11 - X X

Thread type:
3: M3
4: UNC#4-40

Total Length(DIM A):
3700: 37.00mm

GENERAL TOLERANCE		ANGLE TOLERANCE		PROJECTION		TITLE	BLOT	
X.	±0.20	X.	±2°	UNITS	mm			
.X	±0.15	.X	±1°	SHEET SIZE	A4	SERIES	DS1045-11 SERIES	
.XX	±0.10	.XX	±0.5°	晨翔电子有限公司 CONNFLY CONNFLY ELECTRONIC CO. LTD				
DRAWING TYPE		CUSTOMER						
SCALE	1:1	SHEET	1 OF 1					
DRAWING NO.		C-DS1045-11-XX						

REV.	DESCRIPTION	DRAWN	CHECKED	APPROVED
A	NEW RELEASE	YCH 11/07/09'	~	



滚花处理

NOTES:

1. Plating: Nickel
2. Product Number Code

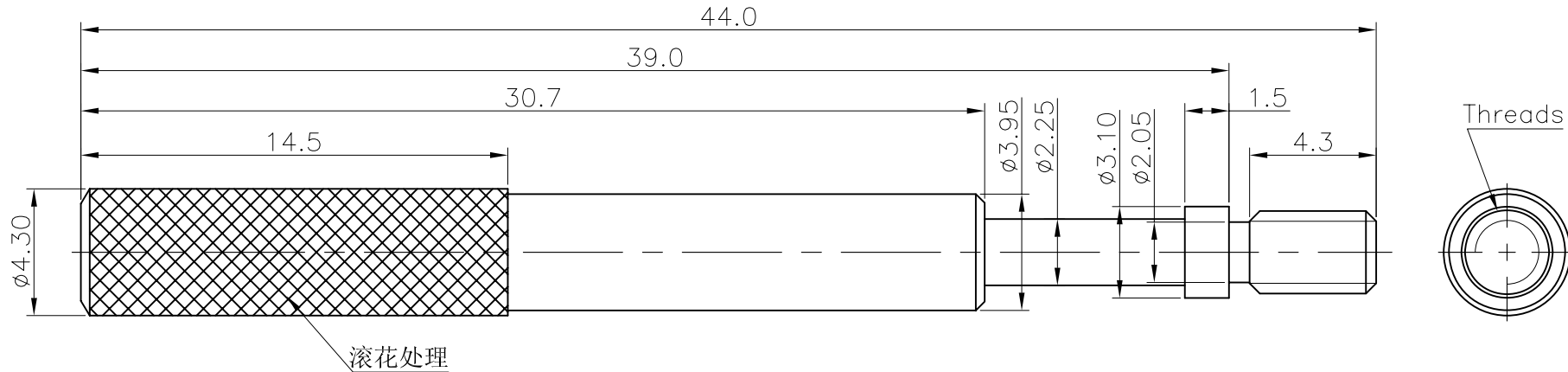
DS1045-12 - X X

Thread type:
3: M3
4: UNC#4-40

Total Length(DIM A):
4400: 44.00mm

GENERAL TOLERANCE		ANGLE TOLERANCE		PROJECTION		TITLE	BLOT	
X.	±0.20	X.	±2°	UNITS	mm			
.X	±0.15	.X	±1°	SHEET SIZE	A4	SERIES	DS1045-12 SERIES	
.XX	±0.10	.XX	±0.5°	晨翔电子有限公司 CONNFLY CONNFLY ELECTRONIC CO. LTD				
DRAWING TYPE		CUSTOMER						
SCALE	1:1	SHEET	1 OF 1					
DRAWING NO.		C-DS1045-12-XX						

REV.	DESCRIPTION	DRAWN	CHECKED	APPROVED
A	NEW RELEASE	YCH 11/07/09'	~	



NOTES:

1. Plating: Nickel
2. Product Number Code

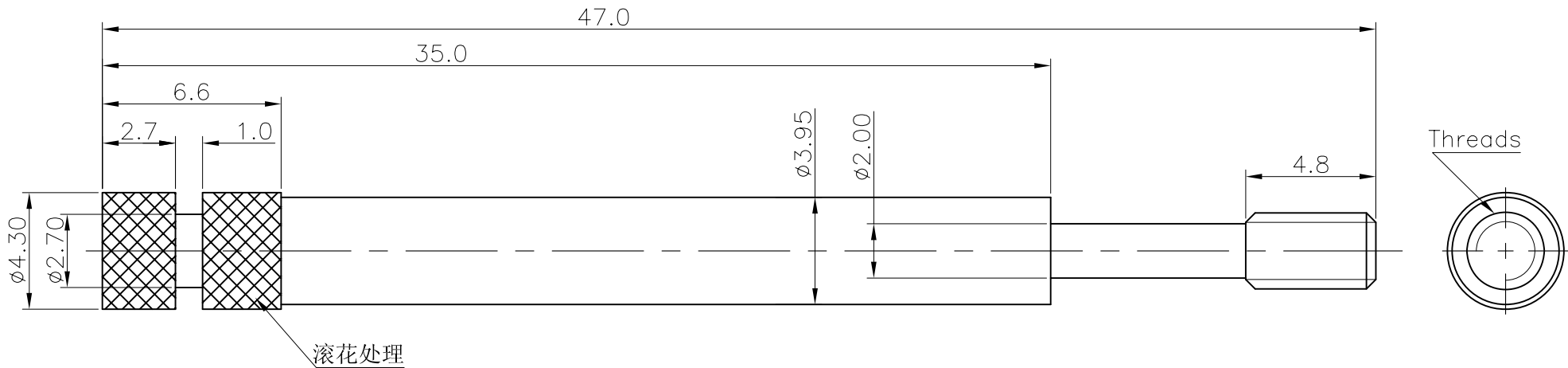
DS1045-13 - X X

Thread type:
3: M3
4: UNC#4-40

Total Length(DIM A):
4400: 44.00mm

GENERAL TOLERANCE		ANGLE TOLERANCE		PROJECTION	TITLE
X.	± 0.20	X.	$\pm 2^\circ$		BLOT
.X	± 0.15	.X	$\pm 1^\circ$	mm	
.XX	± 0.10	.XX	$\pm 0.5^\circ$	A4	SERIES DS1045-13 SERIES
DRAWING TYPE		CUSTOMER		 晨翔电子有限公司 CONNFLY CONNFLY ELECTRONIC CO. LTD	
SCALE	1:1	SHEET	1 OF 1		
DRAWING NO.	C-DS1045-13-XX				

REV.	DESCRIPTION	DRAWN	CHECKED	APPROVED
A	NEW RELEASE	YCH 11/07/09'	~	



NOTES:

1. Plating: Nickel
2. Product Number Code

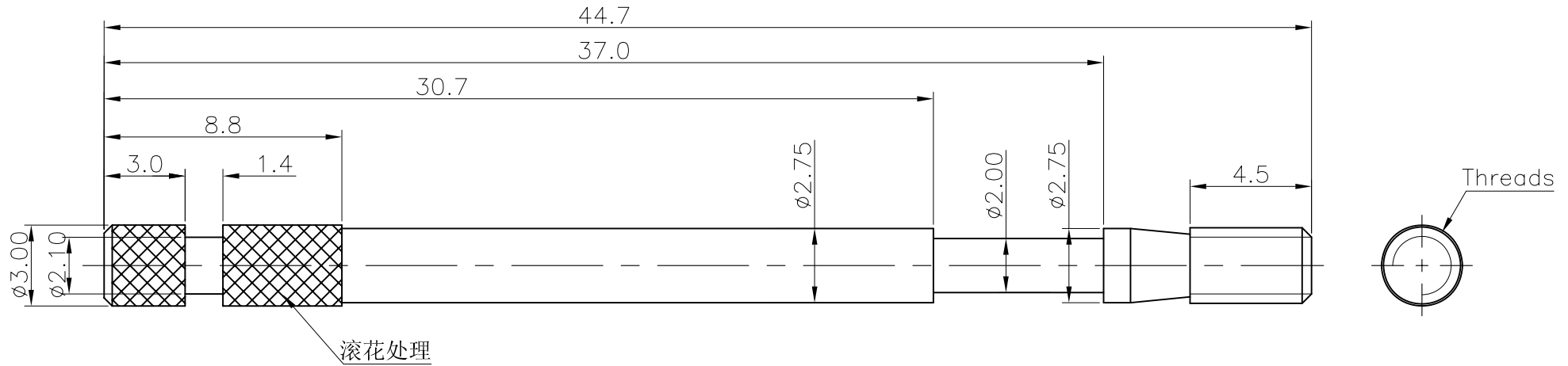
DS1045-14 - X X

Thread type:
3: M3
4: UNC#4-40

Total Length(DIM A):
4700: 47.00mm

GENERAL TOLERANCE		ANGLE TOLERANCE		PROJECTION		TITLE	
X.	±0.20	X.	±2°	UNITS	mm	BLOT	
.X	±0.15	.X	±1°	SHEET SIZE	A4	SERIES	DS1045-14 SERIES
.XX	±0.10	.XX	±0.5°	晨翔电子有限公司 CONNFLY CONNFLY ELECTRONIC CO. LTD			
DRAWING TYPE		CUSTOMER					
SCALE	1:1	SHEET	1 OF 1				
DRAWING NO.		C-DS1045-14-XX					

REV.	DESCRIPTION	DRAWN	CHECKED	APPROVED
A	NEW RELEASE	YCH 11/07/09'	~	



NOTES:

- 1. Plating: Nickel
- 2. Product Number Code

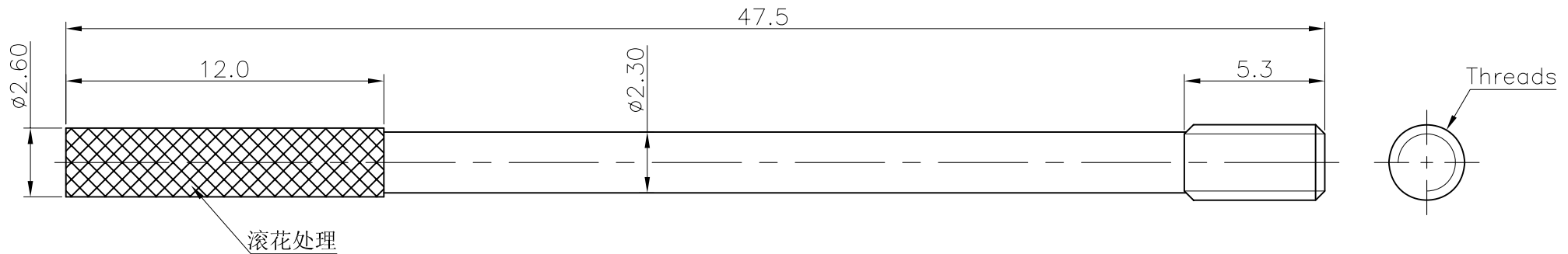
DS1045-15 - X X

Thread type:
3: M3
4: UNC#4-40

Total Length(DIM A):
4470: 44.70mm

GENERAL TOLERANCE		ANGLE TOLERANCE		PROJECTION		TITLE	BLOT	
X.	±0.20	X.	±2°	UNITS	mm			
.X	±0.15	.X	±1°	SHEET SIZE	A4	SERIES	DS1045-15 SERIES	
.XX	±0.10	.XX	±0.5°	晨翔电子有限公司 CONNFLY CONNFLY ELECTRONIC CO. LTD				
DRAWING TYPE		CUSTOMER						
SCALE	1:1	SHEET	1 OF 1					
DRAWING NO.		C-DS1045-15-XX						

REV.	DESCRIPTION	DRAWN	CHECKED	APPROVED
A	NEW RELEASE	YCH 11/07/09'	~	



NOTES:

1. Plating: Nickel
2. Product Number Code

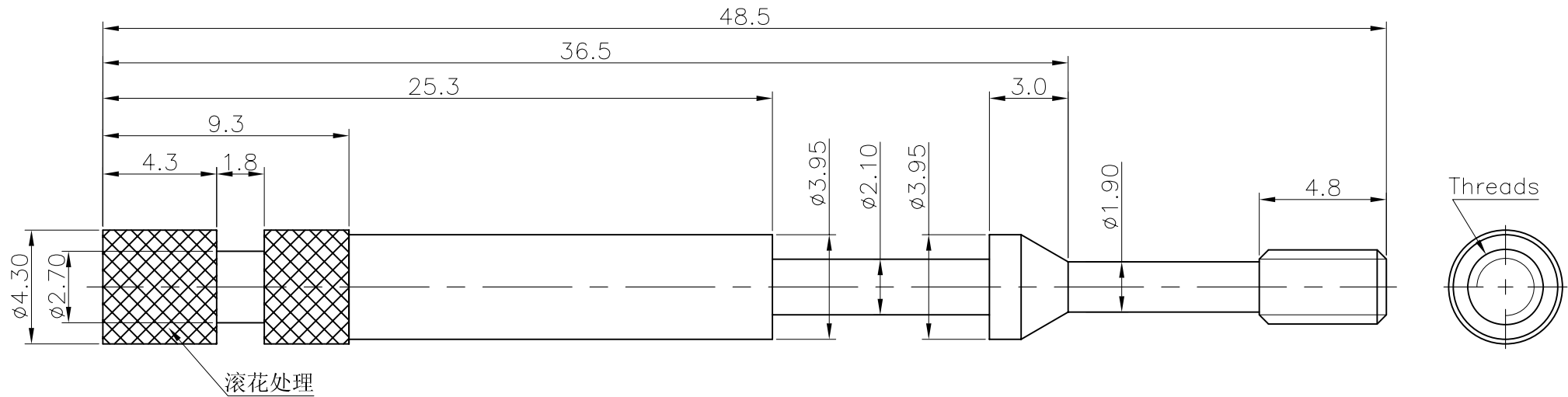
DS1045-16 - X X

Thread type:
3: M3
4: UNC#4-40

Total Length(DIM A):
4750: 47.50mm

GENERAL TOLERANCE		ANGLE TOLERANCE		PROJECTION		TITLE	BLOT	
X.	± 0.20	X.	$\pm 2^\circ$	UNITS	mm			
.X	± 0.15	.X	$\pm 1^\circ$	SHEET SIZE	A4	SERIES	DS1045-16 SERIES	
.XX	± 0.10	.XX	$\pm 0.5^\circ$			晨翔电子有限公司 CONNFLY CONNFLY ELECTRONIC CO. LTD		
DRAWING TYPE		CUSTOMER						
SCALE	1:1	SHEET	1 OF 1					
DRAWING NO.		C-DS1045-16-XX						

REV.	DESCRIPTION	DRAWN	CHECKED	APPROVED
A	NEW RELEASE	YCH 11/07/09'	~	



NOTES:

1. Plating: Nickel
2. Product Number Code

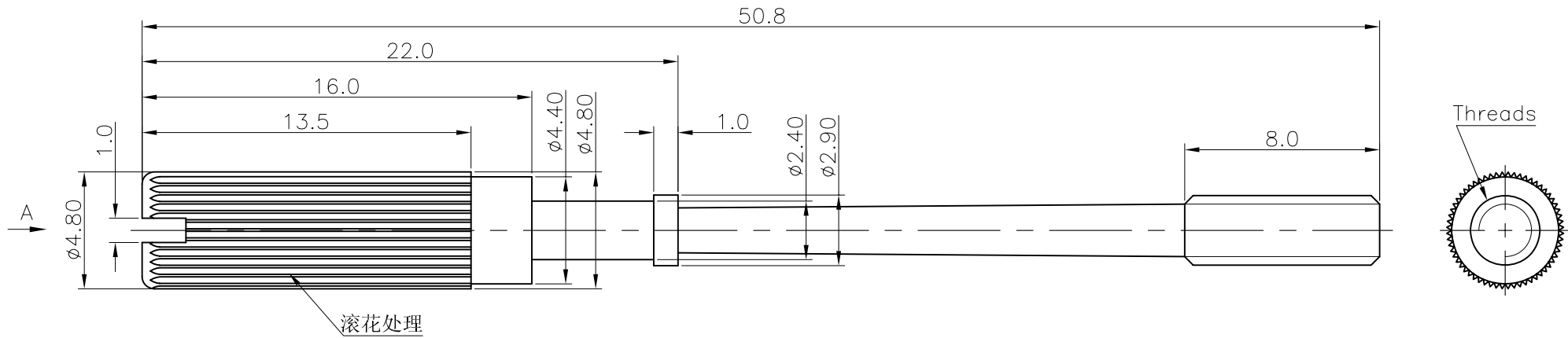
DS1045-17 - X X

Thread type:
3: M3
4: UNC#4-40

Total Length(DIM A):
4850: 48.50mm

GENERAL TOLERANCE		ANGLE TOLERANCE		PROJECTION	TITLE
X.	±0.20	X.	±2°		BLOT
.X	±0.15	.X	±1°	mm	
.XX	±0.10	.XX	±0.5°	A4	SERIES DS1045-17 SERIES
DRAWING TYPE	CUSTOMER			晨翔电子有限公司 CONNFLY CONNFLY ELECTRONIC CO. LTD	
SCALE	1:1	SHEET	1 OF 1		
DRAWING NO.	C-DS1045-17-XX				

REV.	DESCRIPTION	DRAWN	CHECKED	APPROVED
A	NEW RELEASE	YCH 11/07/09'	~	



NOTES:

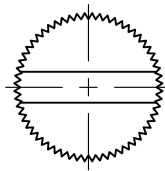
1. Plating: Nickel
2. Product Number Code

DS1045-18 - X X X

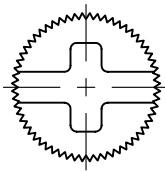
Thread type:
3: M3
4: UNC#4-40

Shape of head:
1: type1
2: type2

Total Length(DIM A):
5080: 50.80mm



TYPE 1

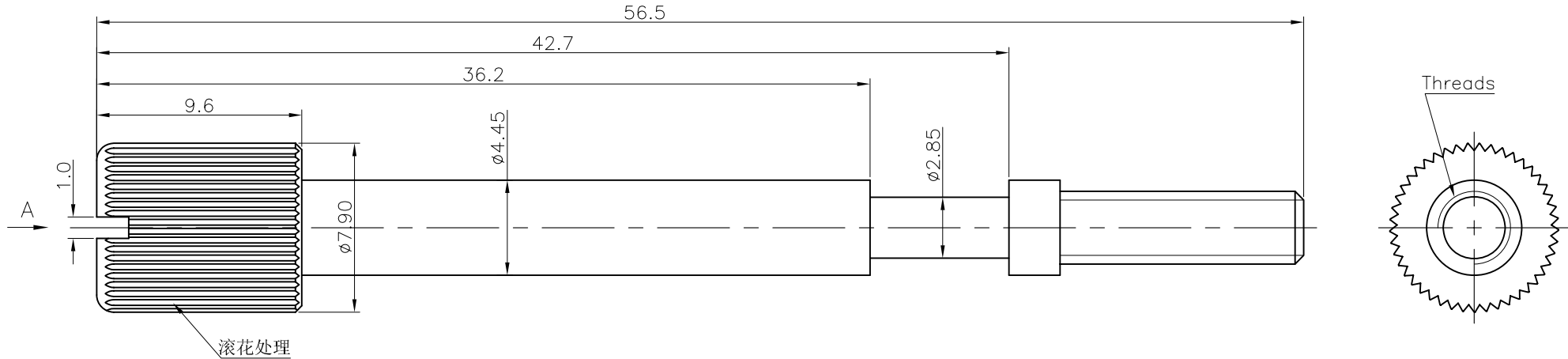


TYPE 2

A 向

GENERAL TOLERANCE		ANGLE TOLERANCE		PROJECTION	TITLE	BLOT	
X.	± 0.20	X.	$\pm 2^\circ$				
.X	± 0.15	.X	$\pm 1^\circ$	mm			
.XX	± 0.10	.XX	$\pm 0.5^\circ$	A4	SERIES	DS1045-18 SERIES	
DRAWING TYPE		CUSTOMER		 晨翔电子有限公司 CONNPLY CONNPLY ELECTRONIC CO. LTD			
SCALE		1:1	SHEET 1 OF 1				
DRAWING NO.		C-DS1045-18-XXX					

REV.	DESCRIPTION	DRAWN	CHECKED	APPROVED
A	NEW RELEASE	YCH 11/07/09'	~	



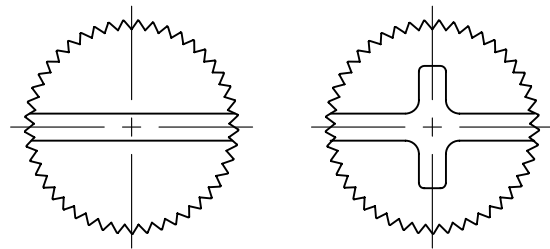
NOTES:

1. Plating: Nickel
2. Product Number Code
DS1045-19 - X X X

Thread type:
6: UNC#6-32

Shape of head:
1: type1
2: type2

Total Length(DIM A):
5650: 56.50mm



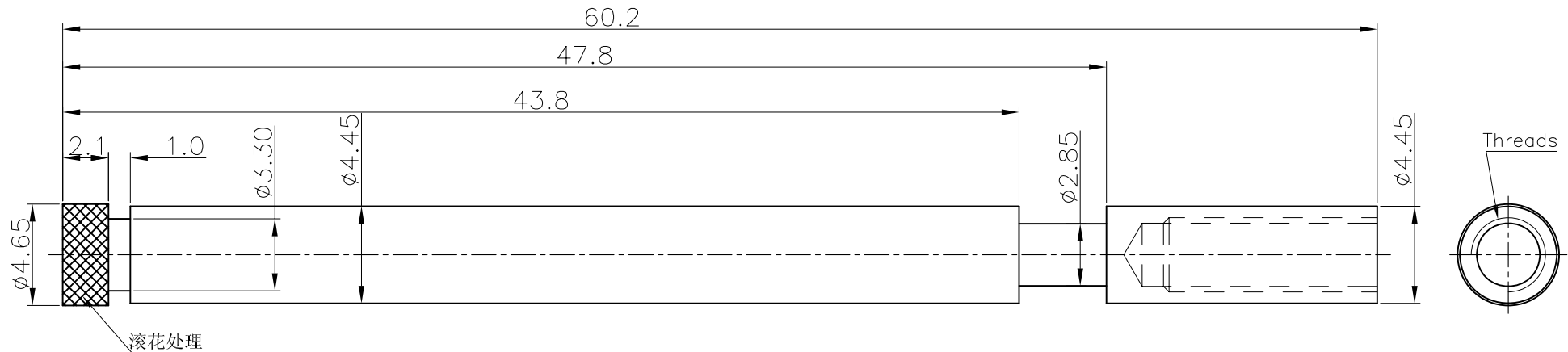
TYPE 1

TYPE 2

A 向

GENERAL TOLERANCE		ANGLE TOLERANCE		PROJECTION		TITLE	
X.	±0.20	X.	±2°	UNITS	mm	BLOT	
.X	±0.15	.X	±1°	SHEET SIZE	A4	SERIES	DS1045-19 SERIES
.XX	±0.10	.XX	±0.5°	晨翔电子有限公司 CONNFLY CONNFLY ELECTRONIC CO. LTD			
DRAWING TYPE		CUSTOMER					
SCALE	1:1	SHEET	1 OF 1				
DRAWING NO.		C-DS1045-19-XXX					

REV.	DESCRIPTION	DRAWN	CHECKED	APPROVED
A	NEW RELEASE	YCH 11/07/09'	~	



NOTES:

1. Plating: Nickel
2. Product Number Code

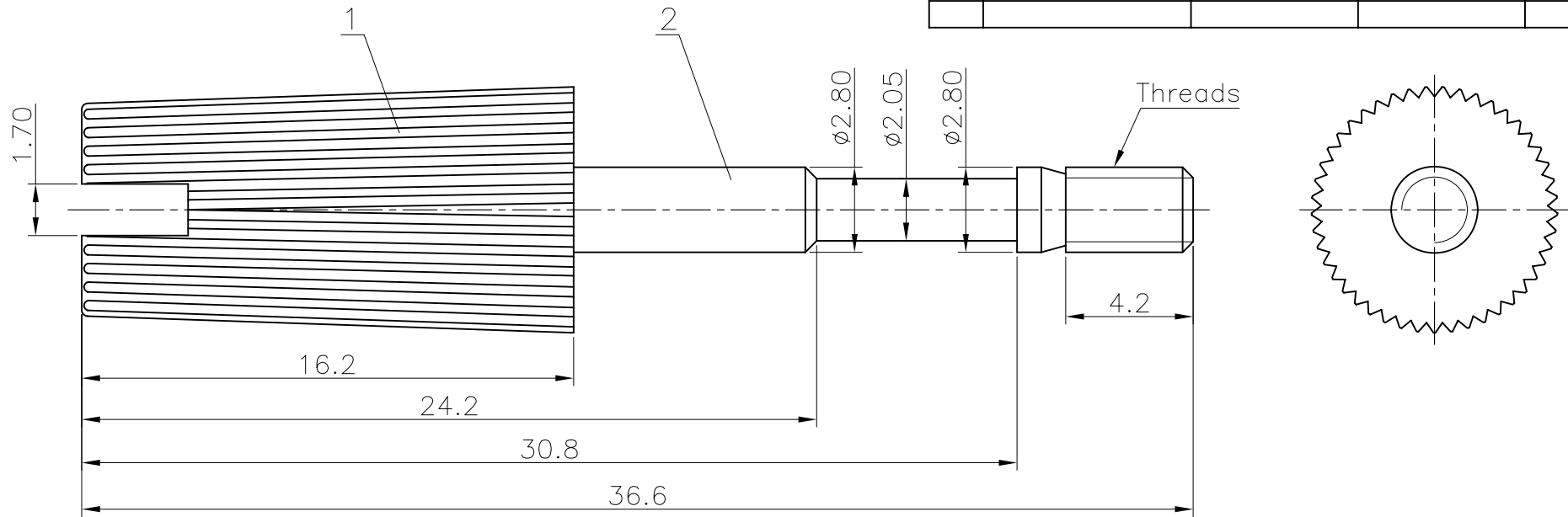
DS1045-20 - X X

Thread type:
6: UNC#6-32

Total Length(DIM A):
6020: 60.20mm

GENERAL TOLERANCE		ANGLE TOLERANCE		PROJECTION		TITLE	
X.	±0.20	X.	±2°	UNITS	mm	BLOT	
.X	±0.15	.X	±1°	SHEET SIZE	A4	SERIES	DS1045-20 SERIES
.XX	±0.10	.XX	±0.5°	晨翔电子有限公司 CONNFLY CONNFLY ELECTRONIC CO. LTD			
DRAWING TYPE		CUSTOMER					
SCALE	1:1	SHEET	1 OF 1				
DRAWING NO.		C-DS1045-20-XX					

REV.	DESCRIPTION	DRAWN	CHECKED	APPROVED
A	NEW RELEASE	YCH 11/07/09'	~	



NOTES:

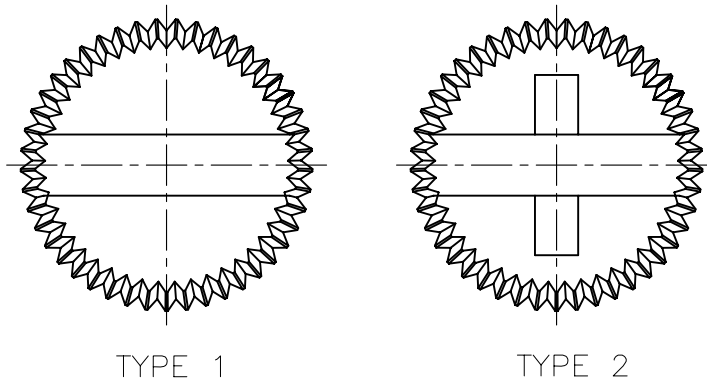
1. Plating: Nickel
2. Product Number Code

DS1045-21 - X X X

Thread type:
3: M3
4: UNC#4-40

Shape of head:
1: type1
2: type2

Total Length(DIM A):
3660: 36.60mm



A 向

GENERAL TOLERANCE		ANGLE TOLERANCE		PROJECTION	TITLE
X.	±0.20	X.	±2°		BLOT
.X	±0.15	.X	±1°	mm	
.XX	±0.10	.XX	±0.5°	A4	SERIES DS1045-21 SERIES
DRAWING TYPE	CUSTOMER			晨翔电子有限公司 CONNFLY CONNFLY ELECTRONIC CO. LTD	
SCALE	1:1	SHEET	1 OF 1		
DRAWING NO.	C-DS1045-21-XXX				