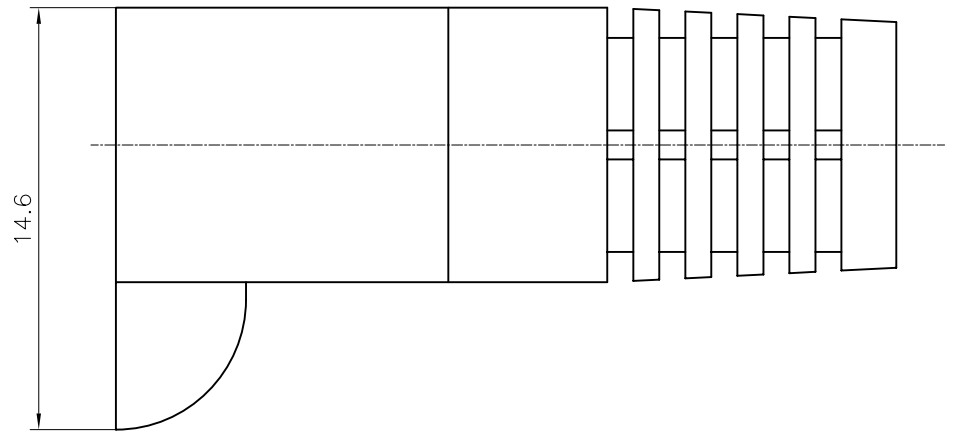
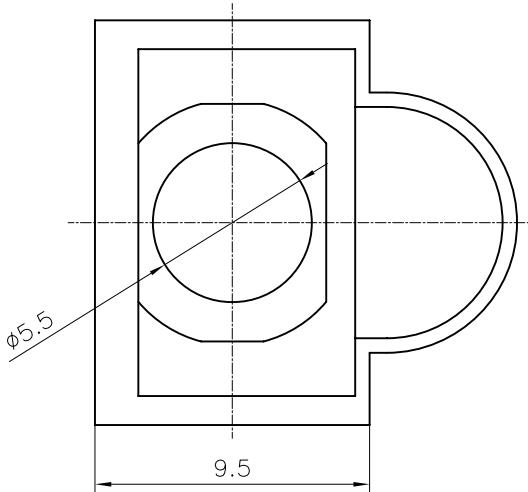
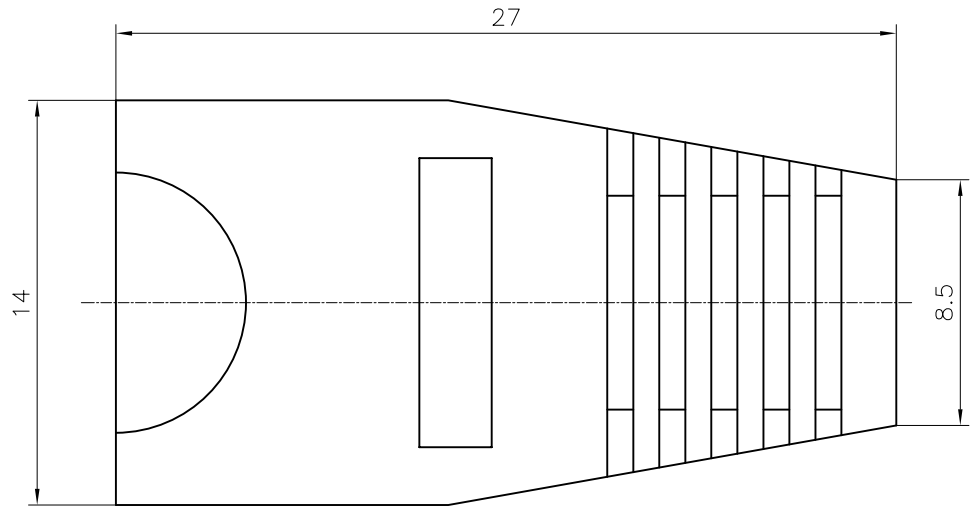


REV.	DESCRIPTION	DRAWN	CHECKED	APPROVED
A	NEW RELEASE	YCH 08/26/07'	~	

SPECIFICATION

- MATERIAL: PVC
- Product Number Code:
 DS1124-02 - P X
 - Hood Color
 - V:Ivory
 - A:Gray
 - R:Red
 - G:Green
 - B:Black
 - Y:Yellow
 - Connector Type
 - P:Plug
 - Series No.
DS1124-02



GENERAL TOLERANCE		ANGLE TOLERANCE	
X.	±0.60	X.	±5°
.X	±0.38	.X	±3°
.XX	±0.25	.XX	±2°

DRAWING TYPE	CUSTOMER		
SCALE	1:1	SHEET	1 OF 1
DRAWING NO.	CIDS1124-02-PX		

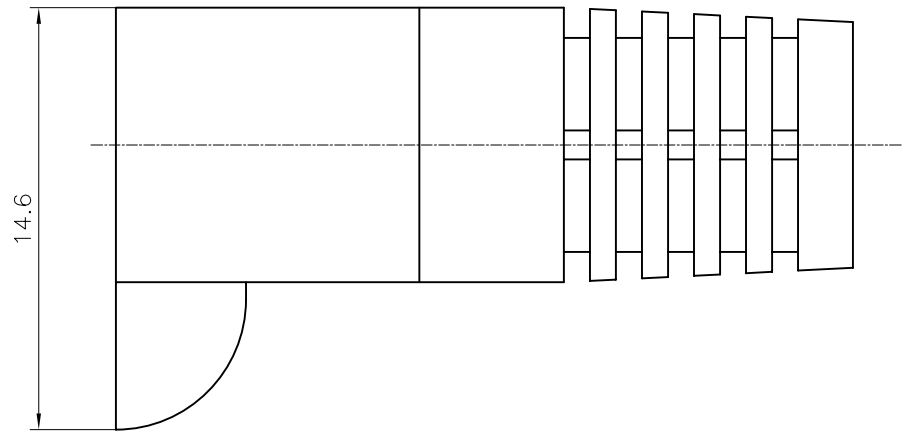
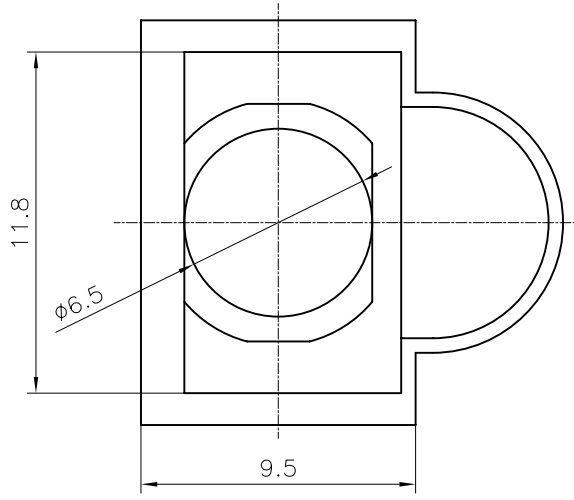
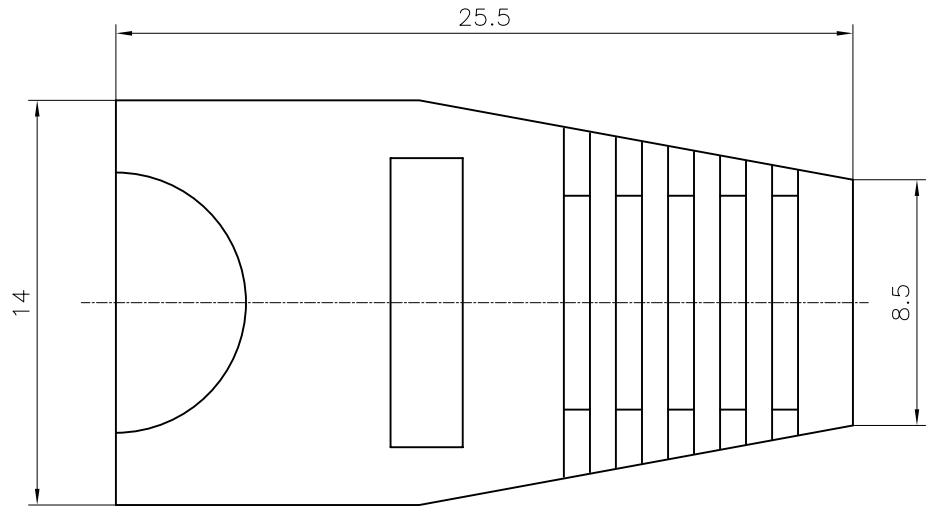
PROJECTION		TITLE	PLUG 10P HOOD(CABLE OD=5.5)
UNITS	mm	SHEET	1 OF 1
SHEET SIZE	A4	SERIES	DS1124-02 SERIES

晨翔电子有限公司
CONNFLY CONNFLY ELECTRONIC CO. LTD

REV.	DESCRIPTION	DRAWN	CHECKED	APPROVED
A	NEW RELEASE	YCH 08/26/07'	~	

SPECIFICATION


- MATERIAL: PVC
- Product Number Code:
DS1124-03 - P X
 - Hood Color
 - V:Ivory
 - A:Gray
 - R:Red
 - G:Green
 - B:Black
 - Y:Yellow
 - Connector Type
P:Plug
 - Series No.
DS1124-03



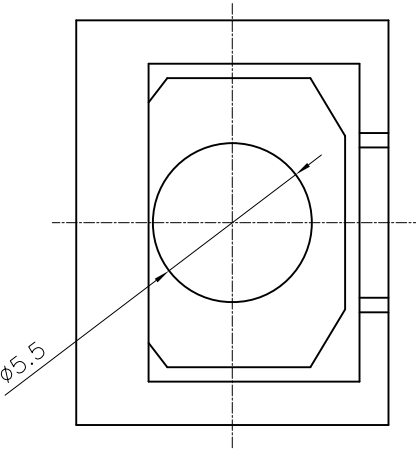
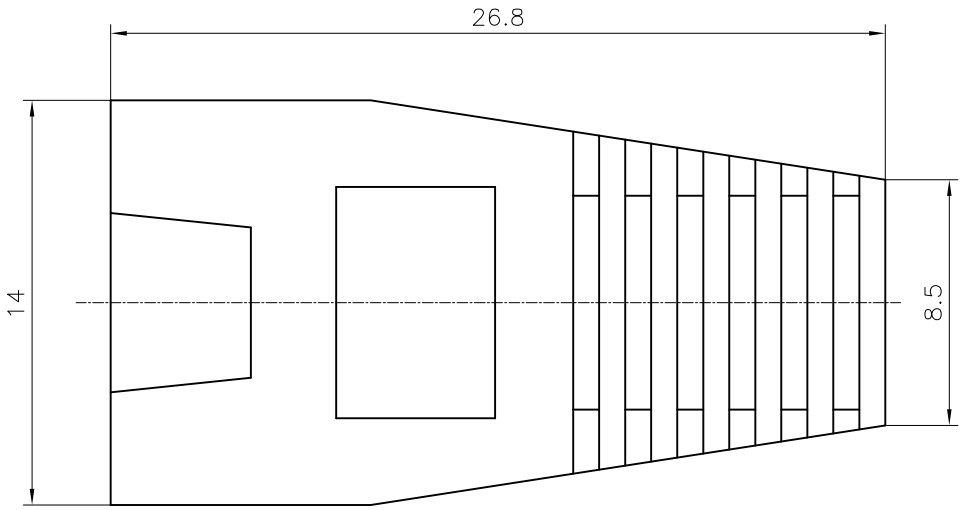
GENERAL TOLERANCE		ANGLE TOLERANCE	
X.	±0.60	X.	±5°
.X	±0.38	.X	±3°
.XX	±0.25	.XX	±2°

PROJECTION		TITLE	PLUG 10P HOOD(CABLE OD=φ6.5)
UNITS	mm	SHEET SIZE	A4
SHEET SIZE	A4	SERIES	DS1124-03 SERIES

DRAWING TYPE	CUSTOMER		
SCALE	1:1	SHEET	1 OF 1
DRAWING NO.	CIDS1124-03-PX		

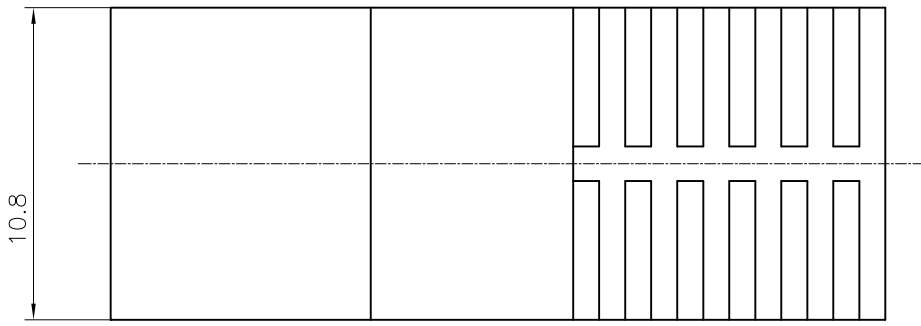

晨翔电子有限公司
CONNFLY CONNFLY ELECTRONIC CO. LTD

REV.	DESCRIPTION	DRAWN	CHECKED	APPROVED
A	NEW RELEASE	YCH 08/26/07'	~	



SPECIFICATION

- MATERIAL: PVC
- Product Number Code:
DS1124-04 - P X
 - Hood Color
 - V:Ivory
 - A:Gray
 - R:Red
 - G:Green
 - B:Black
 - Y:Yellow
 - Connector Type
 - P:Plug
 - Series No.
DS1124-04



GENERAL TOLERANCE		ANGLE TOLERANCE	
X.	±0.60	X.	±5°
.X	±0.38	.X	±3°
.XX	±0.25	.XX	±2°

PROJECTION		TITLE	PLUG 10P HOOD(FLAT CABLE OD=φ5.5)
UNITS	mm	SHEET SIZE	A4
SHEET SIZE	A4	SERIES	DS1124-04 SERIES

DRAWING TYPE	CUSTOMER		
SCALE	1:1	SHEET	1 OF 1
DRAWING NO.	CIDS1124-04-PX		

晨翔电子有限公司
CONNFly CONNFly ELECTRONIC CO. LTD

REV.	DESCRIPTION	DRAWN	CHECKED	APPROVED
A	NEW RELEASE	YCH 08/26/07'	~	

SPECIFICATION

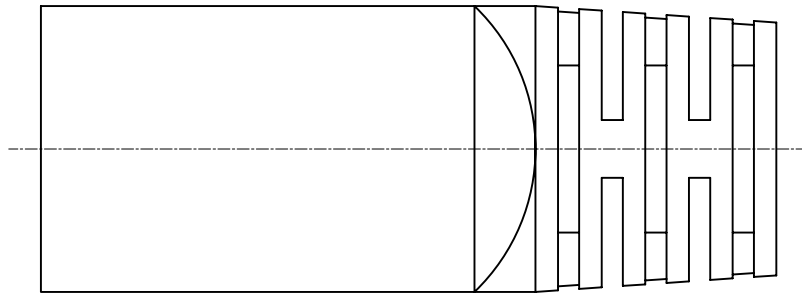
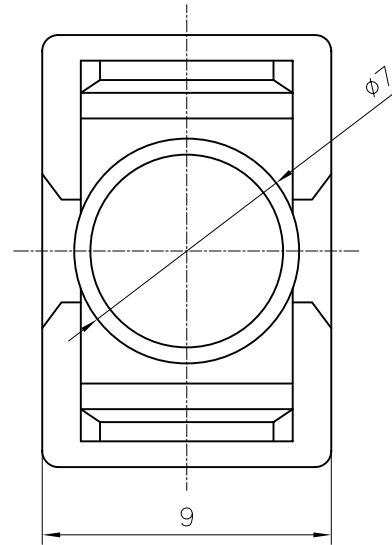
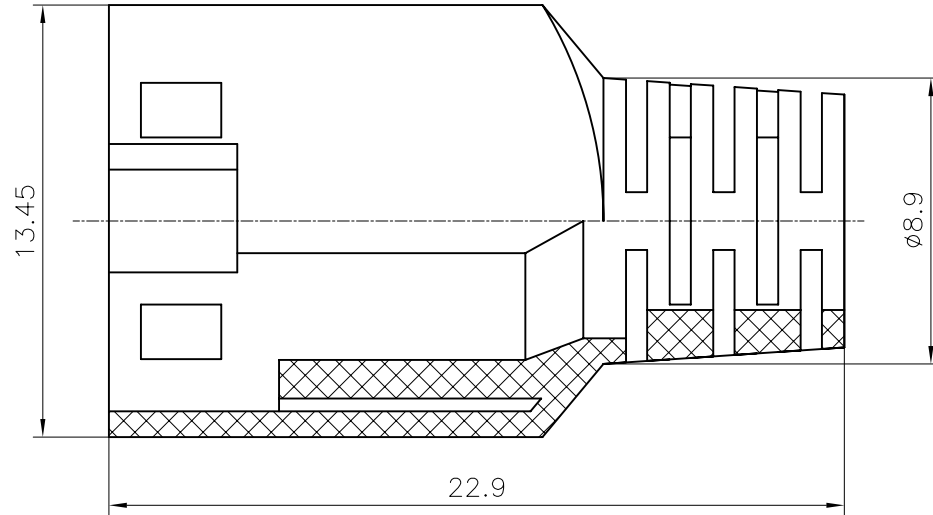
- MATERIAL: PVC
- Product Number Code:

DS1124-05 - P X

Hood Color
 V:Ivory
 A:Gray
 R:Red
 G:Green
 B:Black
 Y:Yellow

Connector Type
 P:Plug

Series No.
 DS1124-05



GENERAL TOLERANCE		ANGLE TOLERANCE		PROJECTION		TITLE	
X.	±0.60	X.	±5°	UNITS	mm	PLUG 10P HOOD SHORT TYPE	
.X	±0.38	.X	±3°	SHEET SIZE	A4	SERIES	DS1124-05 SERIES
.XX	±0.25	.XX	±2°	晨翔电子有限公司 CONNFLY CONNFLY ELECTRONIC CO. LTD			
DRAWING TYPE		CUSTOMER					
SCALE	1:1	SHEET	1 OF 1				
DRAWING NO.		CIDS1124-05-PX					

REV.	DESCRIPTION	DRAWN	CHECKED	APPROVED
A	NEW RELEASE	YCH 08/26/07'	~	

SPECIFICATION

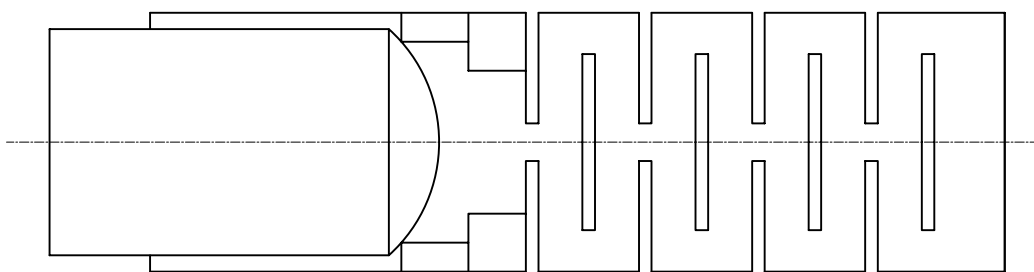
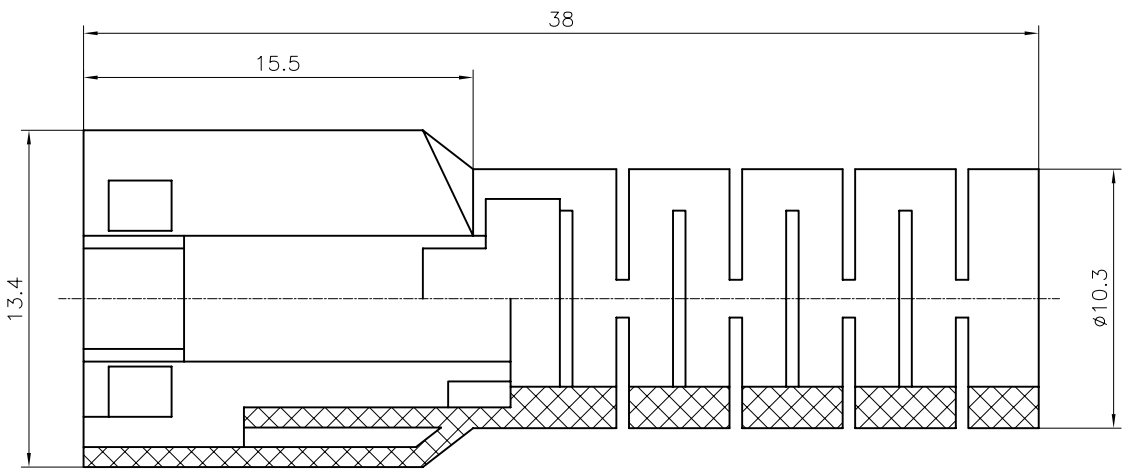
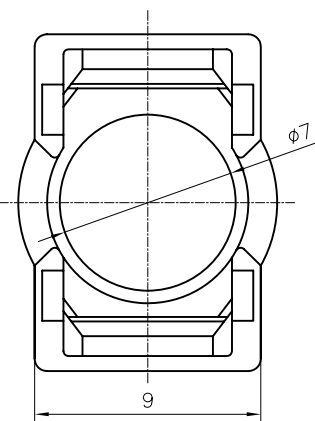
- MATERIAL: PVC
- Product Number Code:

DS1124-06 - P X

Hood Color
V:Ivory
A:Gray
R:Red
G:Green
B:Black
Y:Yellow

Connector Type
P:Plug


Series No.
DS1124-06



GENERAL TOLERANCE		ANGLE TOLERANCE	
X.	±0.60	X.	±5°
.X	±0.38	.X	±3°
.XX	±0.25	.XX	±2°

PROJECTION		TITLE	PLUG 10P HOOD LONG TYPE
UNITS	mm	SERIES	DS1124-06 SERIES

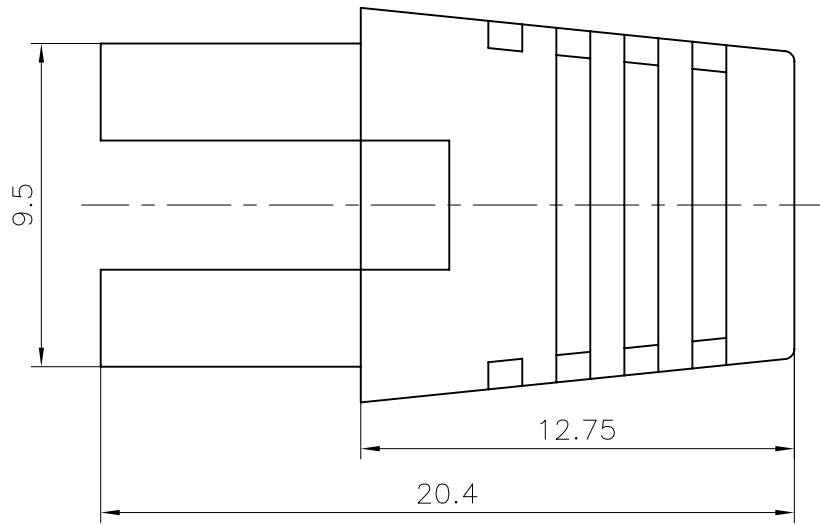
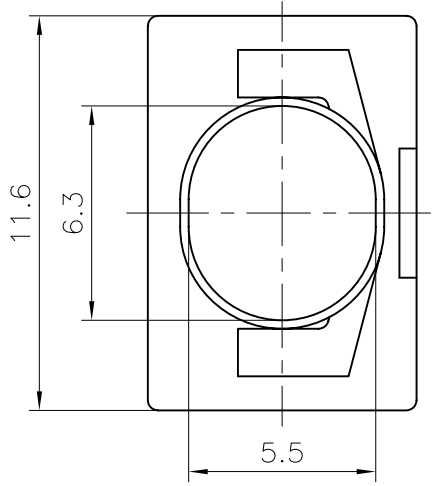
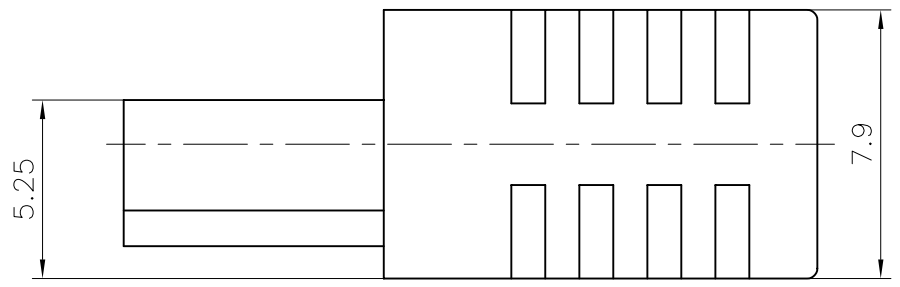
DRAWING TYPE	CUSTOMER		
SCALE	1:1	SHEET	1 OF 1
DRAWING NO.	CIDS1124-06-PX		

 **晨翔电子有限公司**
CONNFLY CONNFLY ELECTRONIC CO. LTD

REV.	DESCRIPTION	DRAWN	CHECKED	APPROVED
A	NEW RELEASE	YCH 08/26/07'	~	

SPECIFICATION

- MATERIAL: PVC
- Product Number Code:
 DS1124-07 - P X
 Hood Color
 V:Ivory
 A:Gray
 R:Red
 G:Green
 B:Black
 Y:Yellow
 Connector Type
 P:Plug
 Series No.
 DS1124-07



GENERAL TOLERANCE		ANGLE TOLERANCE		PROJECTION		TITLE	PLUG 10P HOOD INSERT TYPE
X.	±0.60	X.	±5°	UNITS	mm	SHEET SIZE	A4
.X	±0.38	.X	±3°			SERIES	DS1124-07 SERIES
.XX	±0.25	.XX	±2°				
DRAWING TYPE		CUSTOMER		晨翔电子有限公司 CONNFLY CONNFLY ELECTRONIC CO. LTD			
SCALE	1:1	SHEET	1 OF 1				
DRAWING NO.	CIDS1124-07-PX						