

REV.	DESCRIPTION	DRAWN	CHECKED	APPROVED
A	NEW RELEASE	LJC 01/11/09		

NOTES:

- SPECIFICATION:
 - Current Rating: 1.5A.
 - Insulation Resistance: 1000MΩ min.
 - Dielectric Withstanding: 500V for One minute.
 - Contact resistance: 50mΩ max.
 - Operating Temperature: -40°C to +105°C

2. MATERIALS

- Housing: Thermoplastic(UL94 V-0).
- Contact: Copper alloy.
- Shell: Steel.

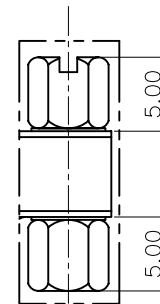
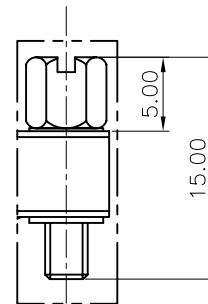
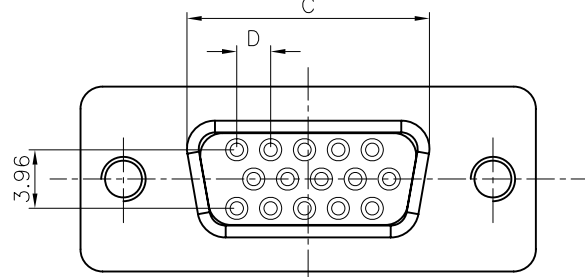
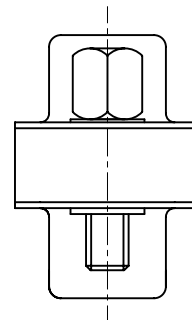
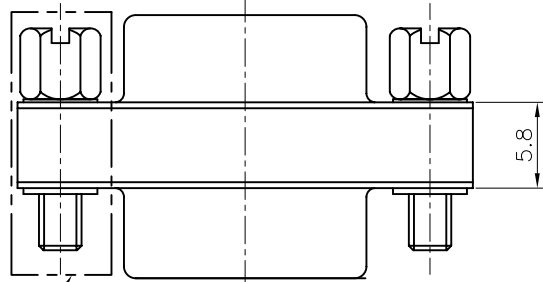
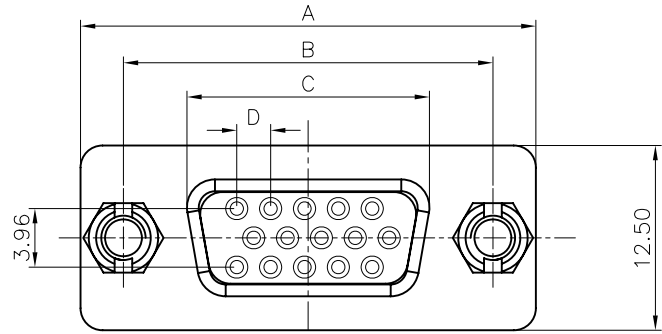
3. Product Number code:

DS1082-03 - X X X X X

- Screw type
- CC: CC type
- DS: DS type
- Shell plating
- N: All Nickel
- 6: All Tin
- Housing color
- B: black
- L: blue
- Contact plating
- 8: Full gold flash

Connector type

- 15F: 15Female & 15Female
- 15M: 15Male & 15Female
- 15P: 15Male & 15Male
- 26F: 26Female & 26Female
- 26M: 26Male & 26Female
- 26P: 26Male & 26Male
- 44F: 44Female & 44Female
- 44M: 44Male & 44Female
- 44P: 44Male & 44Male
- 62F: 62Female & 62Female
- 62M: 62Male & 62Female
- 62P: 62Male & 62Male



CC TYPE

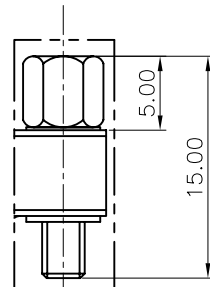
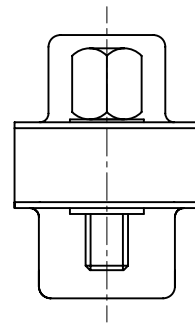
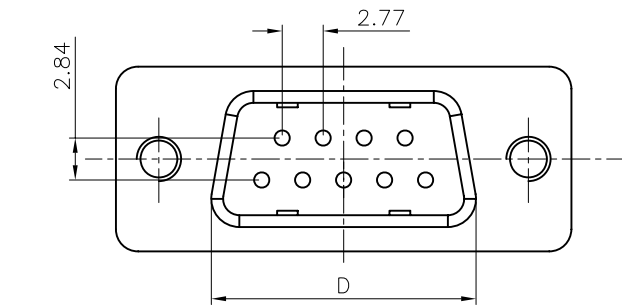
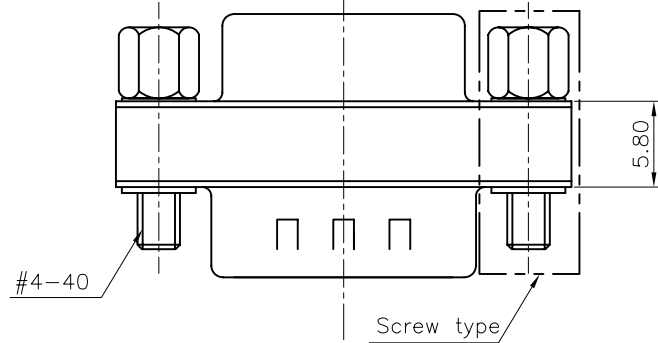
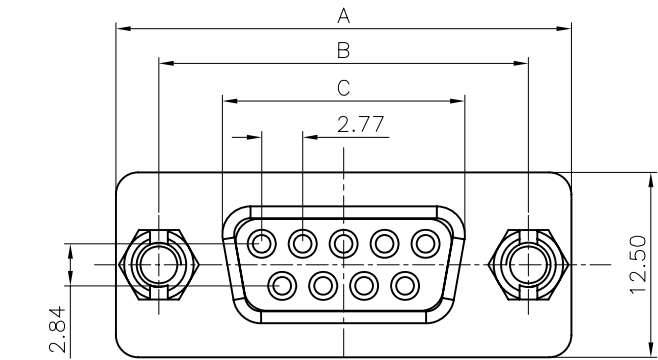
DS TYPE

Dimension

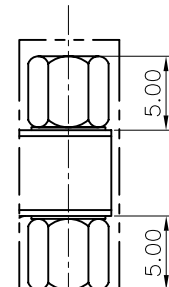
Position	A±0.2	B±0.2	C±0.2		D±0.2
			FEMALE	MALE	
15	30.80	24.99	16.33	17.90	2.29
26	39.14	33.32	24.66	26.50	2.29
44	53.04	47.04	38.38	40.00	2.29
62	69.32	63.50	54.84	56.50	2.41

GENERAL TOLERANCE		ANGLE TOLERANCE		PROJECTION		TITLE	H.D-SUB ADAPTOR	
X.	±0.60	X.	±5°	UNITS	mm			
.X	±0.38	.X	±3°	SHEET SIZE	A4	SERIES	DS1082-03	SERIES
.XX	±0.25	.XX	±2°	晨翔电子有限公司 CONNFLY CONNFLY ELECTRONIC CO. LTD				
DRAWING TYPE		CUSTOMER						
SCALE		1:1	SHEET	1 OF 1				
DRAWING NO.		C-DS1082-03-XXXXX						

REV.	DESCRIPTION	DRAWN	CHECKED	APPROVED
A	NEW RELEASE	LL 10/09/06		



CC TYPE



DS TYPE

NOTES:

1. SPECIFICATION:

- . Current Rating: 1.5A.
- . Insulation Resistance: 1000MΩ min.
- . Dielectric Withstanding: 500V for One minute.
- . Contact resistance: 50mΩ max.
- . Operating Temperature: -40°C to +105°C

2. MATERIALS

- . Housing: Thermoplastic(UL94 V-0).
- . Contact: Copper alloy.
- . Shell: Steel.

3. Product Number code:

DS1082-02 - X X X X X

- Screw type
- CC: CC type
- DS: DS type
- Shell plating
- N: All Nickel
- 6: All Tin
- Housing color
- B: black
- L: blue
- Contact plating
- 8: Full gold flash

- Connector type
- 9F: 9Female & 9Female
- 9M: 9Mlae & 9Female
- 9P: 9Mlae & 9Male
- 15F: 15Female & 15Female
- 15M: 15Mlae & 15Female
- 15P: 15Mlae & 15Male
- 25F: 25Female & 25Female
- 25M: 25Mlae & 25Female
- 25P: 25Mlae & 25Male
- 37F: 37Female & 37Female
- 37M: 37Mlae & 37Female
- 37P: 37Mlae & 37Male

Dimension

Position	A±0.2	B±0.2	C±0.2	D±0.2
9	30.80	24.99	16.33	17.90
15	39.14	33.32	24.66	26.50
25	53.04	47.04	38.38	40.00
37	69.32	63.50	54.84	56.50

GENERAL TOLERANCE		ANGLE TOLERANCE	
X.	±0.60	X.	±5°
.X	±0.38	.X	±3°
.XX	±0.25	.XX	±2°

PROJECTION	TITLE	D-SUB ADAPTOR	
UNITS	mm	SERIES	DS1082-02 SERIES
SHEET SIZE	A4	SERIES	DS1082-02 SERIES

DRAWING TYPE	CUSTOMER		
SCALE	1:1	SHEET	1 OF 1
DRAWING NO.	C-DS1082-02-XXXXX		



晨翔电子有限公司

CONNFLY CONNFLY ELECTRONIC CO. LTD