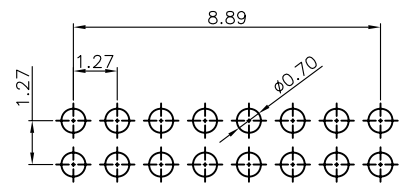
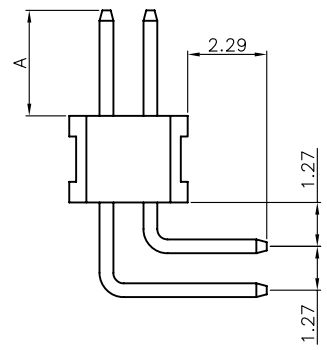
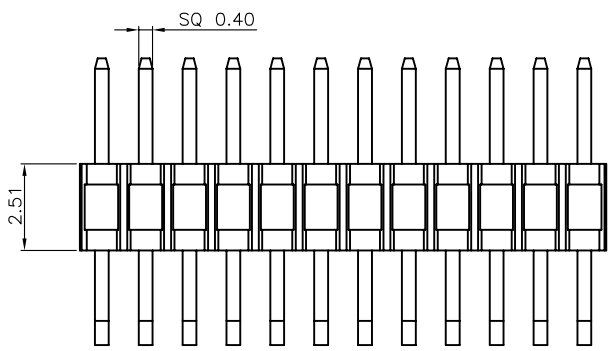
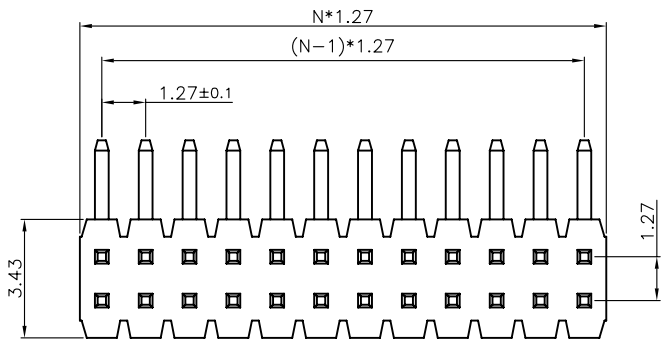


REV.	DESCRIPTION	DRAWN	CHECKED	APPROVED
A	NEW RELEASE	YCH 05/10/12'	~	

N:NUMBER OF CONTACTS



RECOMMEND PCB LAYOUT
(TOLERANCE=±0.05)

NOTES:

- MATERIAL
 - INSULATOR:THERMOPLASTIC(UL 94V-0).
 - CONTACT MATERIAL:COPPER ALLOY.
- SPECIFICATION
 - CURRENT RATING:1.0 Amp.
 - INSULATION RESISTANCE:500MΩ Min.
 - DIELECTRIC WITHSTANDING:600VAC.
 - CONTACT RESISTANCE:20mΩ Max.
 - OPERATING TEMPERATURE:-45°C TO+110°C.

3. PART NUMBER: DS1031-38

4. PRODUCT NUMBER CODE:

DS1031-38 - X X X X X X

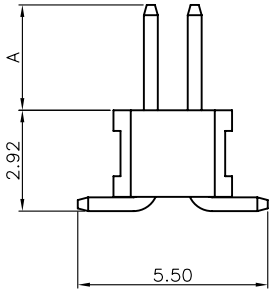
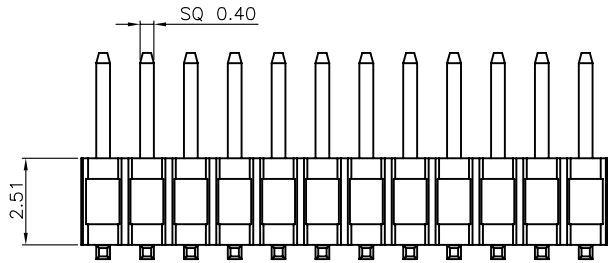
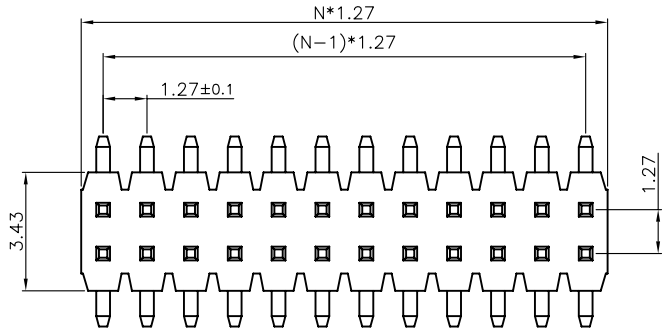
- DIM.A B TYPE
- 1: TYPE 1
- 2: TYPE 2
-
- MOUNTING TYPE
- R: R/A
- HOUSING COLOR
- B:BLACK
- CONTACT PLATING
- 8: FULL GOLD FLASH
- CONNECTOR TYPE
- P:PLUG
- No.OF CONTACTS
- 2*2-2*50

TYPE	DIM A
1	3.05
2	1.91
3	1.65
4	3.81
5	
6	
7	
8	

GENERAL TOLERANCE		ANGLE TOLERANCE		PROJECTION		TITLE	DOUBLE ROW PIN HEADER PITCH	
X.	±0.60	X.	±5°	UNITS	mm	1.27mm R/A TYPE		
.X	±0.38	.X	±3°	SHEET SIZE	A4	SERIES	DS1031-38 SERIES	
.XX	±0.25	.XX	±2°	晨翔电子有限公司 CONNFLY CONNFLY ELECTRONIC CO. LTD				
DRAWING TYPE		CUSTOMER						
SCALE	1:1	SHEET	1 OF 1					
DRAWING NO.		C-DS1031-38-XXXXX						

REV.	DESCRIPTION	DRAWN	CHECKED	APPROVED
A	NEW RELEASE	YCH 05/10/12'	~	

N:NUMBER OF CONTACTS



TYPE	DIM A
1	3.05
2	1.91
3	1.65
4	3.81
5	
6	
7	
8	

NOTES:

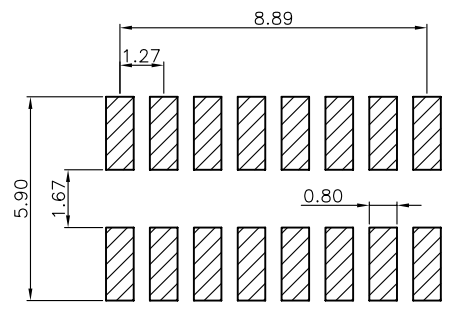
- MATERIAL
 - INSULATOR:THERMOPLASTIC(UL 94V-0).
 - CONTACT MATERIAL:COPPER ALLOY.
- SPECIFICATION
 - CURRENT RATING:1.0 Amp.
 - INSULATION RESISTANCE:500MΩ Min.
 - DIELECTRIC WITHSTANDING:600VAC.
 - CONTACT RESISTANCE:20mΩ Max.
 - OPERATING TEMPERATURE:-45°C TO+110°C.

3. PART NUMBER: DS1031-37

4. PRODUCT NUMBER CODE:

DS1031-37 - X X X X X X

- DIM.A B TYPE
- 1: TYPE 1
- 2: TYPE 2
-
- MOUNTING TYPE
- S: SMT TYPE
- HOUSING COLOR
- B:BLACK
- CONTACT PLATING
- 8: FULL GOLD FLASH
- CONNECTOR TYPE
- P:PLUG
- No.OF CONTACTS
- 2*2-2*50

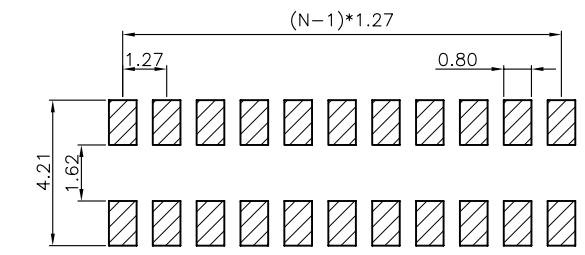
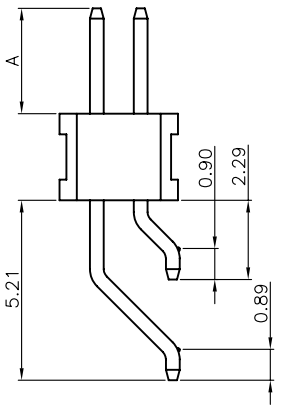
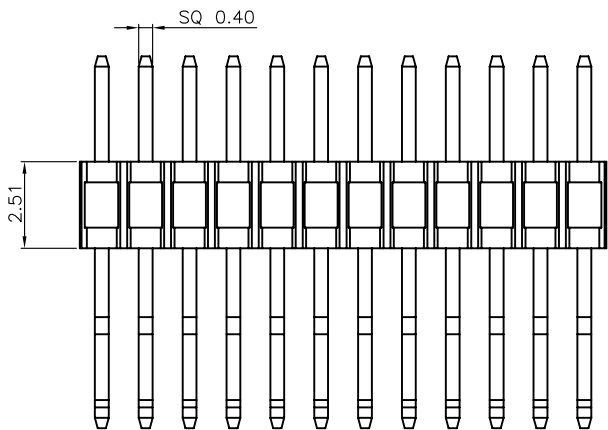
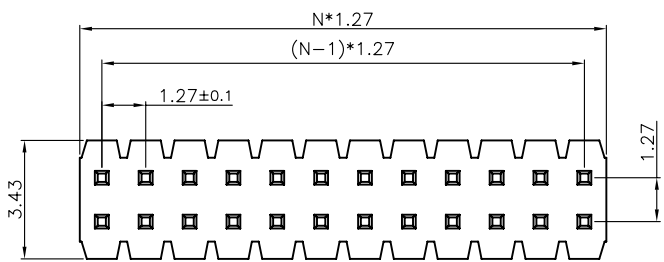


RECOMMEND PCB LAYOUT
(TOLERANCE=±0.05)

GENERAL TOLERANCE		ANGLE TOLERANCE		PROJECTION		TITLE	DOUBLE ROW PIN HEADER PITCH
X.	±0.60	X.	±5°	UNITS	mm	1.27mm V/T-SMT TYPE	
.X	±0.38	.X	±3°	SHEET SIZE	A4	SERIES	DS1031-37 SERIES
.XX	±0.25	.XX	±2°	晨翔电子有限公司 CONNFLY CONNFLY ELECTRONIC CO. LTD			
DRAWING TYPE		CUSTOMER					
SCALE	1:1	SHEET	1 OF 1				
DRAWING NO.		C-DS1031-37-XXXXX					

REV.	DESCRIPTION	DRAWN	CHECKED	APPROVED
A	NEW RELEASE	YCH 05/10/12'	~	

N:NUMBER OF CONTACTS



RECOMMEND PCB LAYOUT
(TOLERANCE=±0.05)

NOTES:

- MATERIAL
 - INSULATOR:THERMOPLASTIC(UL 94V-0).
 - CONTACT MATERIAL:COPPER ALLOY.
- SPECIFICATION
 - CURRENT RATING:1.0 Amp.
 - INSULATION RESISTANCE:500MΩ Min.
 - DIELECTRIC WITHSTANDING:600VAC.
 - CONTACT RESISTANCE:20mΩ Max.
 - OPERATING TEMPERATURE:-45°C TO+110°C.

3. PART NUMBER: DS1031-35

4. PRODUCT NUMBER CODE:

DS1031-35 - X X X X X X X

- PACKING TYPE
T: TRAY
R: TAPE ON REEL
B: TUBE
- DIM.A B TYPE
1: TYPE 1
2: TYPE 2
.....
- MOUNTING TYPE
S: SMT TYPE
- HOUSING COLOR
B:BLACK
- CONTACT PLATING
8: FULL GOLD FLASH
- CONNECTOR TYPE
P:PLUG
- No.OF CONTACTS
2*2-2*50

TYPE	DIM A
1	3.05
2	1.91
3	1.65
4	3.81
5	
6	
7	
8	

GENERAL TOLERANCE		ANGLE TOLERANCE		PROJECTION		TITLE	DOUBLE ROW PIN HEADER PITCH
X.	±0.60	X.	±5°	UNITS	mm	1.27mm R/A-SMT TYPE	
.X	±0.38	.X	±3°	SHEET SIZE	A4	SERIES	DS1031-35 SERIES
.XX	±0.25	.XX	±2°	晨翔电子有限公司 CONNFLY CONNFLY ELECTRONIC CO. LTD			
DRAWING TYPE		CUSTOMER					
SCALE	1:1	SHEET	1 OF 1				
DRAWING NO.		C-DS1031-35-XXXXXX					

REV.	DESCRIPTION	DRAWN	CHECKED	APPROVED
A	NEW RELEASE	YCH 05/10/12'	~	

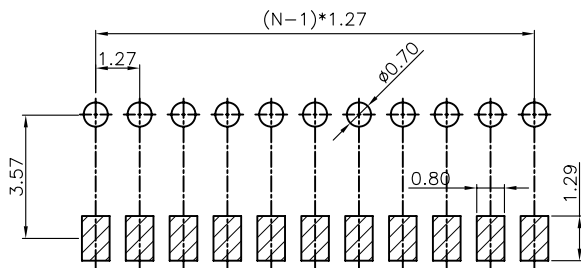
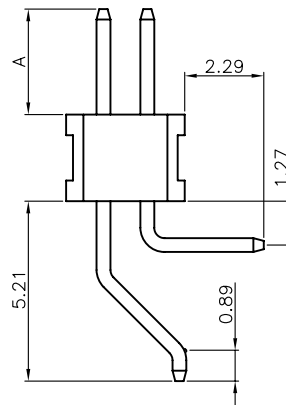
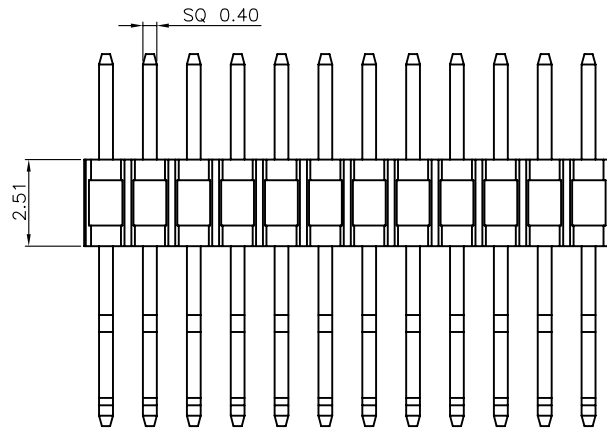
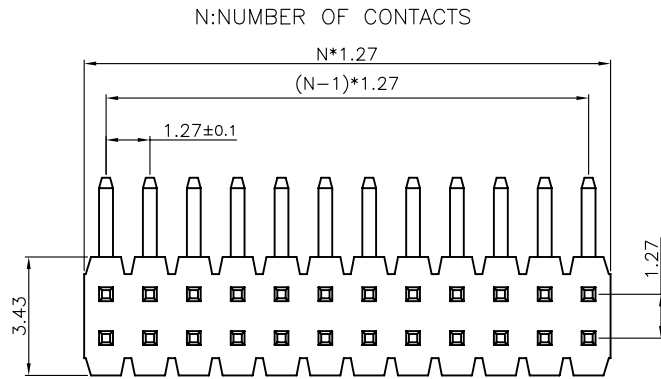
NOTES:

- MATERIAL
 - INSULATOR:THERMOPLASTIC(UL 94V-0).
 - CONTACT MATERIAL:COPPER ALLOY.
- SPECIFICATION
 - CURRENT RATING:1.0 Amp.
 - INSULATION RESISTANCE:500MΩ Min.
 - DIELECTRIC WITHSTANDING:600VAC.
 - CONTACT RESISTANCE:20mΩ Max.
 - OPERATING TEMPERATURE:-45°C TO+110°C.
- PART NUMBER: DS1031-36
- PRODUCT NUMBER CODE:

DS1031-36 - X X X X X

- DIM.A B TYPE
- 1: TYPE 1
- 2: TYPE 2
-
- HOUSING COLOR
- B:BLACK
- CONTACT PLATING
- 8: FULL GOLD FLASH
- CONNECTOR TYPE
- P:PLUG
- No.OF CONTACTS
- 2*2-2*50

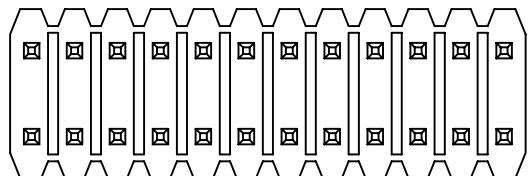
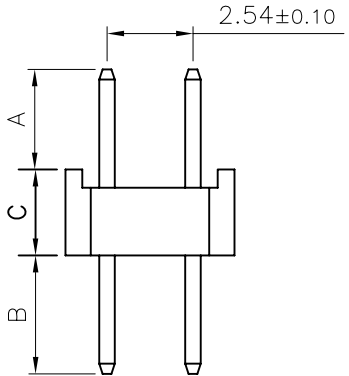
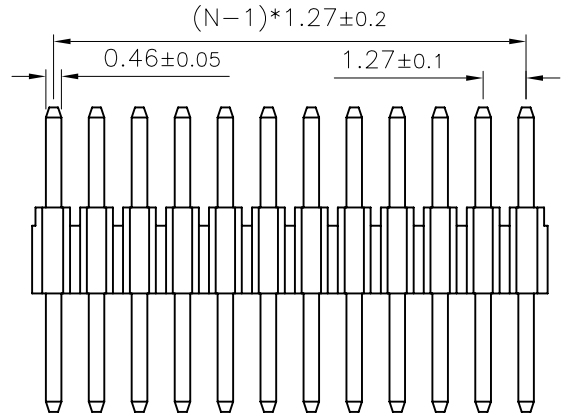
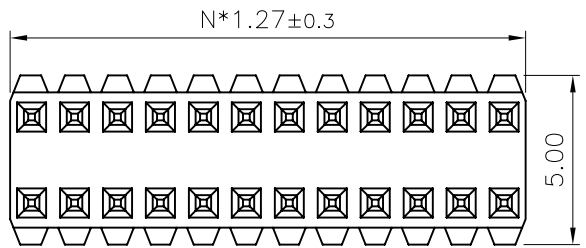
TYPE	DIM A
1	3.05
2	1.91
3	1.65
4	3.81
5	
6	
7	
8	



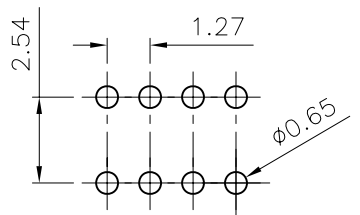
RECOMMEND PCB LAYOUT
(TOLERANCE=±0.05)

GENERAL TOLERANCE		ANGLE TOLERANCE		PROJECTION		TITLE	DOUBLE ROW PIN HEADER PITCH	
X.	±0.60	X.	±5°	UNITS	mm	1.27mm TYPE		
.X	±0.38	.X	±3°	SHEET SIZE	A4	SERIES	DS1031-36 SERIES	
.XX	±0.25	.XX	±2°	晨翔电子有限公司 CONNFLY CONNFLY ELECTRONIC CO. LTD				
DRAWING TYPE		CUSTOMER						
SCALE	1:1	SHEET	1 OF 1					
DRAWING NO.		C-DS1031-36-XXXXX						

REV.	DESCRIPTION	DRAWN	CHECKED	APPROVED
A	NEW RELEASE	YCH 04/23/10'	~	LJC 04/23/10'
B	修改标注错误	YCH 04/29/10'	~	LJC 04/29/10'
C	整理图面	YCH 03/31/11'	~	



N: HALF OF CONTACTS



(TOLERANCE=±0.05)
RECOMMEND PCB LAYOUT

NOTES:

- MATERIAL
 - INSULATOR:THERMOPLASTIC(UL 94V-0)..
 - CONTACT MATERIAL:COPPER ALLOY.
- SPECIFICATION
 - CURRENT RATING:1.0 Amp.
 - INSULATION RESISTANCE:500MΩ Min.
 - DIELECTRIC WITHSTANDING:300VAC.
 - CONTACT RESISTANCE:20mΩ Max.
 - OPERATING TEMPERATURE:-40°C TO+105°C.

3. PRODUCT NUMBER CODE:

DS1031-30 - X X X X X X X X

- DIM.A B TYPE
 - 1: TYPE 1
 - 2: TYPE 2
 - 3: TYPE 3
- HOUSING HEIGHT(DIM. C)
 - 5: 2.54mm
- MOUNTING TYPE
 - V: VERTICAL TYPE
- HOUSING COLOR
 - B:BLACK
- CONTACT PLATING
 - 8: FULL GOLD FLASH
- CONNECTOR TYPE
 - P:PLUG
- No.OF CONTACTS
 - 2*1-2*40

10		
11		
12		
13		
14		
15		
16		
17		

TYPE	DIM A	DIM B
1	3.70	2.10
2	3.00	3.00
3	3.00	3.50
4		
5		
6		
7		
8		
9		

GENERAL TOLERANCE		ANGLE TOLERANCE		PROJECTION		TITLE	1.27*2.54mm PITCH PIN HEADER DUAL ROW STRAIGHT		
X.	±0.60	X.	±5°	UNITS	mm	SHEET SIZE	A4	SERIES	DS1031-30 SERIES
.X	±0.38	.X	±3°	晨翔电子有限公司 CONNFLY CONNFLY ELECTRONIC CO. LTD					
.XX	±0.25	.XX	±2°						
DRAWING TYPE		CUSTOMER							
SCALE		1:1	SHEET	1 OF 1					
DRAWING NO.		C-DS1031-30-XXXXXXX							

REV.	DESCRIPTION	DRAWN	CHECKED	APPROVED
A	NEW RELEASE	YCH 04/28/11'	~	

NOTES:

- MATERIAL
 - INSULATOR:THERMOPLASTIC(UL 94V-0).
 - CONTACT MATERIAL:COPPER ALLOY.
- SPECIFICATION
 - CURRENT RATING:1.0 Amp.
 - INSULATION RESISTANCE:500MΩ Min.
 - DIELECTRIC WITHSTANDING:300VAC.
 - CONTACT RESISTANCE:20mΩ Max.
 - OPERATING TEMPERATURE:-40°C TO+105°C.
- PRODUCT NUMBER CODE:

DS1031-31 - X X X X X X X

PACKING TYPE
A: POLYBAG
B: TUBE
R: TAPE ON REEL

DIM.A B TYPE
1: TYPE 1

POST SUPPORT TYPE
S: W/ POST
X: W/O POST

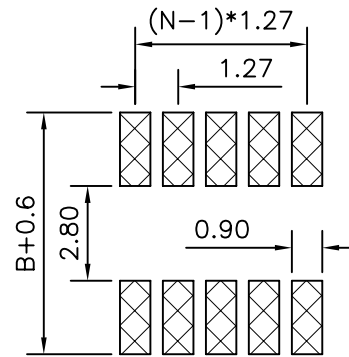
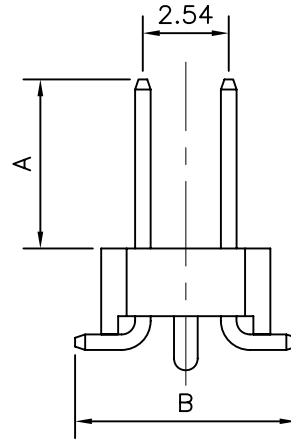
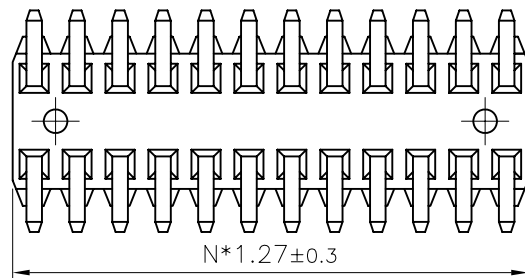
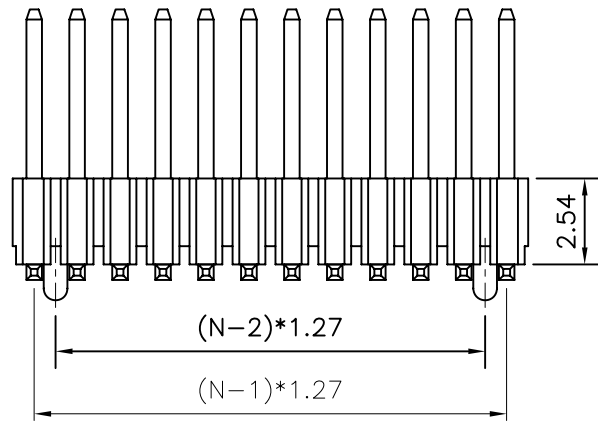
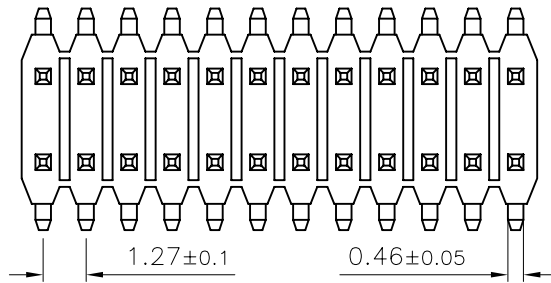
HOUSING COLOR
B:BLACK

CONTACT PLATING
8: FULL GOLD FLASH

CONNECTOR TYPE
P:PLUG

No.OF CONTACTS
2*2-2*40

TYPE	DIM A	DIM B
1	5.00	6.55
2		
3		
4		
5		
6		
7		
8		
9		




(TOLERANCE= ± 0.05)
RECOMMEND PCB LAYOUT

N: HALF OF CONTACTS

GENERAL TOLERANCE		ANGLE TOLERANCE	
X.	± 0.60	X.	$\pm 5^\circ$
.X	± 0.38	.X	$\pm 3^\circ$
.XX	± 0.25	.XX	$\pm 2^\circ$

DRAWING TYPE	CUSTOMER		
SCALE	1:1	SHEET	1 OF 1
DRAWING NO.	C-DS1031-31-XXXXXXX		

PROJECTION	TITLE
UNITS	1.27*2.54mm PITCH PIN HEADER SMT TYPE
SHEET SIZE	SERIES DS1031-31 SERIES

 晨翔电子有限公司
CONNFLY CONNFLY ELECTRONIC CO. LTD

REV.	DESCRIPTION	DRAWN	CHECKED	APPROVED
A	NEW RELEASE	YCH 06/16/12'	~	

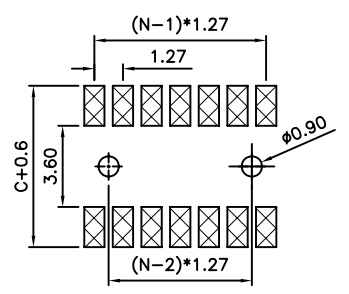
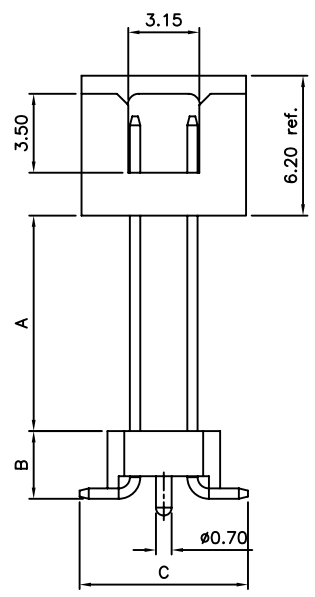
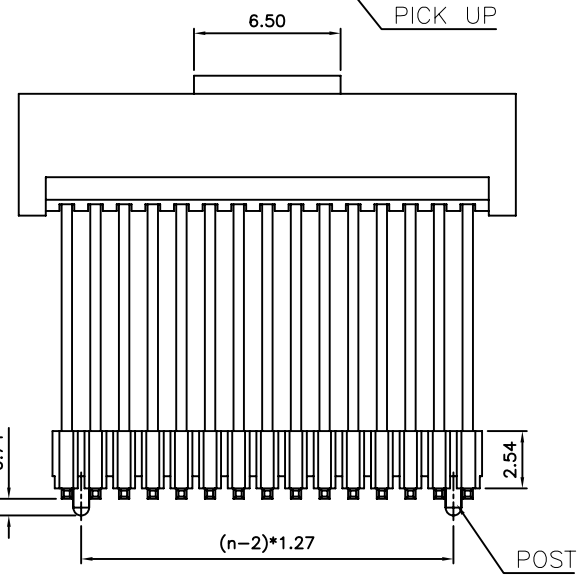
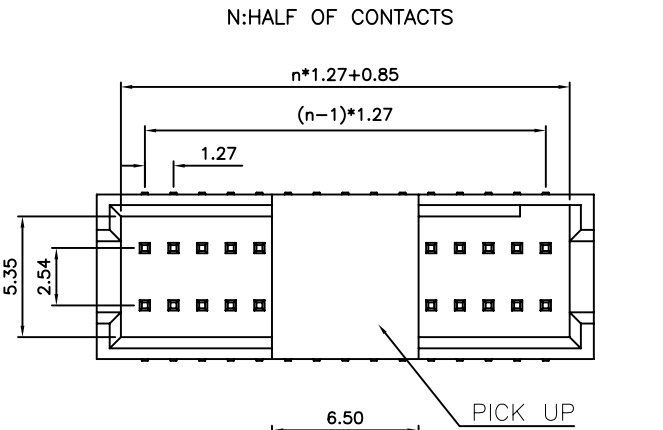
NOTES:

- MATERIAL
 - INSULATOR:THERMOPLASTIC(UL 94V-0).
 - CONTACT MATERIAL:COPPER ALLOY.
- SPECIFICATION
 - CURRENT RATING:1.0 Amp.
 - INSULATION RESISTANCE:500MΩ Min.
 - DIELECTRIC WITHSTANDING:300VAC.
 - CONTACT RESISTANCE:20mΩ Max.
 - OPERATING TEMPERATURE:-40°C TO+105°C.
- PRODUCT NUMBER CODE:

DS1031-32 - X X X X X X X X

- PACKING TYPE
 - A: POLYBAG
 - B: TUBE
 - R: TAPE ON REEL
- DIM.A B TYPE
 - 1: TYPE 1
- PICK UP SUPPORT TYPE
 - S: W/ POST
 - X: W/O POST
- POST SUPPORT TYPE
 - S: W/ POST
 - X: W/O POST
- HOUSING COLOR
 - B:BLACK
- CONTACT PLATING
 - 8: FULL GOLD FLASH
- CONNECTOR TYPE
 - P:PLUG
- No.OF CONTACTS
 - 2*2-2*40

TYPE	DIM A	DIM B	DIM C
1	9.50	3.00	7.50
2			
3			
4			
5			
6			
7			
8			
9			




(TOLERANCE=±0.05)
RECOMMEND PCB LAYOUT

GENERAL TOLERANCE		ANGLE TOLERANCE	
X.	±0.60	X.	±5°
.X	±0.38	.X	±3°
.XX	±0.25	.XX	±2°

PROJECTION	TITLE
mm	1.27*2.54mm PIN HEADER & BOX HEADER SMT TYPE
SHEET SIZE	SERIES
A4	DS1031-32 SERIES

DRAWING TYPE	CUSTOMER		
SCALE	1:1	SHEET	1 OF 1
DRAWING NO.	C-DS1031-32-XXXXXXXX		


晨翔电子有限公司
CONNPLY CONNPLY ELECTRONIC CO. LTD