

Low Ohm (Metal Strip) Chip Resistor- LRM Series

■ Features

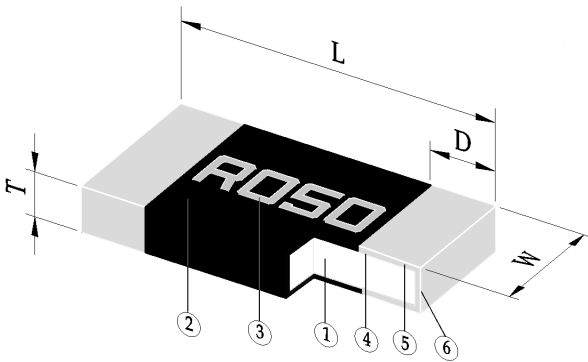
- High power rating up to 3 Watts
- Low TCR down to ± 75 PPM/ $^{\circ}$ C
- Resistance values from 10m to 50m ohm
- Customized resistance available

■ Applications

- NB (for Power Management)
- MB (for Power Management)
- SWPS (DC-DC Converter, Charger, Adaptor)
- Monitor (for Power Management)



■ Construction



① Alloy Plate	④ Internal Electrode (Cu)
② Overcoat (molding)	⑤ Barrier Layer (Ni)
③ Marking	⑥ Solder Plating (Sn)

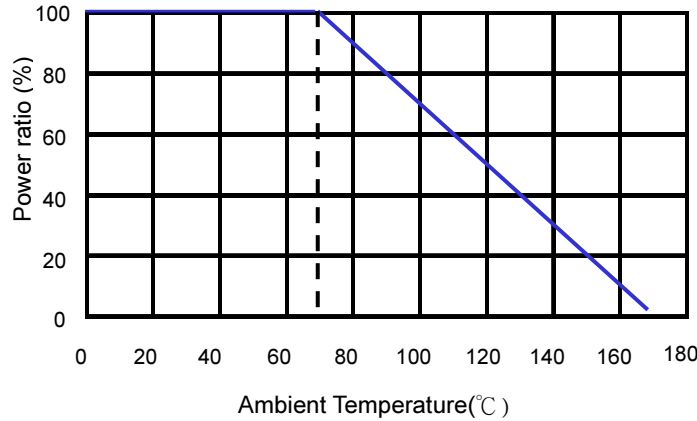
Black – Wave or IR reflow soldering

■ Dimensions

Part No.	Resistance (m Ω)	Material	L (mm)	W (mm)	T (mm)	D (mm)	Weight (g) (1000pcs)
LRM05□TE□□□□M	5, 9, 10, 20	MnCu	2.00 \pm 0.10	1.25 \pm 0.10	0.60 \pm 0.20	0.40 \pm 0.20	15.00
LRM06□TFR001M	1	MnCu	3.20 \pm 0.20	1.60 \pm 0.20	0.75 \pm 0.20	1.10 \pm 0.30	18.80
LRM06□T□□□□□M	2-30	MnCu	3.20 \pm 0.20	1.60 \pm 0.20	0.60 \pm 0.20	0.50 \pm 0.30	18.80
LRM10□T□□□□□	5, 6, 10, 15, 20	NiCu	5.00 \pm 0.20	2.50 \pm 0.20	0.60 \pm 0.20	0.60 \pm 0.30	40.50
LRM12□T□□□□□M	0.5, 0.75	MnCu	6.40 \pm 0.20	3.20 \pm 0.20	0.60 \pm 0.20	2.60 \pm 0.20	90.90
LRM12□T□□□□□M	5, 10, 20, 25, 30, 40, 50	MnCu	6.40 \pm 0.20	3.20 \pm 0.20	0.60 \pm 0.20	0.90 \pm 0.20	90.90
LRM12□T□□□□□	4-50	NiCu	6.40 \pm 0.20	3.20 \pm 0.20	0.60 \pm 0.20	0.90 \pm 0.20	90.90
LRM12□T□□□□□	1, 1.5, 2, 3	NiCu	6.40 \pm 0.20	3.20 \pm 0.20	0.60 \pm 0.20	2.0 \pm 0.20	90.90
LRM12□T□□□□□	2, 3, 4	NiCu	6.40 \pm 0.20	3.20 \pm 0.20	0.70 \pm 0.20	2.0 \pm 0.20	90.90
LRM12□T□□□□□	10-100	NiCu	6.40 \pm 0.20	3.20 \pm 0.20	0.70 \pm 0.20	0.90 \pm 0.20	90.90

Low Ohm (Metal Strip) Chip Resistor

Derating Curve



Part Numbering

LRM	12	J	T	E	S	R010	
Product Type	Dimensions (L×W)	Resistance Tolerance	Packaging Code	TCR (PPM/°C)	Power Rating	Resistance	Marking
	05: 0805 06: 1206 10: 2010 12: 2512	F: ±1% G: ±2% J: ±5%	T: Taping Reel	3: ±275 F: ±200 E: ±100 W: ±75	R: 3W S: 2W A: 1.5W T: 1W Q: 3/4W U: 1/2W O: 1/3W V: 1/4W W: 1/8W	R001: 0.001Ω R010: 0.01Ω R050: 0.05Ω	: NiCu Material M: MnCu Material N: No Marking

Electrical Specifications

For MnCu Material

Item Type	Power Rating at 70°C	Operating Temp. Range	Resistance Range (mΩ)		TCR (PPM/°C)	T (mm)
			±1%	±5%		
LRM05 (0805)	1/8W 1/4W 1/2W	-55 ~ +170°C	5, 9, 10, 20		±100	0.60±0.20
LRM06 (1206)	1/4W 1/2W 1W	-55 ~ +170°C	1		±200	0.60±0.20
			2, 3, 4, 5, 6, 7, 8, 9, 10		±100	
LRM12 (2512)	1W 2W	-55 ~ +170°C	12, 14, 15, 20, 22, 25, 30		±75	0.60±0.20
			0.5, 0.75		±200	
	1W		20, 25, 30, 40, 50		±100	

For NiCu Material

Item Type	Power Rating at 70°C	Operating Temp. Range	Resistance Range (mΩ)		TCR (PPM/°C)	T (mm)
			±1%	±5%		
LRM10 (2010)	1/2W 3/4W 1W 1.5W	-55 ~ +170°C	5, 6, 10		±100	0.60±0.20
			15, 20		±75	
LRM12 (2512)	1W 2W	-55 ~ +170°C	1, 1.5		±275	0.60±0.20
			2, 3, 4, 5, 6, 7, 8, 10		±100	
	1W		12, 15, 18, 20, 25, 30, 33, 35, 40, 50		±75	
	1W 2W 3W		2, 3, 4, 10, 12, 15, 18, 20, 25, 30, 39, 40, 50, 60, 70, 80, 100		±75	0.70±0.20

Operating Current = $\sqrt{P/R}$, Operating Voltage = $\sqrt{P \cdot R}$

■ Viking is capable of manufacturing the optional spec based on customer's requirement.

■ Environmental Characteristics

Item	Requirement	Test Method
Temperature Coefficient of Resistance (T.C.R.)	As Spec.	IEC60115-1 4.8 JIS-C-5201-1 4.8 +25/-55/+25/+125/+25°C
Short Time Overload	0805 & 2010 & 2512: ±0.5% 1206: ±1%	IEC60115-1 4.13 JIS-C-5201-1 4.13 5*rated power for 5 seconds
Insulation Resistance	>100MΩ	IEC60115-1 4.6 JIS-C-5201-1 4.13 100V DC for 1 minute
Endurance	±1.0%	IEC60115-1 4.25.1 JIS-C-5201-1 4.25.1 70±2°C, rated power for 1000 hrs with 1.5 hrs "ON" and 0.5 hrs "OFF"
Damp Heat no Load	2512 0.5mΩ, 0.75mΩ & 1206: ±0.5% Other sizes: ±1.0%	IEC60115-1 4.24.2.1a JIS-C-5201-1 4.24.2.1a 85°C, 85%RH, 1000 hrs
Dry Heat	±1.0%	IEC60115-1 4.23.2 JIS-C-5201-1 4.23.2 at +170°C for 1000 hrs
Bending Strength	±1.0%	JIS-C-5201-1 4.33 IEC-60115-1 4.33 Bending width 2mm once for 5 seconds
Solderability	95% min. coverage	JIS-C-5201-1 4.17 IEC-60115-1 4.17 245±5°C for 2 seconds
Resistance to Soldering Heat	±0.5%	JIS-C-5201-1 4.18 IEC-60115-1 4.18 0805&2010: 260±5°C for 10 seconds 1206&2512: 260±5°C for 20 seconds
Thermal Shock	0805 & 2010: ±0.5% 1206 & 2512: ±1%	JIS-C-5201-1 4.19 IEC-60115-1 4.19 -55°C ~ 150°C, 300 cycles, 15min per extreme condition.
Low Temperature Storage	0805 & 2010 & 2512: ±0.5% 1206 : ±1%	IEC60115-1 4.23.4 JIS-C-5201-1 4.23.4 at -55°C for 1000 hrs

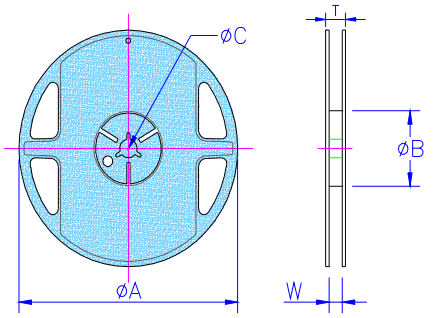
RCWV(Rated continuous working voltage)= $\sqrt{P \cdot R}$ or Max. Operating voltage whichever is lower

■ Storage Temperature: 25±3°C; Humidity < 80%RH

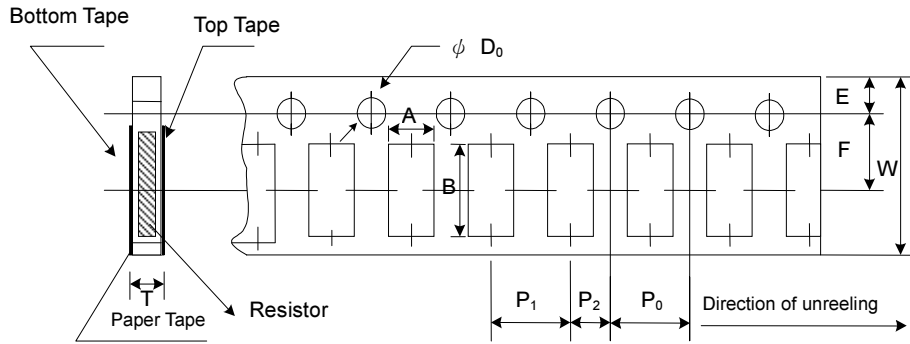
■ Packaging

Reel Specifications & Packaging Quantity

Type	Packaging Quantity	Tape Width	Reel Diameter	ΦA (mm)	ΦB (mm)	ΦC (mm)	W (mm)	T (mm)	
LRM05	Paper	5K	8mm	7 inch	178±2.0	60±1.0	13.0±1.0	9.0±1.0	11.4±1.0
LRM06	Paper	5K	8mm	7 inch	178±2.0	60±1.0	13.0±1.0	9.0±1.0	11.5±1.0
LRM10	Embossed	4K	12mm	7 inch	178±2.0	60±1.0	13.0±1.0	13.0±1.0	15.5±1.0
LRM12	Embossed	4K	12mm	7 inch	180+0/-3	60±1.0	13.0±1.0	13.0±1.0	15.4±2.0

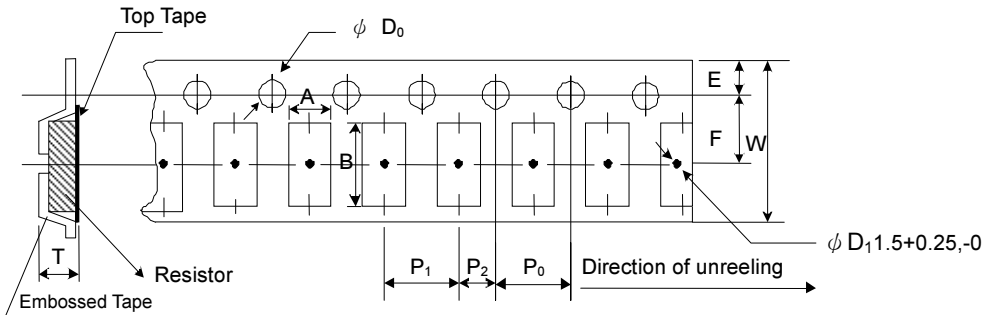


Paper Tape Specifications



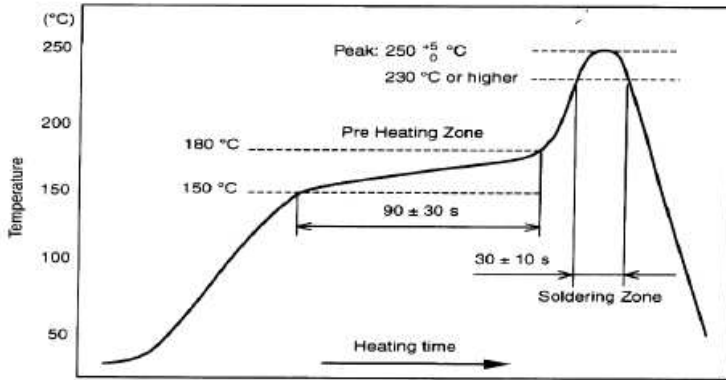
Type	A (mm)	B (mm)	W (mm)	E (mm)	F (mm)	P ₀ (mm)	P ₁ (mm)	P ₂ (mm)	ΦD ₀ (mm)	T (mm)
LRM05	1.60±0.15	2.40±0.20	8.00±0.20	1.75±0.10	3.50±0.05	4.00±0.10	4.00±0.10	2.00±0.05	1.50+0.1/-0	0.84±0.10
LRM06	2.00±0.15	3.60±0.20	8.00±0.20	1.75±0.10	3.50±0.05	4.00±0.10	4.00±0.10	2.00±0.05	1.50+0.1/-0	0.84±0.10

Embossed Plastic Tape Specifications

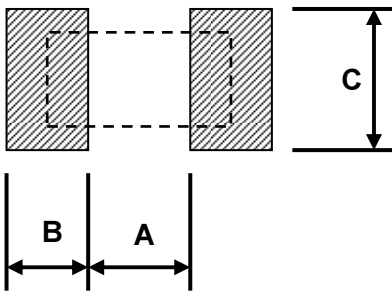


Type	A (mm)	B (mm)	W (mm)	E (mm)	F (mm)	P ₀ (mm)	P ₁ (mm)	P ₂ (mm)	ΦD ₀ (mm)	T (mm)
LRM10	2.80±0.20	5.30±0.20	12.0±0.20	1.75±0.10	5.5±0.05	4.00±0.10	4.00±0.10	2.00±0.05	1.50+0.1, -0	0.85±0.15
LRM12	3.60±0.20	6.90±0.20	12.0±0.30	1.75±0.10	5.5±0.05	4.00±0.10	4.00±0.10	2.00±0.05	1.50+0.1, -0	0.85±0.15
LRM12	3.60±0.20	6.90±0.20	12.0±0.30	1.75±0.10	5.5±0.05	4.00±0.10	4.00±0.10	2.00±0.05	1.50+0.1, -0	1.20±0.15

■ Soldering Condition



■ Recommend Land Pattern



Type	A (mm)	B (mm)	C (mm)
LRM05	1.20	1.15	1.40
LRM06 (1mΩ)	1.00	2.30	1.80
LRM06 (2-30mΩ)	1.60	1.70	1.80
LRM10	3.50±0.2	1.50±0.2	3.40±0.2
LRM12 (0.5-3mΩ)	1.30	3.10	4.00
LRM12 (4-100mΩ)	4.10	2.10	4.00