

## Data Sheet

**Customer:**

**Product:** Shielded SMD Power Inductor – SCDB Series

**Sizes.:** 2D12/2D15/2D18

**Issued Date:** 19-May-15

**Edition:** REV.A6



**VIKING TECH CORPORATION**

光韻科技股份有限公司

No.70, Kuanfu N. Rad.,

Hsin Chu Industrial Park,

Hukou Hsiang, Hsin Chu Hsien,

303, Taiwan

TEL:886-3-5972931

FAX:886-3-5972935•886-3-5973494

E-mail:sales@viking.com.tw

**VIKING TECH CORPORATION KAOHSIUNG BRANCH**

光韻科技股份有限公司高雄分公司

No.248-3, Sin-Sheng Rd., Cian-Jhen Dist., Kaohsiung,

806, Taiwan

TEL:886-7-8217999

FAX:886-7-8228229

E-mail:sales@viking.com.tw

**WUXI TMTEC CO., LTD.**

無錫泰銘電子有限公司

No.22 Xixia Road, Machinery & Industry Park,

National Hi-Tech Industrial Development Zone

of Wuxi, Wuxi, Jiangsu Province, China

Zip Code:214028

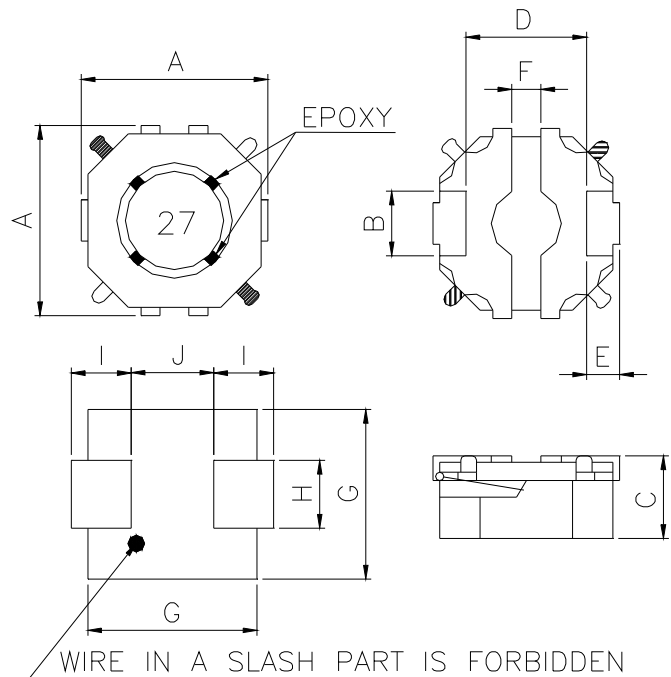
TEL:86-510-85203339

FAX:86-510-85203667•86-510-85203977

E-mail:china@viking.com.tw

Produced by (QC)	Checked (QC)	Approved by (QC)	Prepared by (Sales)	Accepted by (Customer)
19-May-15	19-May-15	19-May-15	19-May-15	
<i>Kris Chen</i>	<i>Ben Chang</i>	<i>Ben Chang</i>		

## Shielded SMD Power Inductor



### Features

- New designed terminal for low cost
- Low profile and high current
- Magnetically shielded construction
- Ideal for digital equipment and hand phone of new generation.

### Applications

- DSD, DVC, PDA Products
- Hand Phone Of New Generation
- Hard Disk Drives

### Characteristics

- Saturation Rated Current: The current when the inductance becomes 30% lower than its initial value. (Ta=20°C)
- Temperature Rise Current: The current when temperature of coil increases up to Max. Δt=40°C. (Ta=20°C)
- Operating temperature range: -40~125°C

### Dimensions

Unit: mm

Type	A	B	C max.	D	E	F	G	H	I	J
SCDB2D12	3.0±0.2	1.0	1.2	2.0	0.5	0.5	3.2	1.2	1.1	1.8
SCDB2D15	3.0±0.2	1.0	1.5	2.0	0.5	0.5	3.2	1.2	1.1	1.8
SCDB2D18	3.0±0.2	1.0	1.8	2.0	0.5	0.5	3.2	1.2	1.1	1.8

### Inductance and rated current ranges

- SCDB2D12 1.2~22μH 0.85~0.22A
- SCDB2D15 2.2~33μH 1.00~0.25A
- SCDB2D18 2.2~47μH 1.10~0.23A
- Test equipment:  
L: HP4284A Precision LCR meter  
DCR: Milli-ohm meter

### Product Identification

SCDB	2D12	M	T	101
Product Type	Dimensions	Inductor Tolerance	Packaging Style	Inductance
	2D12: 3x3x1.2 2D15: 3x3x1.5 2D18: 3x3x1.8	M: ±20% N: ±30%	T: Tape and Reel	1R0: 1.0μH 470: 47μH 101: 100μH

**Electrical Characteristics**

**SCDB2D12 Type**

Codes	L ( $\mu$ H)	Tolerance	Test Condition	DCR ( $\Omega$ ) max.	IDC (A) max.		I rms (A) max.
					20°C	100°C	
1R2	1.2	N	100KHz, 0.1V	0.117	0.85	0.70	1.05
2R2	2.2	N	100KHz, 0.1V	0.182	0.70	0.60	0.90
3R3	3.3	N	100KHz, 0.1V	0.260	0.60	0.50	0.82
4R7	4.7	N	100KHz, 0.1V	0.312	0.50	0.40	0.72
5R6	5.6	N	100KHz, 0.1V	0.442	0.46	0.35	0.67
6R8	6.8	N	100KHz, 0.1V	0.520	0.43	0.30	0.62
8R2	8.2	N	100KHz, 0.1V	0.560	0.38	0.28	0.58
100	10	M	100KHz, 0.1V	0.780	0.33	0.25	0.55
220	22	M	100KHz, 0.1V	1.650	0.22	-	-

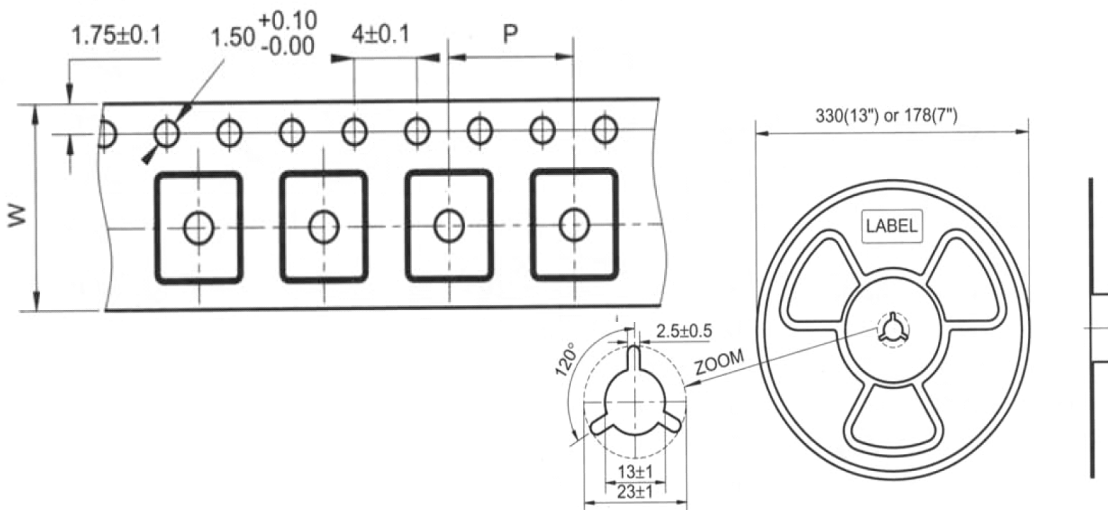
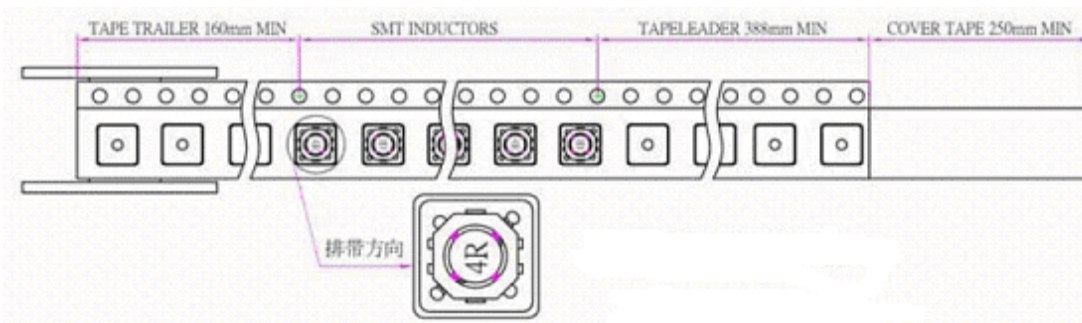
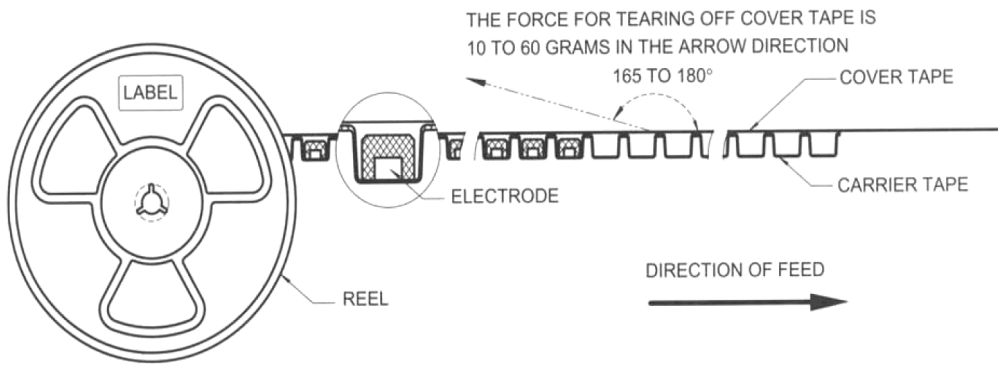
**SCDB2D15 Type**

Codes	L ( $\mu$ H)	Tolerance	Test Condition	DCR ( $\Omega$ ) max.	IDC (A) max.		I rms (A) max.
					20°C	100°C	
2R2	2.2	N	100KHz, 0.1V	0.150	1.00	0.80	1.00
3R3	3.3	N	100KHz, 0.1V	0.234	0.90	0.70	0.90
4R7	4.7	N	100KHz, 0.1V	0.338	0.80	0.60	0.85
5R6	5.6	N	100KHz, 0.1V	0.364	0.70	0.55	0.80
6R8	6.8	N	100KHz, 0.1V	0.416	0.60	0.52	0.77
8R2	8.2	N	100KHz, 0.1V	0.572	0.55	0.48	0.72
100	10	M	100KHz, 0.1V	0.624	0.50	0.45	0.70
120	12	M	100KHz, 0.1V	0.702	0.45	0.40	0.65
150	15	M	100KHz, 0.1V	0.949	0.40	0.35	0.50
180	18	M	100KHz, 0.1V	1.090	0.35	0.30	0.40
220	22	M	100KHz, 0.1V	1.250	0.30	0.25	0.30
330	33	M	100KHz, 0.1V	2.200	0.25	-	0.25

**SCDB2D18 Type**

Codes	L ( $\mu$ H)	Tolerance	Test Condition	DCR ( $\Omega$ ) max.	IDC (A) max.		I rms (A) max.
					20°C	100°C	
2R2	2.2	N	100KHz, 0.1V	0.117	1.10	0.90	1.10
3R3	3.3	N	100KHz, 0.1V	0.143	1.00	0.80	1.00
4R7	4.7	N	100KHz, 0.1V	0.221	0.80	0.70	0.90
5R6	5.6	N	100KHz, 0.1V	0.247	0.75	0.60	0.85
6R8	6.8	N	100KHz, 0.1V	0.312	0.70	0.55	0.82
8R2	8.2	N	100KHz, 0.1V	0.351	0.60	0.50	0.78
100	10	M	100KHz, 0.1V	0.468	0.55	0.48	0.75
120	12	M	100KHz, 0.1V	0.533	0.50	0.45	0.65
150	15	M	100KHz, 0.1V	0.598	0.45	0.40	0.55
180	18	M	100KHz, 0.1V	0.715	0.40	0.33	0.50
220	22	M	100KHz, 0.1V	0.975	0.38	0.30	0.45
270	27	M	100KHz, 0.1V	1.105	0.33	0.25	0.40
330	33	M	100KHz, 0.1V	1.222	0.30	0.23	0.33
390	39	M	100KHz, 0.1V	1.625	0.25	0.20	0.28
470	47	M	100KHz, 0.1V	1.820	0.23	0.18	0.25

**■Tape and Reel specifications**



Unit: mm

Type	Tape size		Parts Per Reel
	W	P	
SCDB2D12	12	8	4000
SCDB2D15	12	8	4000
SCDB2D18	12	8	3500

**■ SMT Power Inductor Environmental Specifications**

General

Items	Specifications
Shelf Storage conditions	Temperature range: 25±3°C; Humidity: <80% relative humidity. Recommended product should be used within six months from the time of delivery.

Environmental test

Test Items	Specifications	Test Conditions / Test Methods
High temperature Storage test	No case deformation or change in appearance. $\Delta L/L \leq 10\%$	Temperature 85±2°C, Time: 48±2 hours, Tested after 1 hour at room temperature.
Low temperature Storage test		Temperature -25±2°C, Time: 48±2 hours, Tested after 1 hour at room temperature.
Humidity test		Temperature 40±2°C, 90~95% relative humidity Time: 96±2 hours Tested after 1 hour at room temperature.
Thermal shock test		First -25°C 30minutes then 25°C 10 minutes last 85°C 30 minutes, as 1 cycle. Go through 5 cycles. Tested after 1 hour at room temperature.

Mechanical test

Test Items	Specifications	Test Conditions / Test Methods
Solderability test	Terminal area must have 90% minimum solder coverage.	Product with Lead-free terminal: Dip pads in flux then dip in solder pot at 245±5°C for 3 seconds.
Resistance to Soldering Heat	No case deformation or change in appearance.	Flux should cover the whole of the sample before heating, then be preheated for about 2 minutes over temperature of 130~150°C. Immersing to 260±5°C for 10 seconds.
Vibration test	No case deformation or change in appearance.	Apply frequency 10~55Hz. 1.5mm amplitude in each of perpendicular direction for 2 hours.
Shock resistance	$\Delta L/L \leq 10\%$	Drop down with 981m/s <sup>2</sup> (100G) shock attitude upon a rubber block method shock testing machine, for 1 time. In each of three orientations.

The condition of reflow (recommendation):

