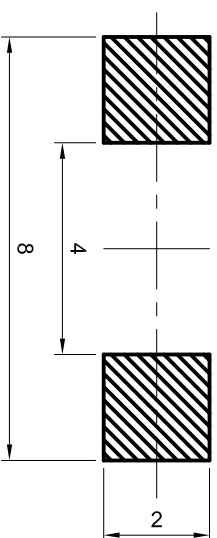
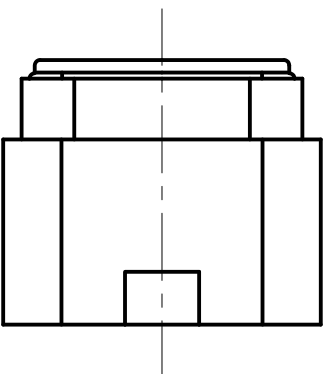
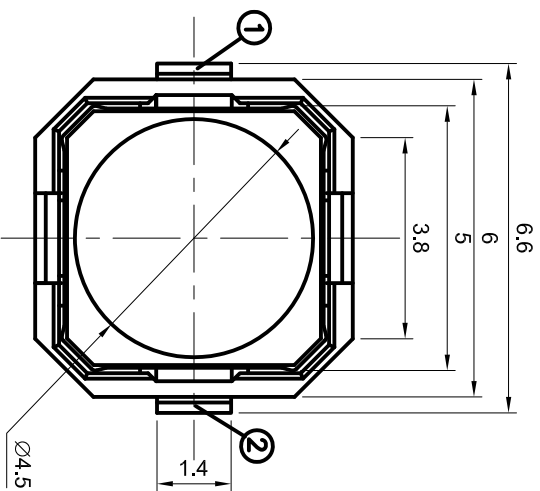


CIRCUIT DIAGRAM



SMD REFLOW PATTERN
(TOLERANCE : ±0.05)



SPECIFICATION

1. RATING : 50mA, DC12V MAX.
2. CIRCUIT : 1C-1P
3. OPERATING FORCE : 250 ±70gf
4. CONTACT RESISTANCE : 500mΩ MAX.
5. TRAVEL : 1.3 +0.2/-0.3mm
6. OPERATING LIFE : 100000 CYCLES MIN.
7. TOLERANCE : ±0.3

		GENERAL TOLERANCE (UNLESS SPECIFIED)		SCALE		UNIT		TITLE	
		±0.3		7 / 1		METRIC		1199A	
				THIRD ANGLE PROJECTION		SIZE		DOCUMENT NUMBER	
				A4					
REV		DESCRIPTION		DRAWN BY		CHECKED BY		APPROVED BY	
								SUNGSAN ENTERPRISE, LTD.	
THIS DRAWING CONTAINS INFORMATION THAT IS PROPRIET TO CREATIVE ELECTRONICS CO.,LTD. AND SHOULD NOT BE USED WITHOUT WRITTEN PERMISSION.									