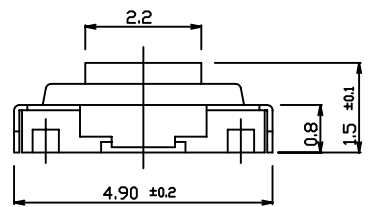
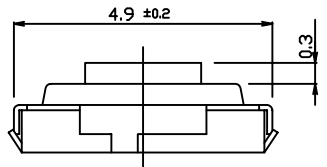
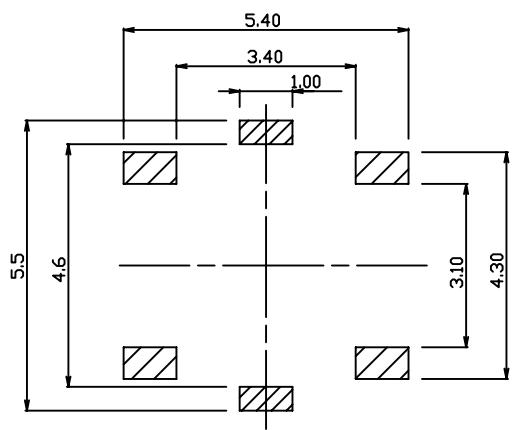


CIRCUIT DIAGRAM_



NOTES

- 1. RATING:DC 12V 20mA Max
- 2. TRAVEL:0.25^{+0.1}_{-0.2}
- 3. GENERAL TOLERANCE : ±0.3
- 4,OPERATING FORCE :180,250 50gf



P.C.B. LAND DIMENSION_

NO	PART NAME	Q'TY	METERIAL	REMARKS
1	CASE	1	LCP	
2	STEM	1	C3604	
3	COVER	1	SUS	
4	TERMINAL	1	C2680R-H	Ag0.5μ
5	CONTACT	1	SUS301	Ag0.5μ

No.	PART NAME	Q'TY	MATERIAL	S I Z E	TREAT.	REMARKS
△			3RD ANGLE PROJECTION	UNIT m/m	SCALE 10/1	MODEL 1187E
△			APPROVED	CHECKED	DESIGNED	DWG.NAME ASS'Y DIAGRAM
△						DWG.NO.
△						
NO.	DATE	NOTE	SIGN			