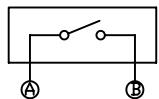


P.C.B DIMENSION

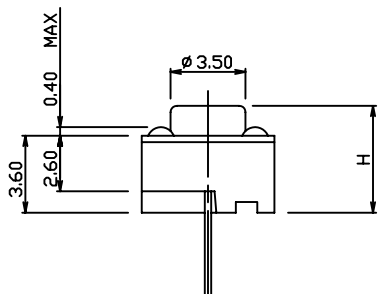
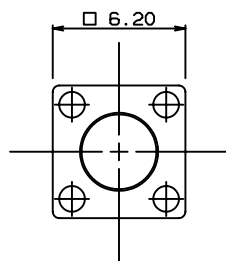


CIRCUIT DIAGRAM

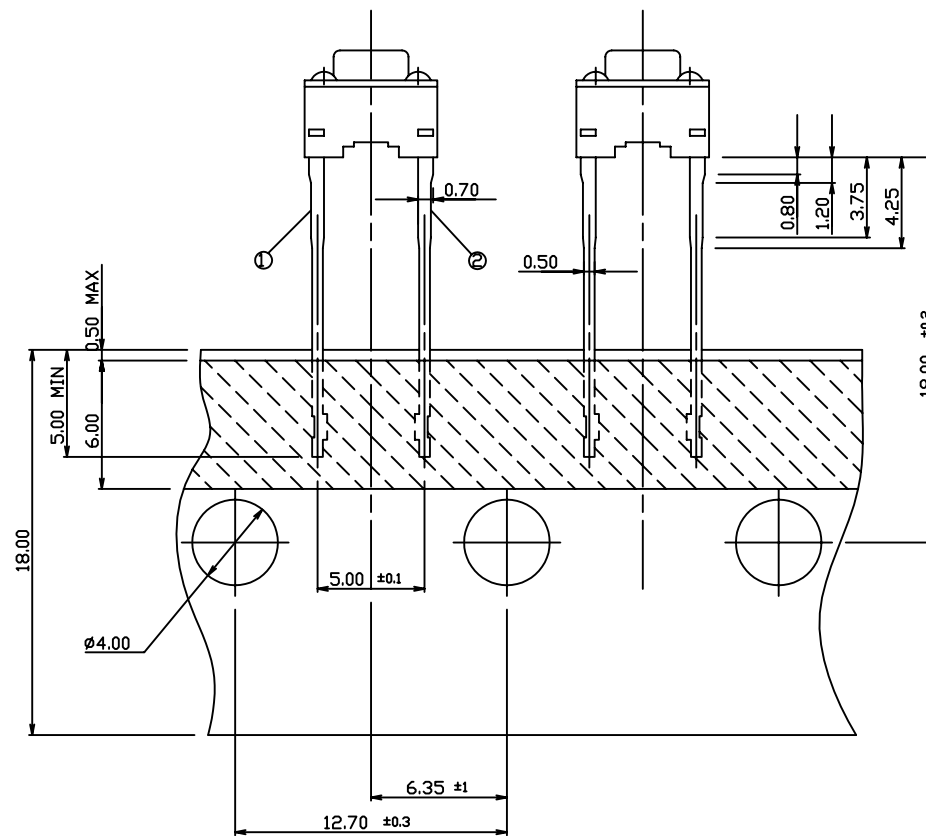
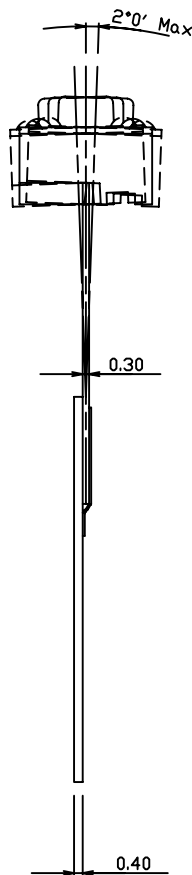
NOTE

1. OPERATING FORCE : 160 ±50gf
2. TRAVEL : 0.25 +0.2/-0.1 mm
3. CONTACT RESISTANCE : 100 mΩ Max
4. GENERAL TOLERANCE : ±0.3

MODEL NO	H	STEM COLOR
1104RT	4.3	BLACK
1104RTA	5.0	BLACK
1104RTB	7.0	BLACK
1104RTC	8.0	WHITE
1104RTD	9.5	BLACK



\* PACKING QUANTITY : 1,000 PCS



NO	PART NAME	Q'TY	MATERIAL	REMARK
1	CASE	1	NYLON66 G30	BLACK
2	STEM	1	PBT G30	
3	COVER	1	SPCC-SD	Sn 3μ
4	TERMINAL	1	C2680R-EH	Ag 0.5μ
5	CONTACT	1	C5210R-EH	Ag 0.5μ

No.	PART NAME	Q'TY	MATERIAL	SCALE	MODEL	TREAT.	REMARKS
△			3RD ANGLE PROJECTION	UNIT m/m	MODEL 1104RT SERIES		
△			APPROVED	CHECKED	DESIGNED		DWG.NAME ASS'Y DIAGRAM
△							DWG.NO.
△							
NO.	DATE	NOTE	SIGN				