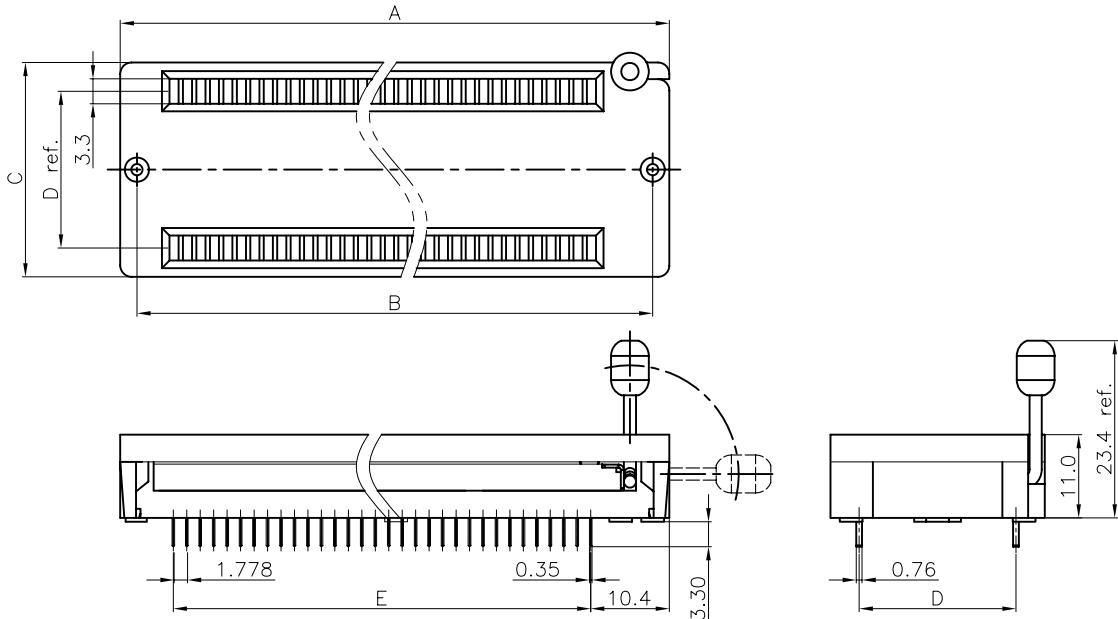


REV.	DESCRIPTION	DRAWN	CHECKED	APPROVED
A	NEW RELEASE	YCH 11/06/09'	~	



N=No. of contacts/2

Contact Quantity	Dimensions				
	A	B	C	D	E
28	40.5	36.1	17.8	10.16	23.14
32	44.0	39.6	17.8	10.16	26.67
42	52.9	48.5	22.9	15.24	35.60
56	65.4	61.0	22.9	15.24	48.01
64	72.5	68.0	28.3	20.70	55.18
90	95.7	91.3	31.3	22.86	78.32

1. FEATURES

- 1.1. Compact mechanical construction to ensure long term life.
- 1.2. Zero insertion and extraction pressure.
- 1.3. standard 0.07(1.778mm) IC pitch,easy to mount in PC board.
- 1.4. All plastics are UL 94v-0 grade fire retardant.
- 1.5. Gold plated contact to ensure low contact resistance and long operation life.

2. SPECIFICATION

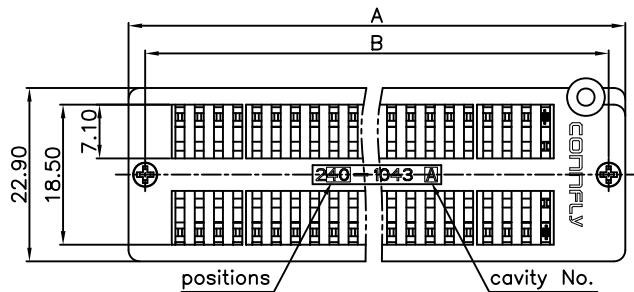
- 2.1. ELECTRICAL:
  - 2.1.1. Rating:50VDC,100mA.
  - 2.1.2. Contact Resistance: 50mΩ Max.
  - 2.1.3. Insulation Resistance:1000MΩ Min.
  - 2.1.4. Dielectric withstanding volatage:500VDC min. for 60 seconds.Capacitance between adjacent contacts.
- 2.2. MECHANICAL AND ENVERONMENTAL
  - 2.2.1. Temperature Rating:
  - 2.2.2. Operating:-40℃ to +105℃
  - 2.2.4. Durability:25,000 cycles(with load)
  - 2.2.5. Humidity:95%RH,40℃ for 48 Hrs.
  - 2.2.6. Solderability:After flux 230℃ for 5±0.5 Seconds,95% coverage
  - 2.2.7. Soldering Heat:260±5℃ for 5±1 Seconds.

3. PRODUCT NUMBER CODE:

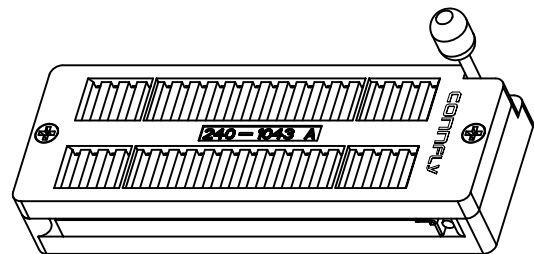
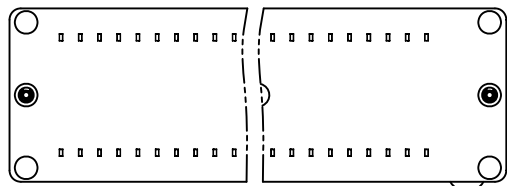
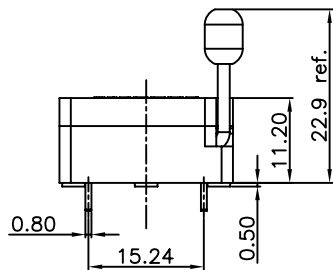
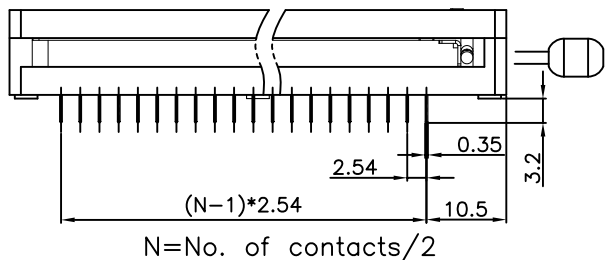
DS1044-01 - X X X

- Housing color
  - L: Blue
  - B: Black
  - G: Green
- Contact plating
  - F: Full 3u" gold
  - 0: Full gold flash
  - 6: Full Tin
- No. of contacts
  - 28 32 42
  - 56 64 90

GENERAL TOLERANCE	ANGLE TOLERANCE	PROJECTION		TITLE	ZIF SOCKET		
X. ±0.60	X. ±5°	UNITS	mm				
.X ±0.38	.X ±3°	SHEET SIZE	A4	SERIES	DS1044-01 SERIES		
.XX ±0.25	.XX ±2°	<b>晨翔电子有限公司</b> <b>CONNFLY CONNFLY ELECTRONIC CO. LTD</b>					
DRAWING TYPE	CUSTOMER						
SCALE	1:1						SHEET 1 OF 1
DRAWING NO.	C-DS1044-01-XXX						



Positions	A	B
24	45.3	40.9
28	50.4	46.0
32	55.5	51.1
40	65.6	61.2
48	75.8	71.4



REV.	DESCRIPTION	DRAWN	CHECKED	APPROVED
A	NEW RELEASE	LJH 05/24/05'		

1. FEATURES

- 1.1. Compact mechanical construction to ensure long term life.
- 1.2. Zero insertion and extraction pressure.
- 1.3. standard 0.100(2.54mm) IC pitch, easy to mount in PC board.
- 1.4. All plastics are UL 94v-0 grade fire retardant.
- 1.5. Gold plated contact to ensure low contact resistance and long operation life.

2. SPECIFICATION

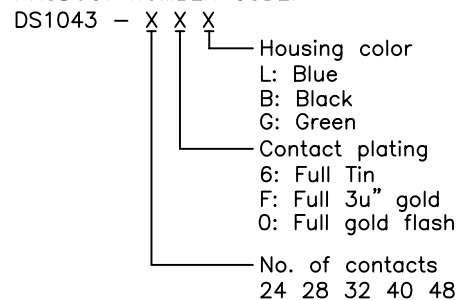
2.1. ELECTRICAL:

- 2.1.1. Rating: 50VDC, 100mA.
- 2.1.2. Contact Resistance: 50mΩ Max.
- 2.1.3. Insulation Resistance: 1000MΩ Min.
- 2.1.4. Dielectric withstanding volatage: 500VDC min. for 60 seconds. Capacitance between adjacent contacts.

2.2. MECHANICAL AND ENVIRONMENTAL

- 2.2.1. Temperature Rating:
- 2.2.2. Operating: -40°C to +105°C
- 2.2.3. Durability: 25,000 cycles (with load)
- 2.2.4. Humidity: 95%RH, 40°C for 48 Hrs.
- 2.2.5. Solderability: After flux 230°C for 5±0.5 Seconds, 95% coverage
- 2.2.6. Soldering Heat: 260±5°C for 5±1 Seconds.

3. PRODUCT NUMBER CODE:



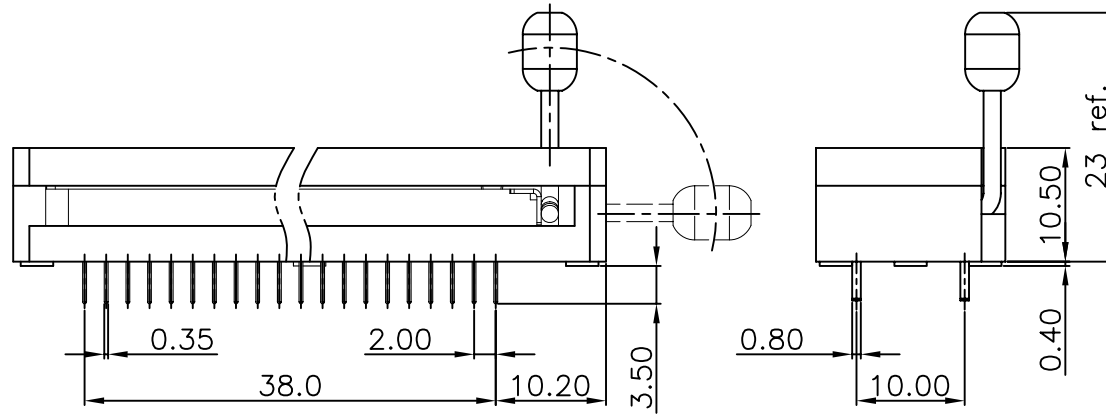
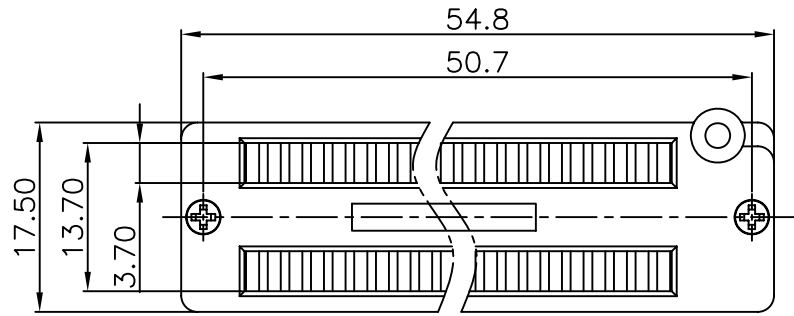
GENERAL TOLERANCE	ANGLE TOLERANCE
X. ±0.60	X. ±5°
.X ±0.38	.X ±3°
.XX ±0.25	.XX ±2°

PROJECTION	TITLE
UNITS	mm
SHEET SIZE	A4
ZIF SOCKET	
SERIES	DS1043 SERIES

DRAWING TYPE	CUSTOMER
SCALE	1:1 SHEET 1 OF 1
DRAWING NO.	C-DS1043-XXX

**晨翔电子有限公司**  
**CONNPLY CONNPLY ELECTRONIC CO. LTD**

REV.	DESCRIPTION	DRAWN	CHECKED	APPROVED
A	NEW RELEASE	YCH 11/03/09'	~	



N=No. of contacts/2

### 1. FEATURES

- 1.1. Compact mechanical construction to ensure long term life.
- 1.2. Zero insertion and extraction pressure.
- 1.3. standard 0.079(2.00mm) IC pitch, easy to mount in PC board.
- 1.4. All plastics are UL 94v-0 grade fire retardant.
- 1.5. Gold plated contact to ensure low contact resistance and long operation life.

### 2. SPECIFICATION

#### 2.1. ELECTRICAL:

- 2.1.1. Rating: 50VDC, 100mA.
- 2.1.2. Contact Resistance: 50mΩ Max.
- 2.1.3. Insulation Resistance: 1000MΩ Min.
- 2.1.4. Dielectric withstanding volatage: 500VDC min. for 60 seconds. Capacitance between adjacent contacts.

#### 2.2. MECHANICAL AND ENVIRONMENTAL

- 2.2.1. Temperature Rating:
- 2.2.2. Operating: -40°C to +105°C
- 2.2.3. Durability: 25,000 cycles (with load)
- 2.2.4. Humidity: 95%RH, 40°C for 48 Hrs.
- 2.2.5. Solderability: After flux 230°C for 5±0.5 Seconds, 95% coverage
- 2.2.6. Soldering Heat: 260±5°C for 5±1 Seconds.

### 3. PRODUCT NUMBER CODE:

DS1043-01 - X X X

- Housing color
  - L: Blue
  - B: Black
  - G: Green
- Contact plating
  - 6: Full Tin
  - F: Full 3u" gold
  - 0: Full gold flash
- No. of contacts
  - 10 16 20
  - 26 34 40

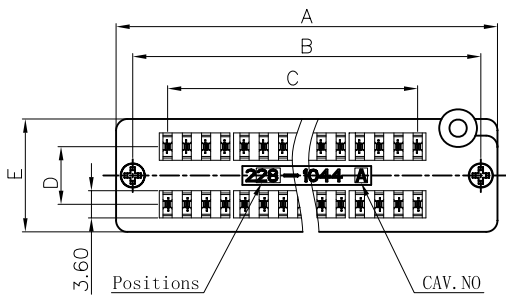
GENERAL TOLERANCE		ANGLE TOLERANCE	
X.	±0.60	X.	±5°
.X	±0.38	.X	±3°
.XX	±0.25	.XX	±2°

PROJECTION		TITLE	ZIF SOCKET
UNITS	mm		
SHEET SIZE	A4	SERIES	DS1043-01 SERIES

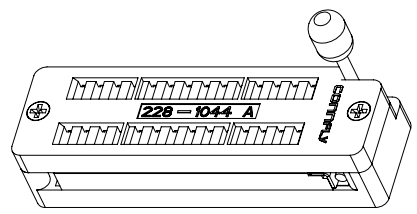
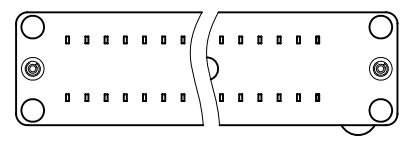
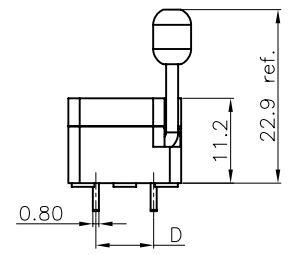
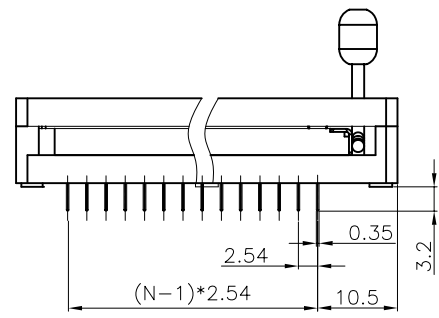
DRAWING TYPE	CUSTOMER		
SCALE	1:1	SHEET	1 OF 1
DRAWING NO.	C-DS1043-01-XXX		

晨翔电子有限公司  
CONNFLY CONNFLY ELECTRONIC CO. LTD

REV.	DESCRIPTION	DRAWN	CHECKED	APPROVED
A	NEW RELEASE	DMJ 06/07/07'	~	LJC 06/07/07'
B	修改表格尺寸	YCH 09/17/07'	~	



Positions	A	B	C	D	E
14	32.6	28.2	15.24	7.62	14.9
16	35.1	30.7	17.78	7.62	14.9
20	40.2	35.8	22.86	7.62	14.9
24	45.3	40.9	27.94	7.62	14.9
28	50.4	46.0	33.02	7.62	14.9
32	55.5	51.1	38.10	15.24	22.9
40	65.6	61.2	48.26	15.24	22.9
48	75.8	71.4	58.42	15.24	22.9



1. FEATURES

- 1.1. Compact mechanical construction to ensure long term life.
- 1.2. Zero insertion and extraction pressure.
- 1.3. standard 0.100(2.54mm) IC pitch, easy to mount in PC board.
- 1.4. All plastics are UL 94v-0 grade fire retardant.
- 1.5. Gold plated contact to ensure low contact resistance and long operation life.

2. SPECIFICATION

2.1. ELECTRICAL:

- 2.1.1. Rating: 50VDC, 100mA.
- 2.1.2. Contact Resistance: 50mΩ Max.
- 2.1.3. Insulation Resistance: 1000MΩ Min.
- 2.1.4. Dielectric withstanding voltage: 500VDC min. for 60 seconds. Capacitance between adjacent contacts.

2.2. MECHANICAL AND ENVIRONMENTAL

- 2.2.1. Temperature Rating:
- 2.2.2. Operating: -40°C to +105°C
- 2.2.4. Durability: 25,000 cycles (with load)
- 2.2.5. Humidity: 95%RH, 40°C for 48 Hrs.
- 2.2.6. Solderability: After flux 230°C for 5±0.5 Seconds, 95% coverage
- 2.2.7. Soldering Heat: 260±5°C for 5±1 Seconds.

3. PRODUCT NUMBER CODE:

DS1044 - X X X

- Housing color
  - L: Blue
  - B: Black
  - G: Green
- Contact plating
  - F: Full 3u" gold
  - 0: Full gold flash
  - 6: Full Tin
- No. of contacts
  - 14 16 18 20 24
  - 28 32 40 48

GENERAL TOLERANCE		ANGLE TOLERANCE		PROJECTION		TITLE	
X.	±0.60	X.	±5°	UNITS	mm	ZIF SOCKET	
.X	±0.38	.X	±3°	SHEET SIZE	A4	SERIES	DS1044 SERIES
.XX	±0.25	.XX	±2°	<b>晨翔电子有限公司</b> <b>CONNFLY CONNFLY ELECTRONIC CO. LTD</b>			
DRAWING TYPE		CUSTOMER					
SCALE	1:1	SHEET	1 OF 1				
DRAWING NO.		C-DS1044-XXX					