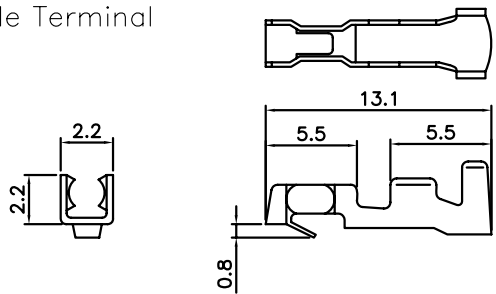


REV.	DESCRIPTION	DRAWN	CHECKED	APPROVED
A	NEW RELEASE	HP 29/06/05		

Female Terminal



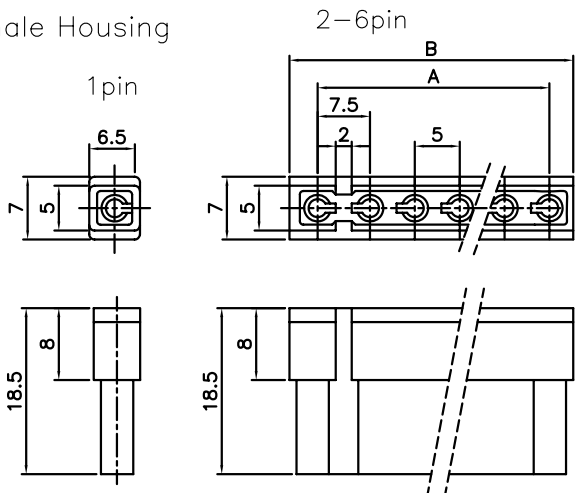
Female Terminal

Wire Range		O.D of Wire
Section Area (mm ²)	AWG#	mm
0.13~0.5	26~20	1.3~2.7

NOTES:

- MAIN SPECIFICATIONS
 - Housing material: NYLON 66
 - Wire range: AWG#26~#20
 - Rated voltage: 250V
 - Rated current: 1A
 - Contact resistance: ≤ 30mΩ
 - Insulation resistance: ≥ 1000MΩ
 - Withstanding voltage: 500V, AC 1 minute
 - Temperature range: -25 ~ +85°C
 - Recommend PC board thickness: 1.6mm

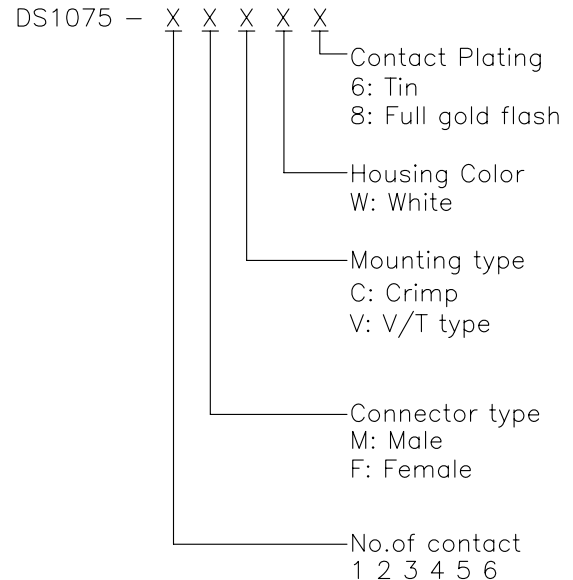
Female Housing



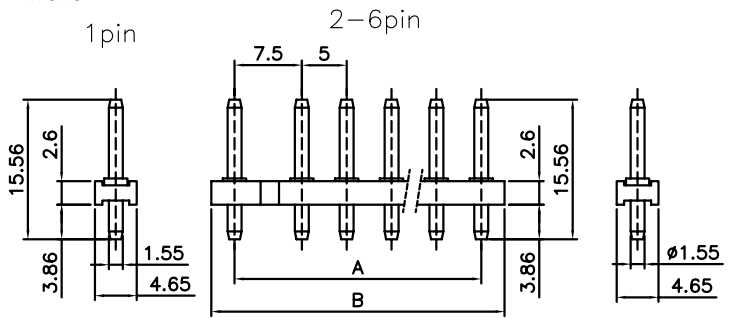
Female Housing

Position	Dimension	
	A	B
1		
2	7.5	12.5
3	12.5	17.5
4	17.5	22.5
5	22.5	27.5
6	27.5	32.5

2. PRODUCT NUMBER CODE:




Male



Male

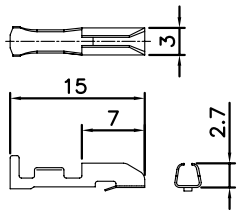
Position	Dimension	
	A	B
1		
2	7.5	12.5
3	12.5	17.5
4	17.5	22.5
5	22.5	27.5
6	27.5	32.5

GENERAL TOLERANCE	ANGLE TOLERANCE	PROJECTION	TITLE
X. ±0.60	X. ±5°	UNITS	P.C.B CONNECTOR 7.5-5...5mm TJC2A
.X ±0.38	.X ±3°	SHEET SIZE	SERIES DS1075
.XX ±0.25	.XX ±2°		
DRAWING TYPE	CUSTOMER		
SCALE	1:1	SHEET	1 OF 1
DRAWING NO.	C-DS1075-XXXXX		


晨翔电子有限公司
CONNFLY CONNFLY ELECTRONIC CO. LTD

REV.	DESCRIPTION	DRAWN	CHECKED	APPROVED
A	NEW RELEASE	HP 29/06/05		

Female Terminal



Female Terminal

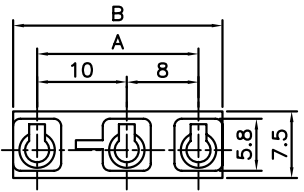
Wire Range		O.D of Wire
mm ²	AWG#	mm
0.2~0.5	24~18	1.6~2.7

NOTES:

1. MAIN SPECIFICATIONS
 - . Housing material: NYLON 66
 - . Wire range: AWG#24~#18
 - . Rated voltage: 250V
 - . Rated current: 1A
 - . Contact resistance: ≤ 30mΩ
 - . Insulation resistance: ≥ 1000MΩ
 - . Withstanding voltage: 500V, AC 1 minute
 - . Temperature range: -25 ~ +85°C
 - . Recommend PC board thickness: 1.6mm

Female Housing 2-6pin

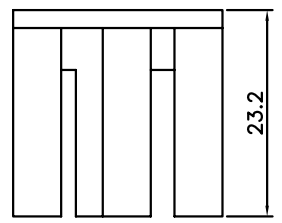
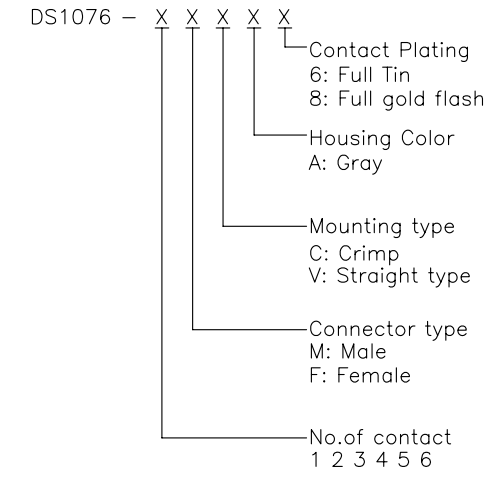
1pin



Female Housing

Position	Dimension	
	A	B
1		
2	10	16
3	18	24
4	26	32
5	34	40
6	42	48

2. PRODUCT NUMBER CODE:



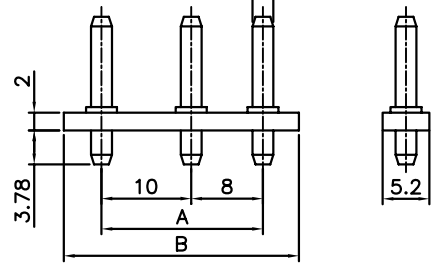
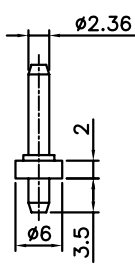
Male


Position	Dimension	
	A	B
1		
2	10	18
3	18	26
4	26	34
5	34	42
6	42	50

Male

1pin

2-6pin



GENERAL TOLERANCE	ANGLE TOLERANCE	PROJECTION	TITLE	P.C.B CONNECTOR TJCI TYPE
X. ±0.60	X. ±5°	UNITS	mm	PITCH 10.0 - 8.0 - 8.0mm
.X ±0.38	.X ±3°	SHEET SIZE	A4	SERIES DS1076
.XX ±0.25	.XX ±2°	 晨翔电子有限公司 CONNFLY CONNFLY ELECTRONIC CO. LTD		
DRAWING TYPE	CUSTOMER			
SCALE	1:1 SHEET 1 OF 1			
DRAWING NO.	C-DS1076-XXXXX			