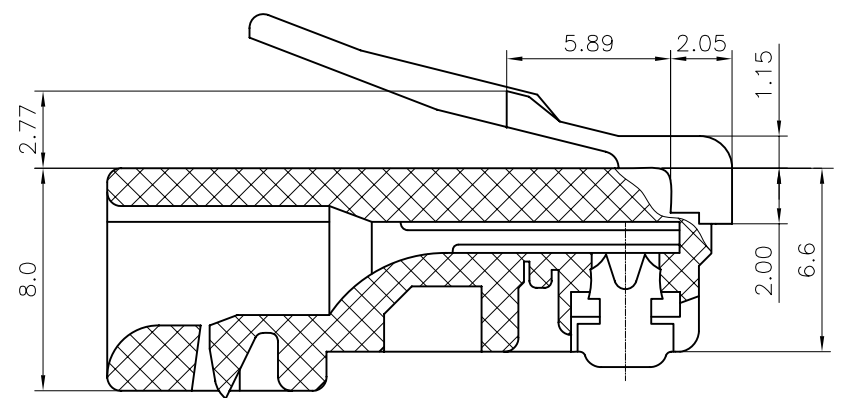
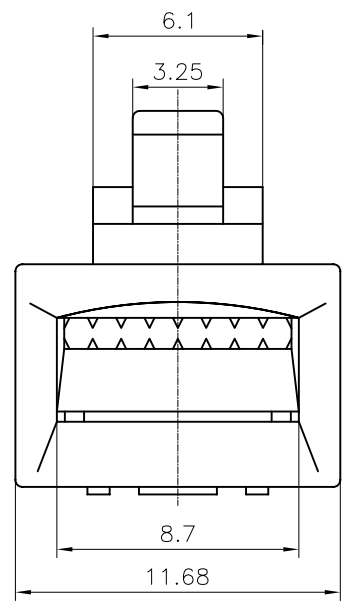
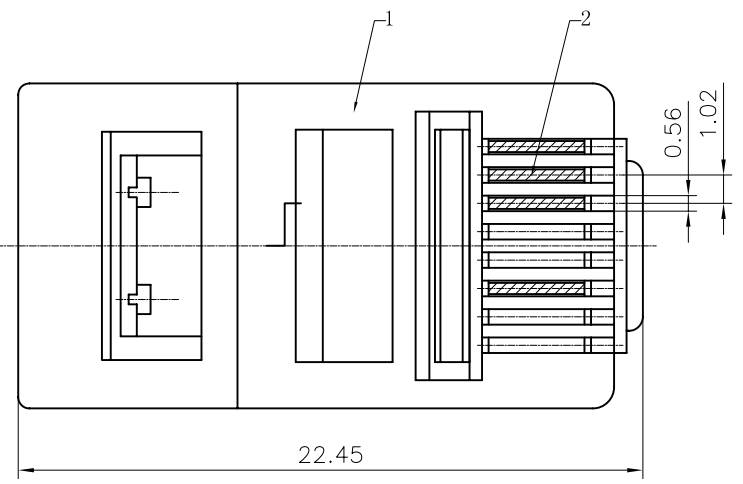


REV.	DESCRIPTION	DRAWN	CHECKED	APPROVED
A	NEW RELEASE	YCH 08/23/07'	~	



Section A-A



SPECIFICATION

- Insulation Resistance:1000MΩ Min.
- Withstand Voltage:500V AC/Minute.
- Durability:600 Cycles Min.
- Contact resistance:50mΩ max.
- Product Number Code:

DS1123-23 - X X X X


- Housing Color
T:Transparent
- Contact Plating
0:Gold Flash 15:15u''Au
3:3u''Au 30:30u''Au
6:6u''Au
- No.Of Contacts
4:8p4c
- Connector Type
P:Plug
- Series No.
DS1123-23



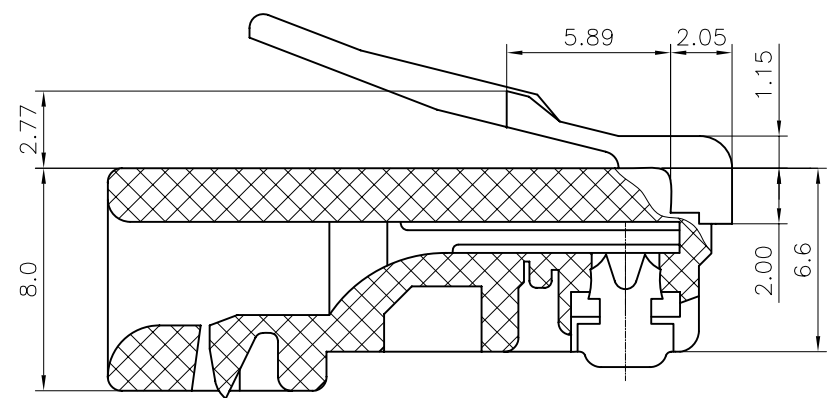
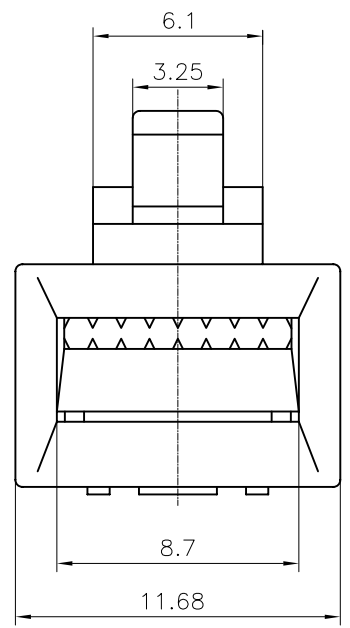
No.	PART NAME	Q'TY	MATERIAL	REMARK
(2)	BLADE	4	Copper alloy	GOLD PLATING
(1)	HOUSING	1	PC	UL94 V-0 OR 94 V-2

GENERAL TOLERANCE		ANGLE TOLERANCE	
X.	±0.60	X.	±5°
.X	±0.38	.X	±3°
.XX	±0.25	.XX	±2°
DRAWING TYPE		CUSTOMER	
SCALE		1:1	SHEET 1 OF 1
DRAWING NO.		C-DS1123-23-XXXX	

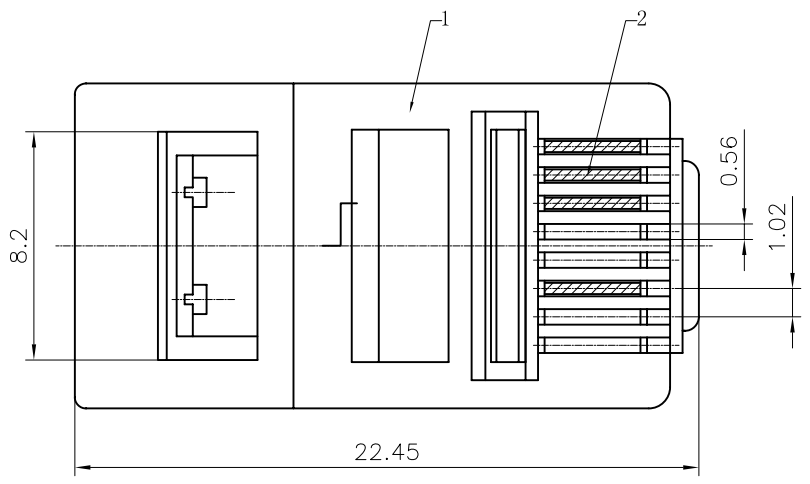
PROJECTION	TITLE
mm	PLUG 8P4C ROUND TYPE(PIN 1, 2, 3, 6)
A4	SERIES DS1123-23 SERIES


晨翔电子有限公司
CONNFLY CONNFLY ELECTRONIC CO. LTD

REV.	DESCRIPTION	DRAWN	CHECKED	APPROVED
A	NEW RELEASE	YCH 08/23/07'	~	



Section A-A



SPECIFICATION

- Insulation Resistance:1000MΩ Min.
- Withstand Voltage:500V AC/Minute.
- Durability:600 Cycles Min.
- Contact resistance:50mΩ max.
- Product Number Code:

DS1123-24 - X X X X


- Housing Color
T:Transparent
- Contact Plating
0:Gold Flash 15:15u''Au
3:3u''Au 30:30u''Au
6:6u''Au
- No.Of Contacts
4:8p4c
- Connector Type
P:Plug
- Series No.
DS1123-24



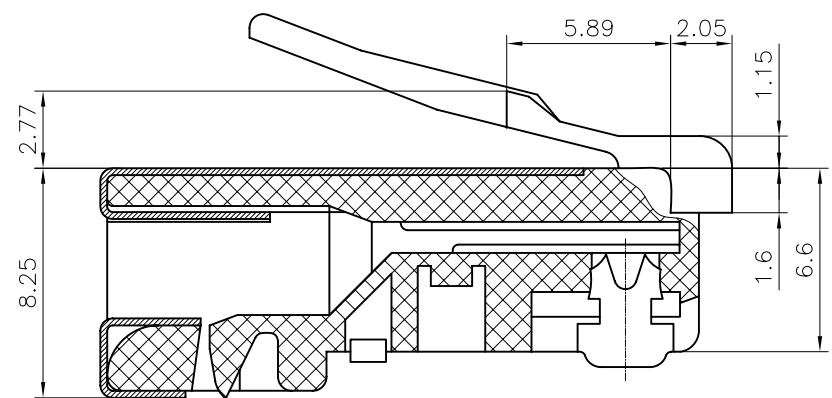
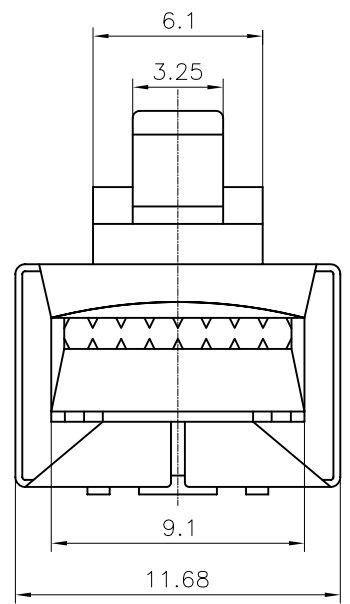
No.	PART NAME	Q'TY	MATERIAL	REMARK
(2)	BLADE	4	Copper alloy	GOLD PLATING
(1)	HOUSING	1	PC	UL94 V-0 OR 94 V-2

GENERAL TOLERANCE		ANGLE TOLERANCE	
X.	±0.60	X.	±5°
.X	±0.38	.X	±3°
.XX	±0.25	.XX	±2°
DRAWING TYPE		CUSTOMER	
SCALE		1:1	SHEET 1 OF 1
DRAWING NO.		C-DS1123-24-XXXX	

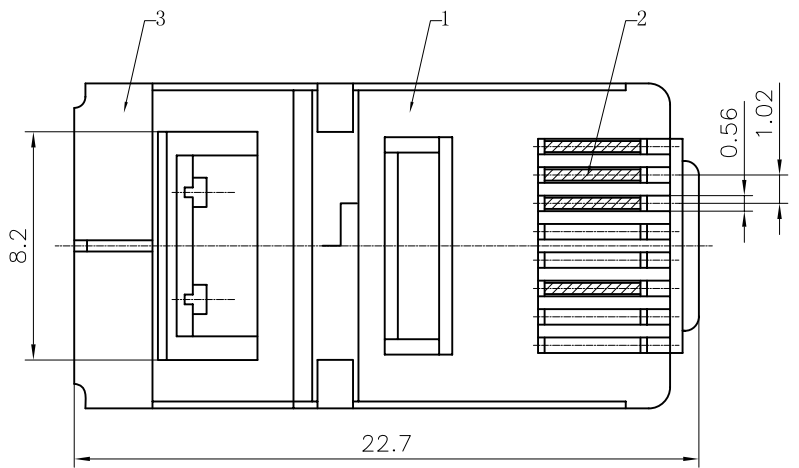
PROJECTION	TITLE
mm	PLUG 8P4C SQUARE TYPE(PIN 1, 2, 3, 6)
A4	SERIES DS1123-24 SERIES


晨翔电子有限公司
CONNFLY CONNFLY ELECTRONIC CO. LTD

REV.	DESCRIPTION	DRAWN	CHECKED	APPROVED
A	NEW RELEASE	YCH 08/23/07'	~	



Section A-A



SPECIFICATION

- Insulation Resistance:1000MΩ Min.
- Withstand Voltage:500V AC/Minute.
- Durability:600 Cycles Min.
- Contact resistance:50mΩ max.
- Product Number Code:

DS1123-25 - X X X X X

- Shell plating
N:Nickel
- Housing Color
T:Transparent
- Contact Plating
0:Gold Flash 15:15u''Au
3:3u''Au 30:30u''Au
6:6u''Au
- No.Of Contacts
4:8p4c
- Connector Type
P:Plug
- Series No.
DS1123-25

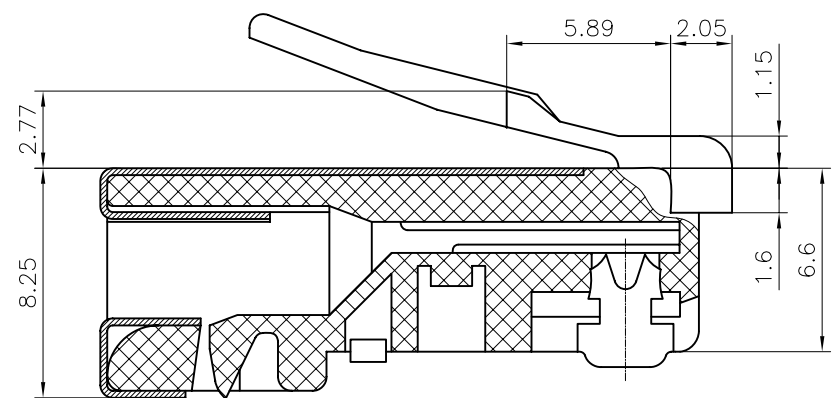
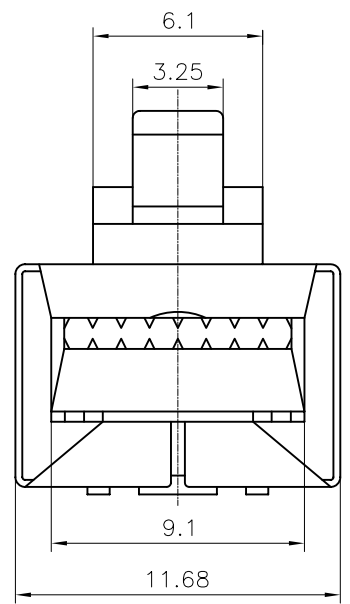
(3)	SHELL	1	Copper alloy	PIATING PLATING
(2)	BLADE	4	Copper alloy	GOLD PLATING
(1)	HOUSING	1	PC	UL94 V-0 OR 94 V-2
No.	PART NAME	Q'TY	MATERIAL	REMARK

GENERAL TOLERANCE		ANGLE TOLERANCE	
.X	±0.60	.X	±5°
.X	±0.38	.X	±3°
.XX	±0.25	.XX	±2°
DRAWING TYPE		CUSTOMER	
SCALE		1:1	SHEET 1 OF 1
DRAWING NO.		C-DS1123-25-XXXX	

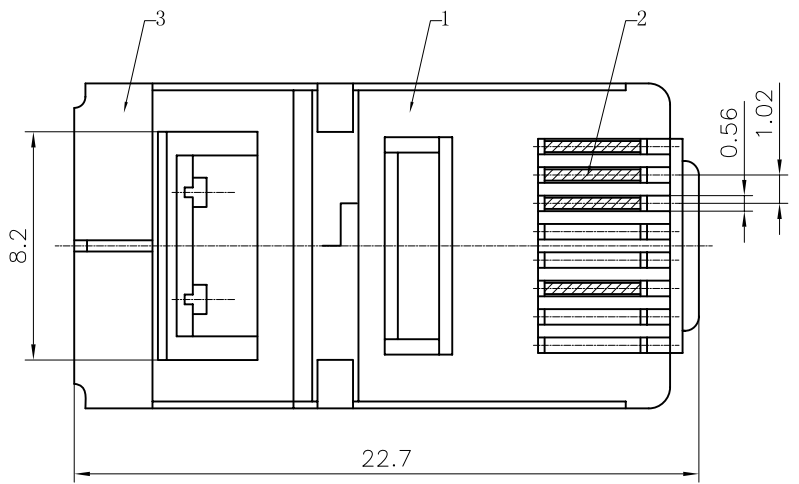
PROJECTION		TITLE	PLUG 8P4C (PIN 1, 2, 3, 6) WITH SHELL ROUND TYPE
UNITS	mm		
SHEET SIZE	A4	SERIES	DS1123-25 SERIES

晨翔电子有限公司
CONNFLY CONNFLY ELECTRONIC CO. LTD

REV.	DESCRIPTION	DRAWN	CHECKED	APPROVED
A	NEW RELEASE	YCH 08/23/07'	~	



Section A-A



SPECIFICATION

- Insulation Resistance:1000MΩ Min.
- Withstand Voltage:500V AC/Minute.
- Durability:600 Cycles Min.
- Contact resistance:50mΩ max.
- Product Number Code:

DS1123-26 - X X X X X

- Shell plating
N:Nickel
- Housing Color
T:Transparent
- Contact Plating
0:Gold Flash 15:15u''Au
3:3u''Au 30:30u''Au
6:6u''Au
- No.Of Contacts
4:8p4c
- Connector Type
P:Plug
- Series No.
DS1123-26

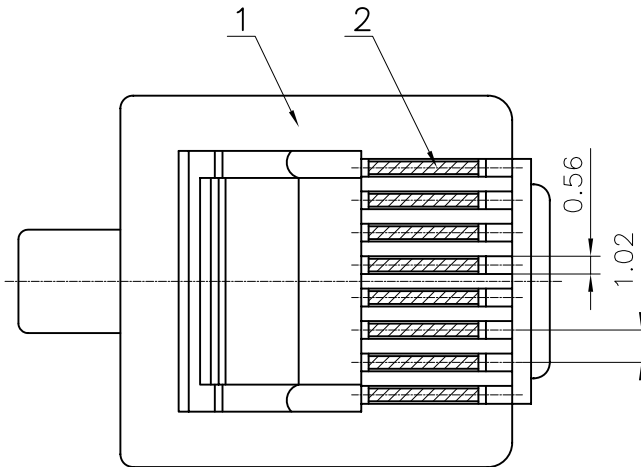
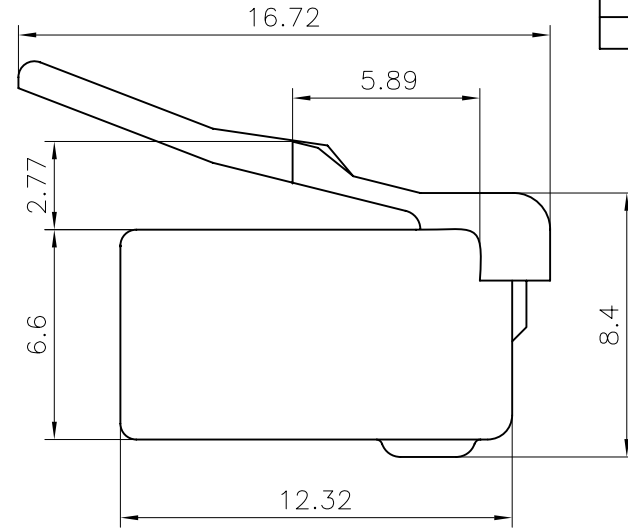
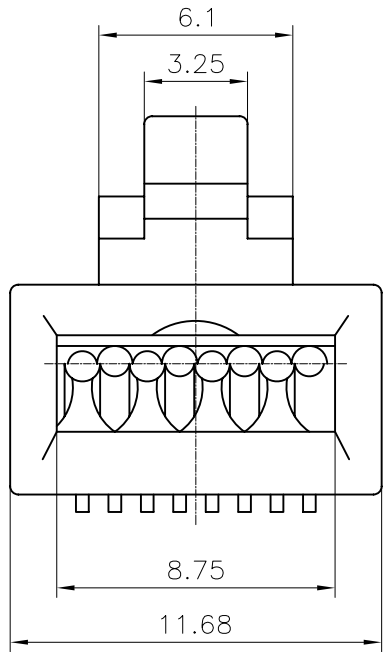
(3)	SHELL	1	Copper alloy	PIATING PLATING
(2)	BLADE	4	Copper alloy	GOLD PLATING
(1)	HOUSING	1	PC	UL94 V-0 OR 94 V-2
No.	PART NAME	Q'TY	MATERIAL	REMARK

GENERAL TOLERANCE		ANGLE TOLERANCE	
.X	±0.60	.X	±5°
.X	±0.38	.X	±3°
.XX	±0.25	.XX	±2°
DRAWING TYPE		CUSTOMER	
SCALE		1:1	SHEET 1 OF 1
DRAWING NO.		C-DS1123-26-XXXX	

PROJECTION		TITLE	PLUG 8P4C (PIN 1, 2, 3, 6) WITH SHELL SQUARE TYPE
UNITS	mm	SHEET	1 OF 1
SHEET SIZE	A4	SERIES	DS1123-26 SERIES

晨翔电子有限公司
CONNFLY CONNFLY ELECTRONIC CO. LTD

REV.	DESCRIPTION	DRAWN	CHECKED	APPROVED
A	NEW RELEASE	YCH 08/23/07'	~	



SPECIFICATION

1. Insulation Resistance:1000MΩ Min.
2. Withstand Voltage:500V AC/Minute.
3. Durability:600 Cycles Min.
4. Contact resistance:50mΩ max.
5. Product Number Code:

DS1123-07 - X X X X

Housing Color
T:Transparent

Contact Plating
0:Gold Flash 15:15u''Au
3:3u''Au 30:30u''Au
6:6u''Au

No.Of Contacts
8:8p8c


Connector Type
P:Plug

Series No.
DS1123-07

No.	PART NAME	Q'TY	MATERIAL	REMARK
(2)	BLADE	8	Copper alloy	GOLD PLATING
(1)	HOUSING	1	PC	UL94 V-0 OR 94 V-2

GENERAL TOLERANCE		ANGLE TOLERANCE	
X.	±0.60	X.	±5°
.X	±0.38	.X	±3°
.XX	±0.25	.XX	±2°
DRAWING TYPE		CUSTOMER	
SCALE		1:1	SHEET 1 OF 1
DRAWING NO.		C-DS1123-07-XXXX	

PROJECTION	TITLE
UNITS	PLUG 8P8C SHORT COMBINE TYPE
SHEET SIZE	SERIES DS1123-07 SERIES


晨翔电子有限公司
CONNFLY CONNFLY ELECTRONIC CO. LTD

REV.	DESCRIPTION	DRAWN	CHECKED	APPROVED
A	NEW RELEASE	LJH 03/01/05'		

SPECIFICATION

1. Insulation Resistance:1000MΩ Min.
2. Withstand Voltage:500V AC/Minute.
3. Durability:600 Cycles Min.
4. Contact resistance:50mΩ max.
5. Product Number Code:

DS1123 - X X X X

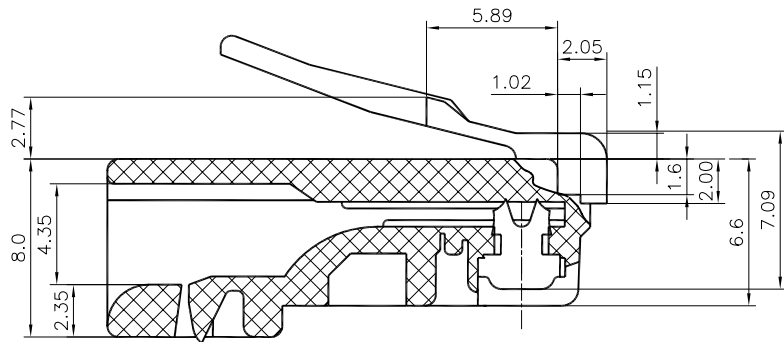
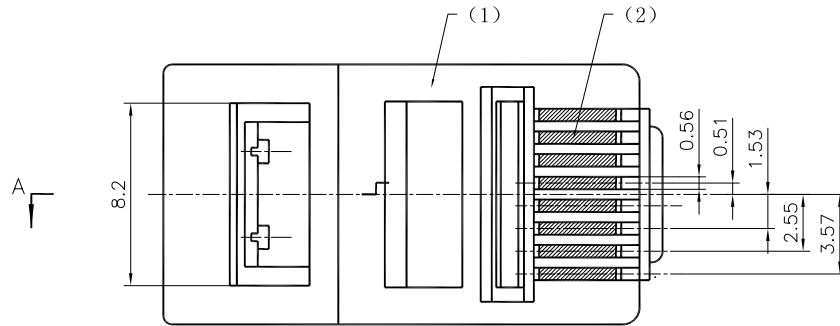
Housing Color
T:Transparent

Contact Plating
0:Gold Flash 15:15u''Au
3:3u''Au 30:30u''Au
6:6u''Au

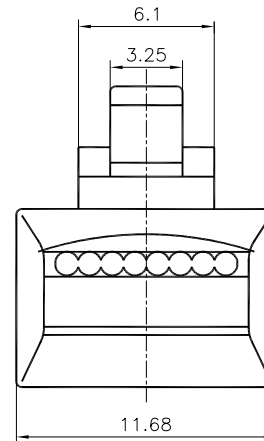
No.Of Contacts
8:8p8c

Connector Type
P:Plug

Series No.
DS1123



Section A-A




No.	PART NAME	Q'TY	MATERIAL	REMARK
(2)	BLADE	8	Copper alloy	GOLD PLATING
(1)	HOUSING	1	PC	UL94 V-0 OR 94 V-2

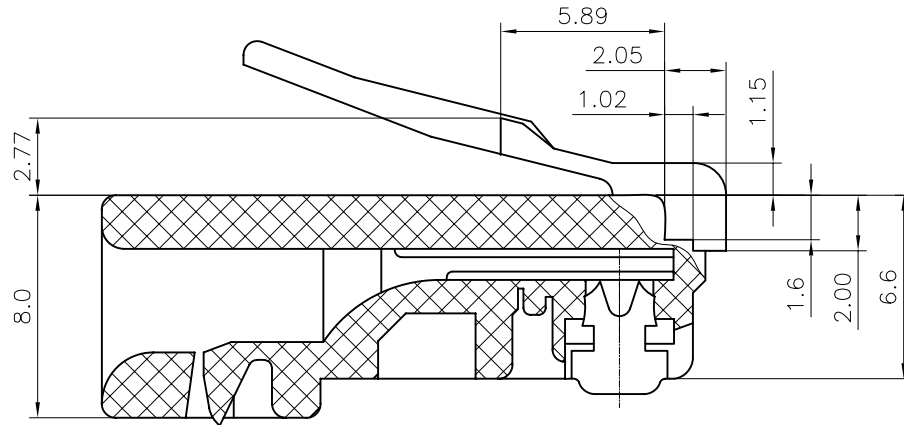
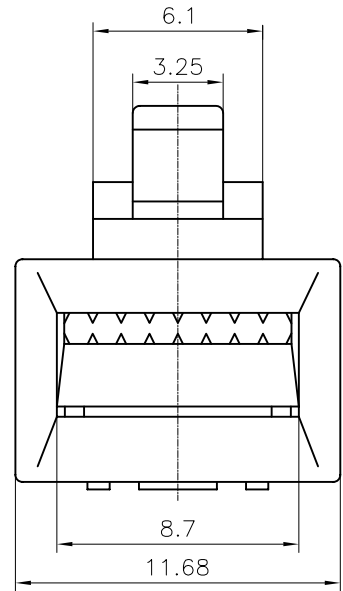
GENERAL TOLERANCE		ANGLE TOLERANCE	
X.	±0.60	X.	±5°
.X	±0.38	.X	±3°
.XX	±0.25	.XX	±2°

DRAWING TYPE	CUSTOMER		
SCALE	1:1	SHEET	1 OF 1
DRAWING NO.	C-DS1123-XXXX		

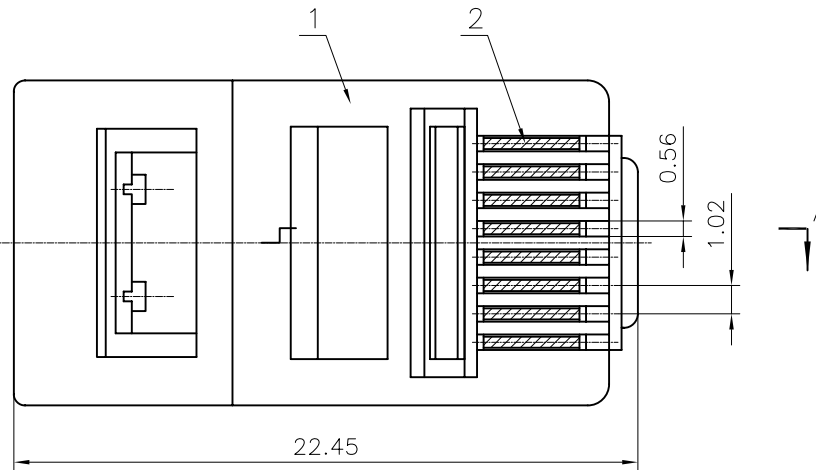
PROJECTION	TITLE
UNITS	RJ45 8P Plug
SHEET SIZE	SERIES DS1123 SERIES

 晨翔电子有限公司
CONNFLY CONNFLY ELECTRONIC CO. LTD

REV.	DESCRIPTION	DRAWN	CHECKED	APPROVED
A	NEW RELEASE	YCH 08/23/07'	~	



Section A-A



SPECIFICATION

- Insulation Resistance:1000MΩ Min.
- Withstand Voltage:500V AC/Minute.
- Durability:600 Cycles Min.
- Contact resistance:50mΩ max.
- Product Number Code:


DS1123-01 - X X X X

- Housing Color
T:Transparent
- Contact Plating
0:Gold Flash 15:15u''Au
3:3u''Au 30:30u''Au
6:6u''Au
- No.Of Contacts
8:8p8c
- Connector Type
P:Plug
- Series No.
DS1123-01

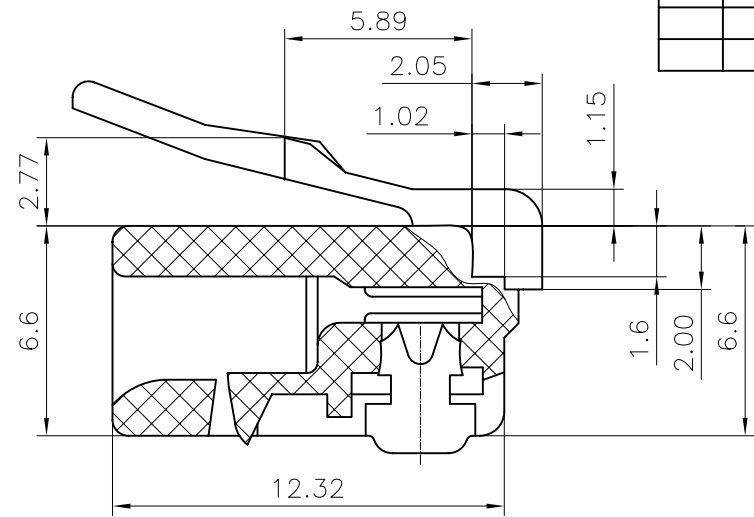
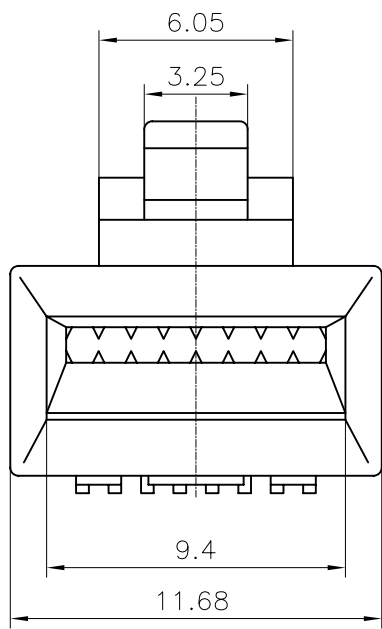
No.	PART NAME	Q'TY	MATERIAL	REMARK
(2)	BLADE	8	Copper alloy	GOLD PLATING
(1)	HOUSING	1	PC	UL94 V-0 OR 94 V-2

GENERAL TOLERANCE		ANGLE TOLERANCE	
X.	±0.60	X.	±5°
.X	±0.38	.X	±3°
.XX	±0.25	.XX	±2°
DRAWING TYPE		CUSTOMER	
SCALE		1:1	SHEET 1 OF 1
DRAWING NO.		C-DS1123-01-XXXX	

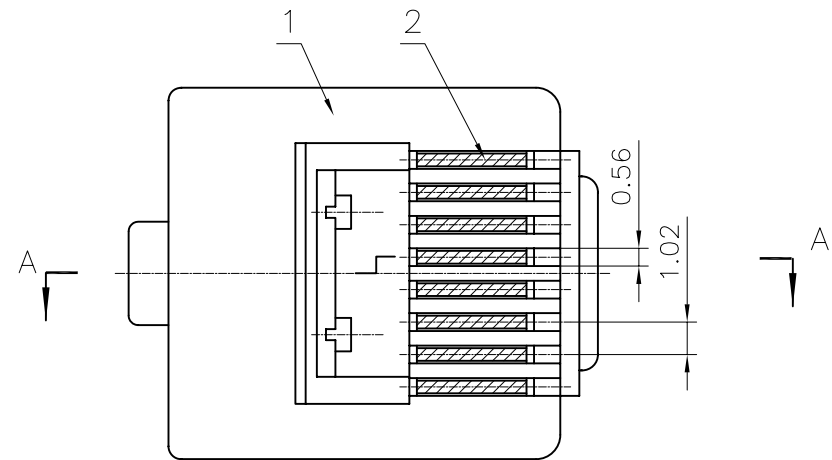
PROJECTION	TITLE
mm	PLUG 8P8C SQUARE TYPE
A4	SERIES DS1123-01 SERIES


晨翔电子有限公司
CONNFLY CONNFLY ELECTRONIC CO. LTD

REV.	DESCRIPTION	DRAWN	CHECKED	APPROVED
A	NEW RELEASE	YCH 08/23/07'	~	



Section A-A



SPECIFICATION

1. Insulation Resistance:1000MΩ Min.
2. Withstand Voltage:500V AC/Minute.
3. Durability:600 Cycles Min.
4. Contact resistance:50mΩ max.
5. Product Number Code:

DS1123-02 - X X X X


- Housing Color
T:Transparent
- Contact Plating
0:Gold Flash 15:15u''Au
3:3u''Au 30:30u''Au
6:6u''Au
- No.Of Contacts
8:8p8c
- Connector Type
P:Plug
- Series No.
DS1123-02

No.	PART NAME	Q'TY	MATERIAL	REMARK
(2)	BLADE	8	Copper alloy	GOLD PLATING
(1)	HOUSING	1	PC	UL94 V-0 OR 94 V-2

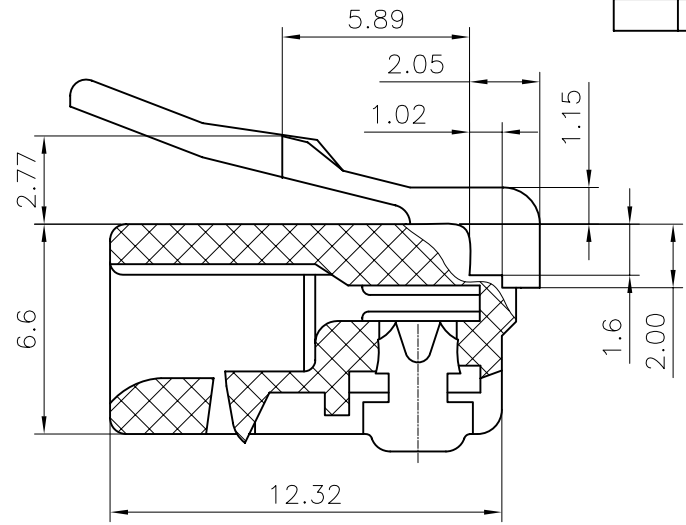
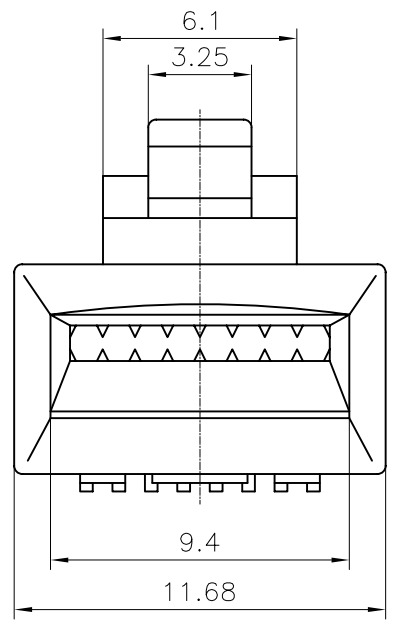
GENERAL TOLERANCE		ANGLE TOLERANCE	
X.	±0.60	X.	±5°
.X	±0.38	.X	±3°
.XX	±0.25	.XX	±2°

DRAWING TYPE	CUSTOMER		
SCALE	1:1	SHEET	1 OF 1
DRAWING NO.	C-DS1123-02-XXXX		

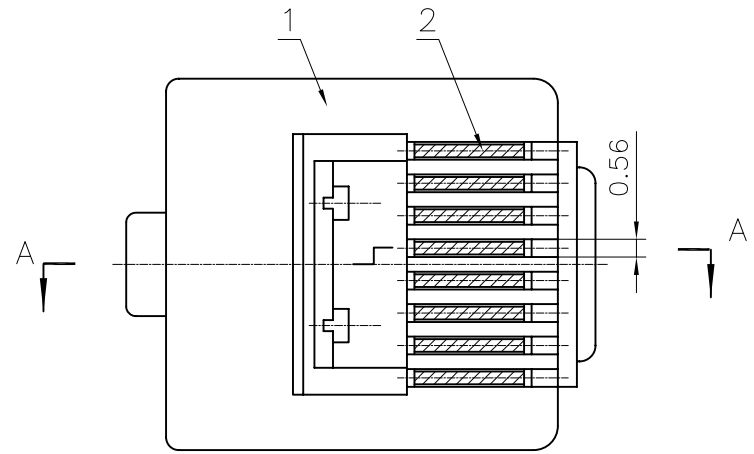
PROJECTION	TITLE
UNITS	PLUG 8P8C SQUARE & SHORT TYPE
SHEET SIZE	SERIES DS1123-02 SERIES


晨翔电子有限公司
CONNFLY CONNFLY ELECTRONIC CO. LTD

REV.	DESCRIPTION	DRAWN	CHECKED	APPROVED
A	NEW RELEASE	YCH 08/23/07'	~	



Section A-A



SPECIFICATION

1. Insulation Resistance:1000MΩ Min.
2. Withstand Voltage:500V AC/Minute.
3. Durability:600 Cycles Min.
4. Contact resistance:50mΩ max.
5. Product Number Code:


DS1123-03 - X X X X

- Housing Color
T:Transparent
- Contact Plating
0:Gold Flash 15:15u''Au
3:3u''Au 30:30u''Au
6:6u''Au
- No.Of Contacts
8:8p8c
- Connector Type
P:Plug
- Series No.
DS1123-03

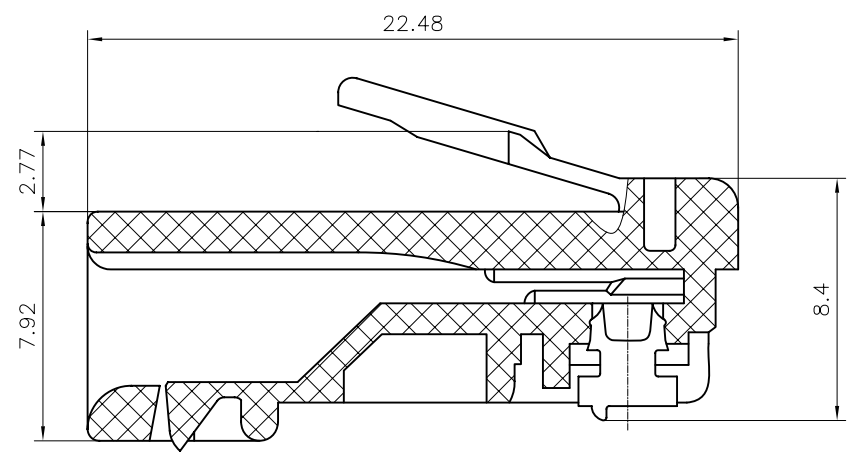
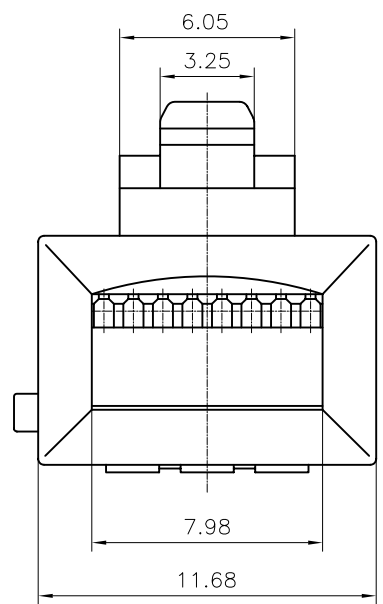
No.	PART NAME	Q'TY	MATERIAL	REMARK
(2)	BLADE	8	Copper alloy	GOLD PLATING
(1)	HOUSING	1	PC	UL94 V-0 OR 94 V-2

GENERAL TOLERANCE		ANGLE TOLERANCE	
X.	±0.60	X.	±5°
.X	±0.38	.X	±3°
.XX	±0.25	.XX	±2°
DRAWING TYPE		CUSTOMER	
SCALE		1:1	SHEET 1 OF 1
DRAWING NO.		C-DS1123-03-XXXX	

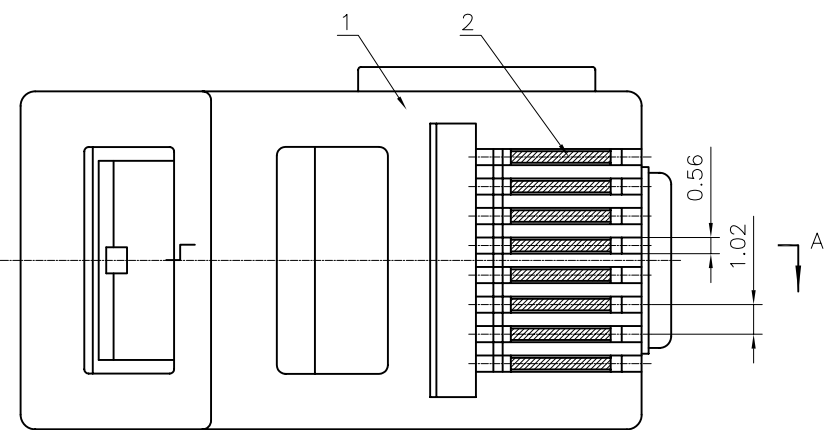
PROJECTION	TITLE
mm	PLUG 8P8C ROUND & SHORT TYPE
A4	SERIES DS1123-03 SERIES


晨翔电子有限公司
CONNFLY CONNFLY ELECTRONIC CO. LTD

REV.	DESCRIPTION	DRAWN	CHECKED	APPROVED
A	NEW RELEASE	YCH 08/23/07'		



SECTION A-A



SPECIFICATION

1. Insulation Resistance:1000MΩ Min.
2. Withstand Voltage:500V AC/Minute.
3. Durability:600 Cycles Min.
4. Contact resistance:50mΩ max.
5. Product Number Code:

DS1123-04 - X X X X

- Housing Color
T:Transparent
- Contact Plating
0:Gold Flash 15:15u''Au
3:3u''Au 30:30u''Au
6:6u''Au
- No.Of Contacts
8:8p8c
- Connector Type
P:Plug
- Series No.
DS1123-04

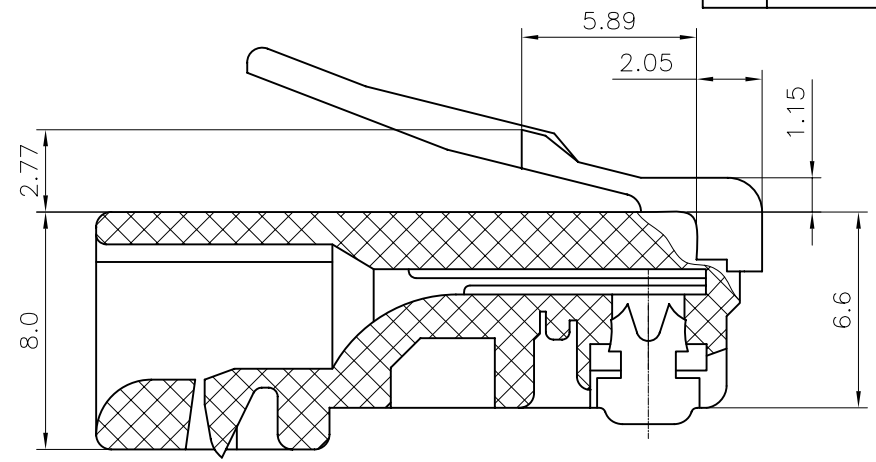
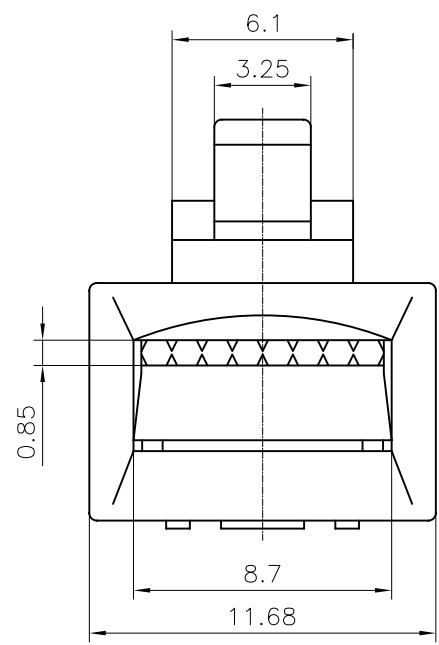
No.	PART NAME	Q'TY	MATERIAL	REMARK
(2)	BLADE	8	Copper alloy	GOLD PLATING
(1)	HOUSING	1	PC	UL94 V-0 OR 94 V-2

GENERAL TOLERANCE		ANGLE TOLERANCE	
X.	±0.60	X.	±5'
.X	±0.38	.X	±3'
.XX	±0.25	.XX	±2'
DRAWING TYPE		CUSTOMER	
SCALE		1:1	SHEET 1 OF 1
DRAWING NO.		C-DS1123-04-XXXX	

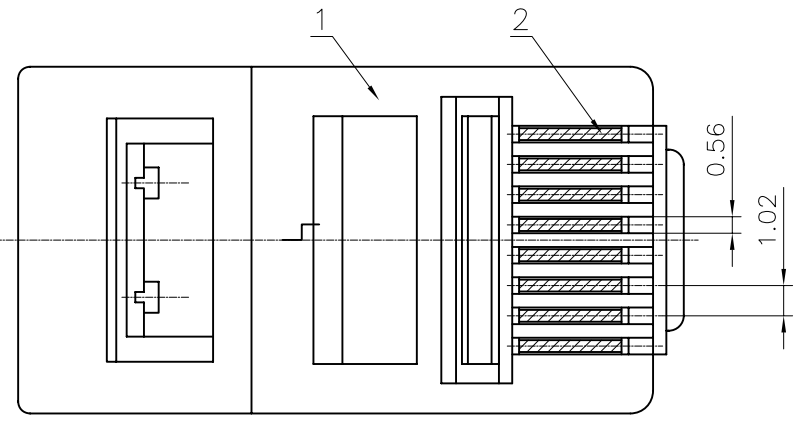
PROJECTION	TITLE
	Plug 8P8C ROUND WITH KEY TYPE
UNITS	mm
SHEET SIZE	A4
SERIES	DS1123-04 SERIES

晨翔电子有限公司
CONNFLY CONNFLY ELECTRONIC CO. LTD

REV.	DESCRIPTION	DRAWN	CHECKED	APPROVED
A	NEW RELEASE	YCH 08/23/07'	~	



Section A-A



SPECIFICATION

1. Insulation Resistance:1000MΩ Min.
2. Withstand Voltage:500V AC/Minute.
3. Durability:600 Cycles Min.
4. Contact resistance:50mΩ max.
5. Product Number Code:

DS1123-05 - X X X X

- Housing Color
T:Transparent
- Contact Plating
0:Gold Flash 15:15u''Au
3:3u''Au 30:30u''Au
6:6u''Au
- No.Of Contacts
8:8p8c
- Connector Type
P:Plug
- Series No.
DS1123-05



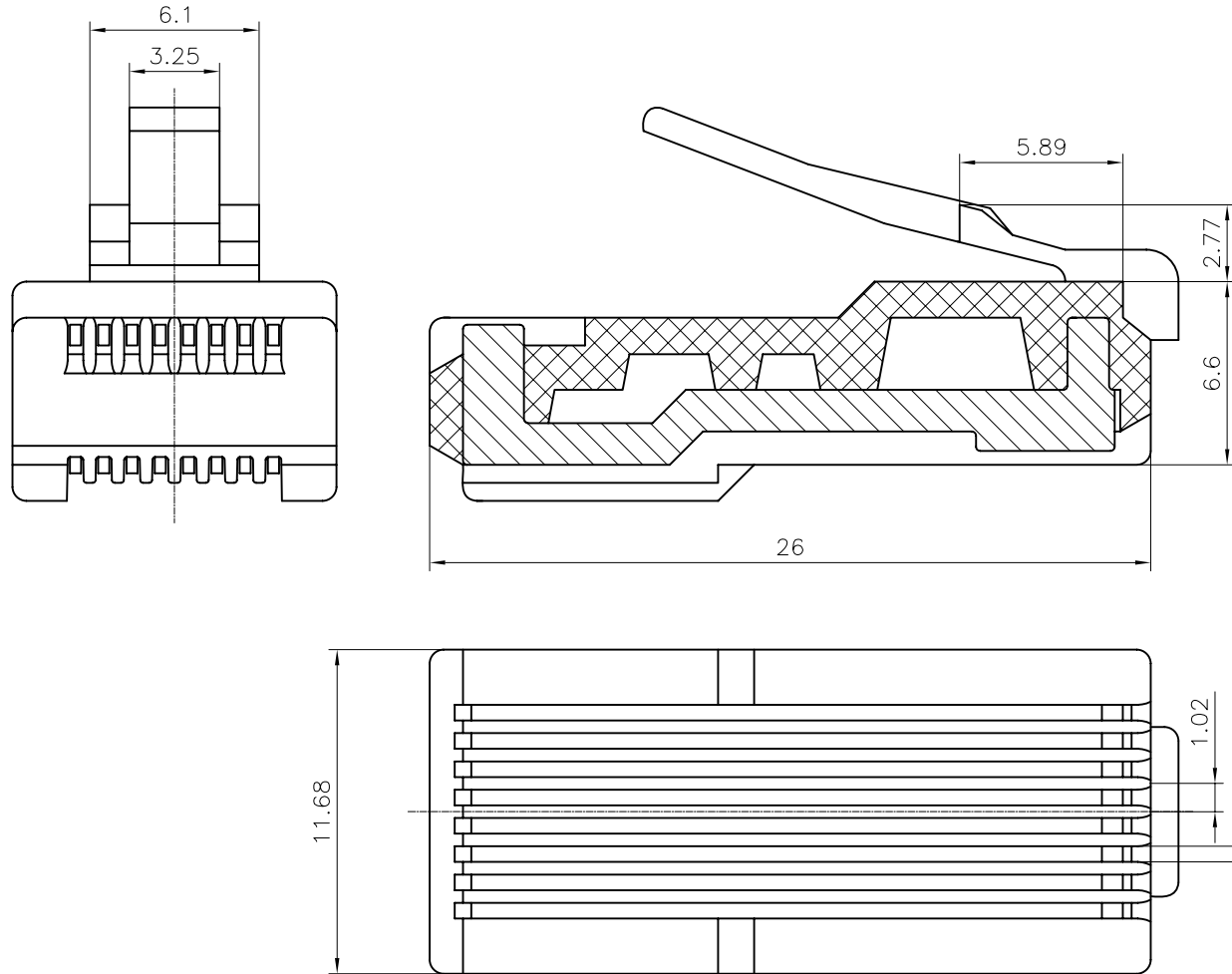
No.	PART NAME	Q'TY	MATERIAL	REMARK
(2)	BLADE	8	Copper alloy	GOLD PLATING
(1)	HOUSING	1	PC	UL94 V-0 OR 94 V-2

GENERAL TOLERANCE		ANGLE TOLERANCE	
X.	±0.60	X.	±5°
.X	±0.38	.X	±3°
.XX	±0.25	.XX	±2°
DRAWING TYPE		CUSTOMER	
SCALE		1:1	SHEET 1 OF 1
DRAWING NO.		C-DS1123-05-XXXX	

PROJECTION	TITLE
mm	PLUG 8P8C ROUND TYPE 0.85mm
A4	SERIES DS1123-05 SERIES

晨翔电子有限公司
CONNFLY CONNFLY ELECTRONIC CO. LTD

REV.	DESCRIPTION	DRAWN	CHECKED	APPROVED
A	NEW RELEASE	YCH 08/23/07'	~	



SPECIFICATION

1. Insulation Resistance:1000MΩ Min.
2. Withstand Voltage:500V AC/Minute.
3. Durability:600 Cycles Min.
4. Contact resistance:50mΩ max.
5. Product Number Code:

DS1123-06 - X X X X


- Housing Color
T:Transparent
- Contact Plating
0:Gold Flash 15:15u''Au
3:3u''Au 30:30u''Au
6:6u''Au
- No.Of Contacts
8:8p8c
- Connector Type
P:Plug
- Series No.
DS1123-06

No.	PART NAME	Q'TY	MATERIAL	REMARK
(2)	BLADE	8	Copper alloy	GOLD PLATING
(1)	HOUSING	1	PC	UL94 V-0 OR 94 V-2

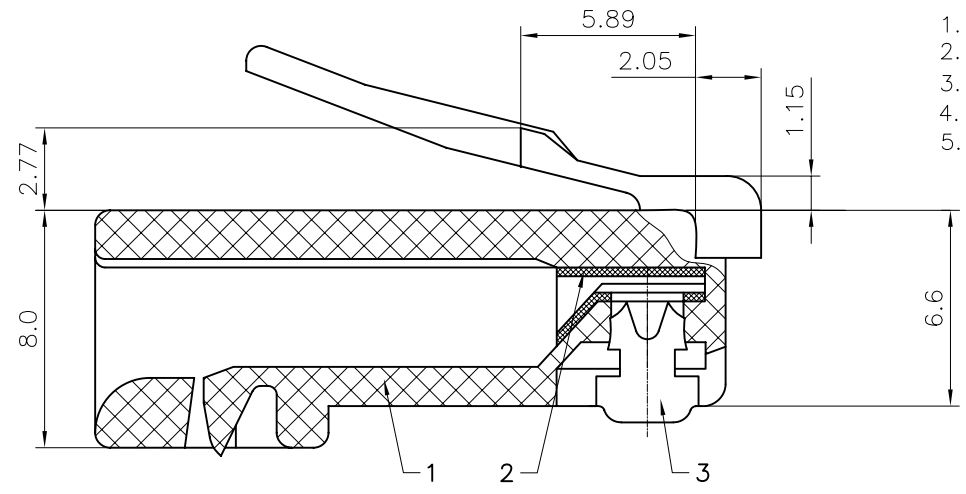
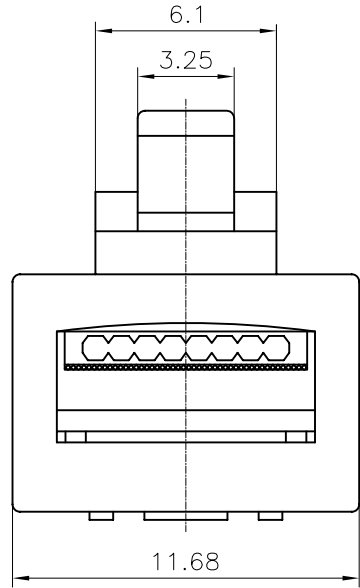
GENERAL TOLERANCE		ANGLE TOLERANCE	
X.	±0.60	X.	±5°
.X	±0.38	.X	±3°
.XX	±0.25	.XX	±2°

DRAWING TYPE	CUSTOMER		
SCALE	1:1	SHEET	1 OF 1
DRAWING NO.	C-DS1123-06-XXXX		

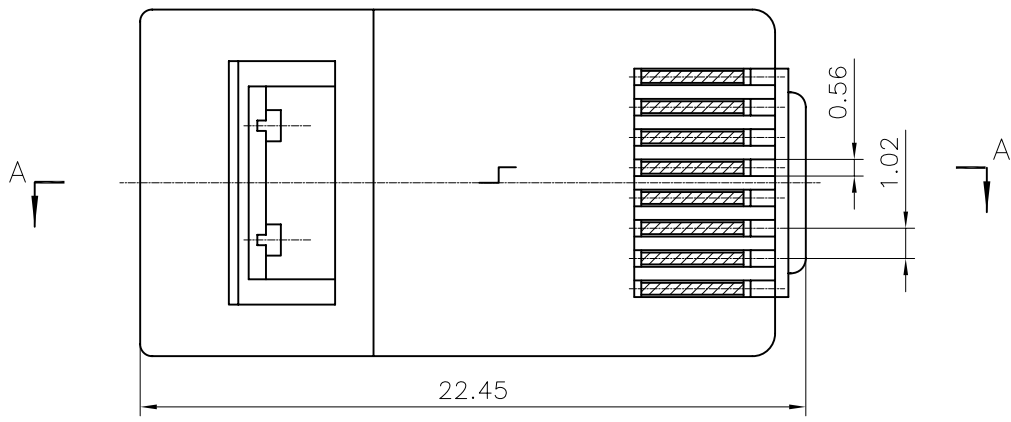
PROJECTION	TITLE
UNITS	PLUG 8P8C THROUGH PIN TYPE
SHEET SIZE	SERIES DS1123-06 SERIES


晨翔电子有限公司
CONNFLY CONNFLY ELECTRONIC CO. LTD

REV.	DESCRIPTION	DRAWN	CHECKED	APPROVED
A	NEW RELEASE	YCH 08/23/07'	~	



Section A-A



SPECIFICATION

1. Insulation Resistance:1000MΩ Min.
2. Withstand Voltage:500V AC/Minute.
3. Durability:600 Cycles Min.
4. Contact resistance:50mΩ max.
5. Product Number Code:


DS1123-08 - X X X X

- Housing Color
T:Transparent
- Contact Plating
0:Gold Flash 15:15u''Au
3:3u''Au 30:30u''Au
6:6u''Au
- No.Of Contacts
8:8p8c
- Connector Type
P:Plug
- Series No.
DS1123-08

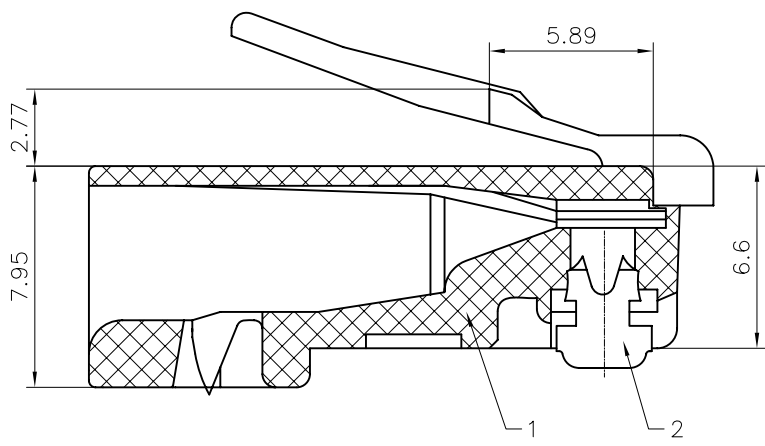
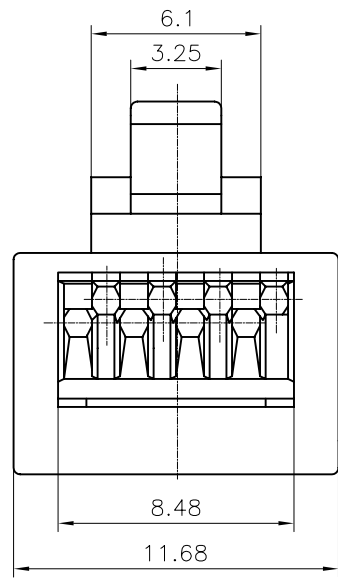
(3)	BLADE	8	Copper alloy	GOLD PLATING
(2)	COVER	1	PC	UL94 V-0 OR 94 V-2
(1)	HOUSING	1	PC	UL94 V-0 OR 94 V-2
No.	PART NAME	Q'TY	MATERIAL	REMARK

GENERAL TOLERANCE		ANGLE TOLERANCE	
X.	±0.60	X.	±5°
.X	±0.38	.X	±3°
.XX	±0.25	.XX	±2°
DRAWING TYPE		CUSTOMER	
SCALE		1:1	SHEET 1 OF 1
DRAWING NO.		C-DS1123-08-XXXX	

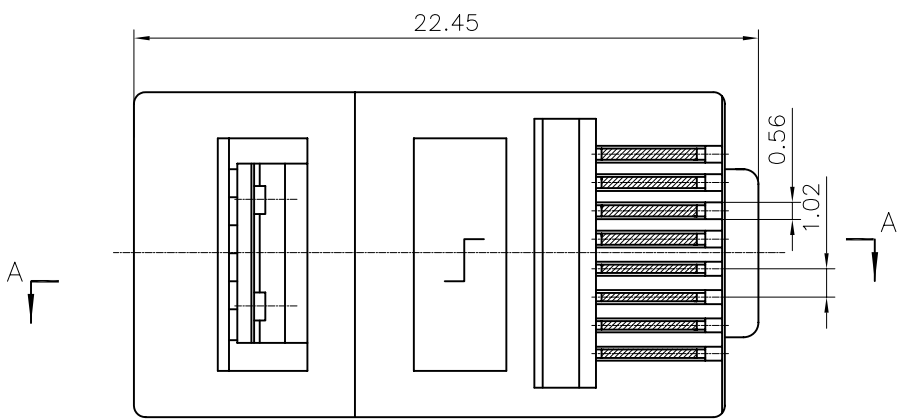
PROJECTION	TITLE
mm	PLUG 8P8C ROUND WITH COVER TYPE
A4	SERIES DS1123-08 SERIES


晨翔电子有限公司
CONNFLY CONNFLY ELECTRONIC CO. LTD

REV.	DESCRIPTION	DRAWN	CHECKED	APPROVED
A	NEW RELEASE	YCH 08/23/07'	~	



Section A-A



SPECIFICATION

1. Insulation Resistance:1000MΩ Min.
2. Withstand Voltage:500V AC/Minute.
3. Durability:600 Cycles Min.
4. Contact resistance:50mΩ max.
5. Product Number Code:


DS1123-09 - X X X X

- Housing Color
T:Transparent
- Contact Plating
0:Gold Flash 15:15u''Au
3:3u''Au 30:30u''Au
6:6u''Au
- No.Of Contacts
8:8p8c
- Connector Type
P:Plug
- Series No.
DS1123-09

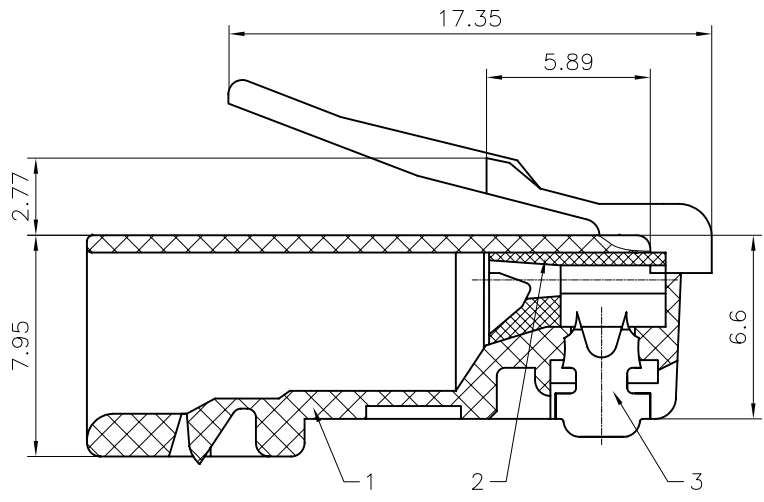
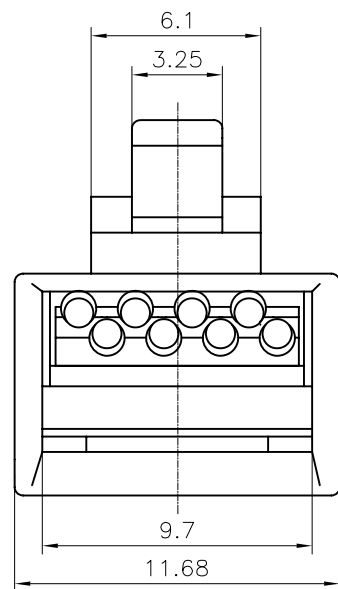
No.	PART NAME	Q'TY	MATERIAL	REMARK
(2)	BLADE	8	Copper alloy	GOLD PLATING
(1)	HOUSING	1	PC	UL94 V-0 OR 94 V-2

GENERAL TOLERANCE		ANGLE TOLERANCE	
X.	±0.60	X.	±5°
.X	±0.38	.X	±3°
.XX	±0.25	.XX	±2°
DRAWING TYPE		CUSTOMER	
SCALE		1:1	SHEET 1 OF 1
DRAWING NO.		C-DS1123-09-XXXX	

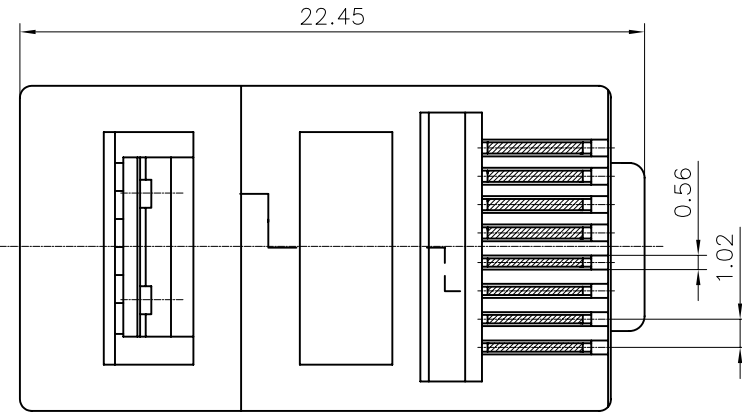
PROJECTION	TITLE
mm	PLUG 8P8C W/O COVER TYPE
A4	SERIES DS1123-09 SERIES


晨翔电子有限公司
CONNFLY CONNFLY ELECTRONIC CO. LTD

REV.	DESCRIPTION	DRAWN	CHECKED	APPROVED
A	NEW RELEASE	YCH 08/23/07'	~	



Section A-A



SPECIFICATION

- Insulation Resistance:1000MΩ Min.
- Withstand Voltage:500V AC/Minute.
- Durability:600 Cycles Min.
- Contact resistance:50mΩ max.
- Product Number Code:

DS1123-10 - X X X X

- Housing Color
T:Transparent
- Contact Plating
0:Gold Flash 15:15u''Au
3:3u''Au 30:30u''Au
6:6u''Au
- No.Of Contacts
8:8p8c
- Connector Type
P:Plug
- Series No.
DS1123-10

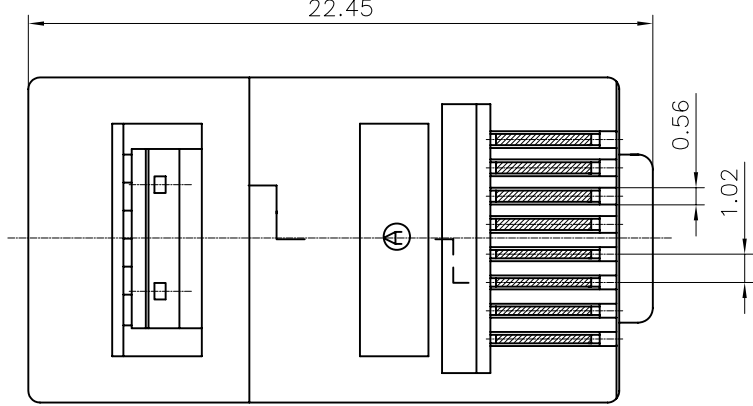
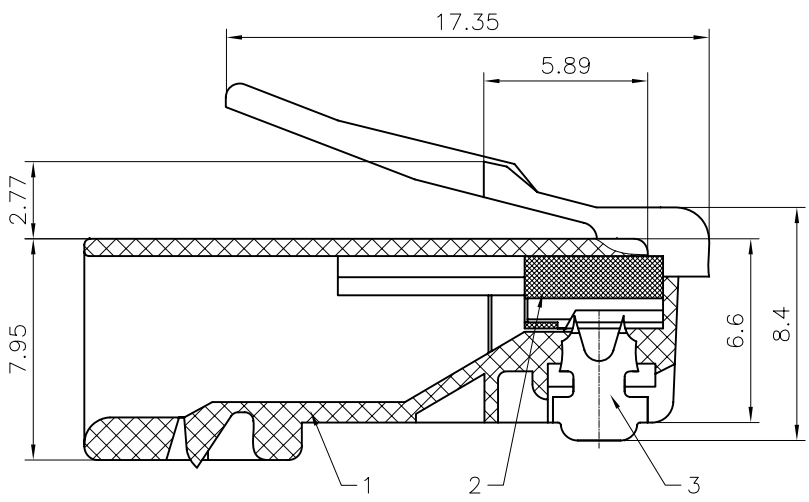
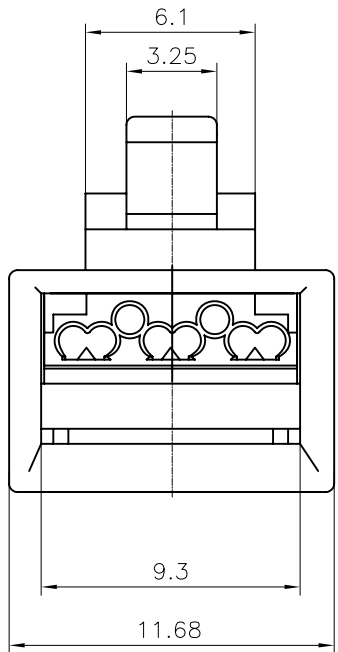
(3)	BLADE	8	Copper alloy	GOLD PLATING
(2)	COVER	1	PC	UL94 V-0 OR 94 V-2
(1)	HOUSING	1	PC	UL94 V-0 OR 94 V-2
No.	PART NAME	Q'TY	MATERIAL	REMARK

GENERAL TOLERANCE		ANGLE TOLERANCE	
X.	±0.60	X.	±5°
.X	±0.38	.X	±3°
.XX	±0.25	.XX	±2°
DRAWING TYPE		CUSTOMER	
SCALE		1:1	SHEET 1 OF 1
DRAWING NO.		C-DS1123-10-XXXX	

PROJECTION	TITLE
	PLUG 8P8C(UPPER 4 & LOWER 4) WITH COVER
UNITS	mm
SHEET SIZE	A4
SERIES	DS1123-10 SERIES

晨翔电子有限公司
CONNFLY CONNFLY ELECTRONIC CO. LTD

REV.	DESCRIPTION	DRAWN	CHECKED	APPROVED
A	NEW RELEASE	YCH 08/23/07'	~	



SPECIFICATION

- Insulation Resistance:1000MΩ Min.
- Withstand Voltage:500V AC/Minute.
- Durability:600 Cycles Min.
- Contact resistance:50mΩ max.
- Product Number Code:

DS1123-11 - X X X X

- Housing Color
T:Transparent
- Contact Plating
0:Gold Flash 15:15u''Au
3:3u''Au 30:30u''Au
6:6u''Au
- No.Of Contacts
8:8p8c
- Connector Type
P:Plug
- Series No.
DS1123-11

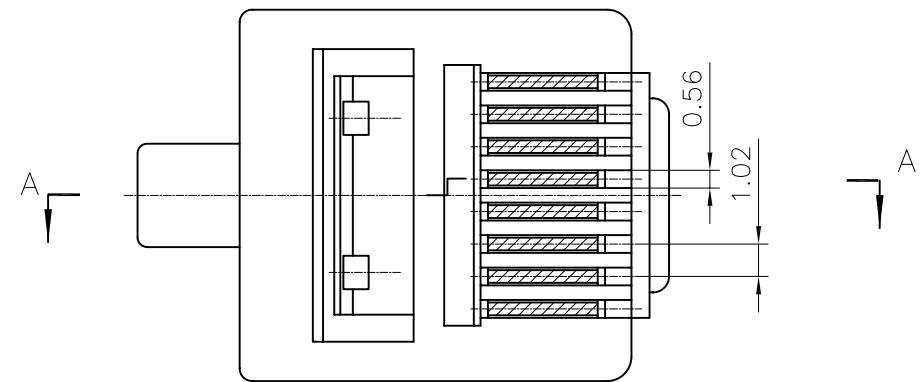
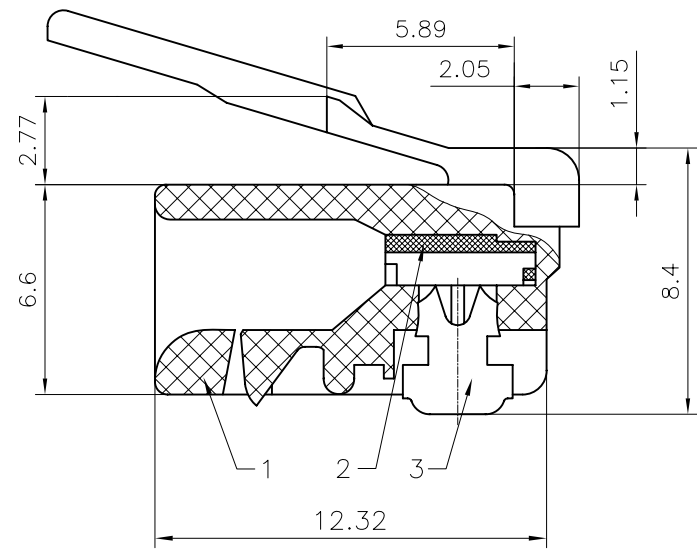
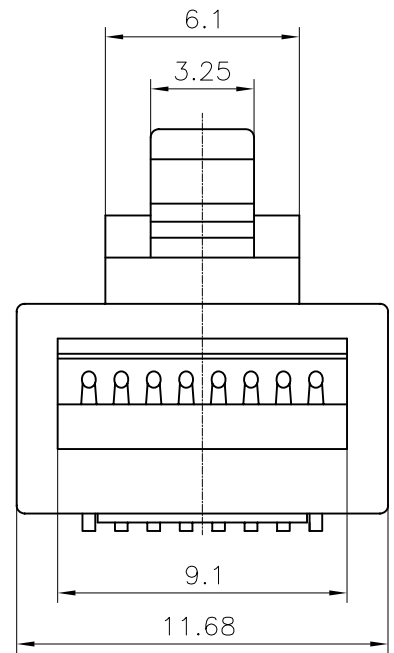
(3)	BLADE	8	Copper alloy	GOLD PLATING
(2)	COVER	1	PC	UL94 V-0 OR 94 V-2
(1)	HOUSING	1	PC	UL94 V-0 OR 94 V-2
No.	PART NAME	Q'TY	MATERIAL	REMARK

GENERAL TOLERANCE		ANGLE TOLERANCE	
X.	±0.60	X.	±5'
.X	±0.38	.X	±3'
.XX	±0.25	.XX	±2'
DRAWING TYPE		CUSTOMER	
SCALE		1:1	SHEET 1 OF 1
DRAWING NO.		C-DS1123-11-XXXX	

PROJECTION	TITLE
	PLUG 8P8C(UPPER 2 & LOWER 6) WITH COVER
UNITS	mm
SHEET SIZE	A4
SERIES	DS1123-11 SERIES

晨翔电子有限公司
CONNFLY CONNFLY ELECTRONIC CO. LTD

REV.	DESCRIPTION	DRAWN	CHECKED	APPROVED
A	NEW RELEASE	YCH 08/23/07'	~	



SPECIFICATION

1. Insulation Resistance:1000MΩ Min.
2. Withstand Voltage:500V AC/Minute.
3. Durability:600 Cycles Min.
4. Contact resistance:50mΩ max.
5. Product Number Code:


DS1123-12 - X X X X

- Housing Color
T:Transparent
- Contact Plating
0:Gold Flash 15:15u''Au
3:3u''Au 30:30u''Au
6:6u''Au
- No.Of Contacts
8:8p8c
- Connector Type
P:Plug
- Series No.
DS1123-12

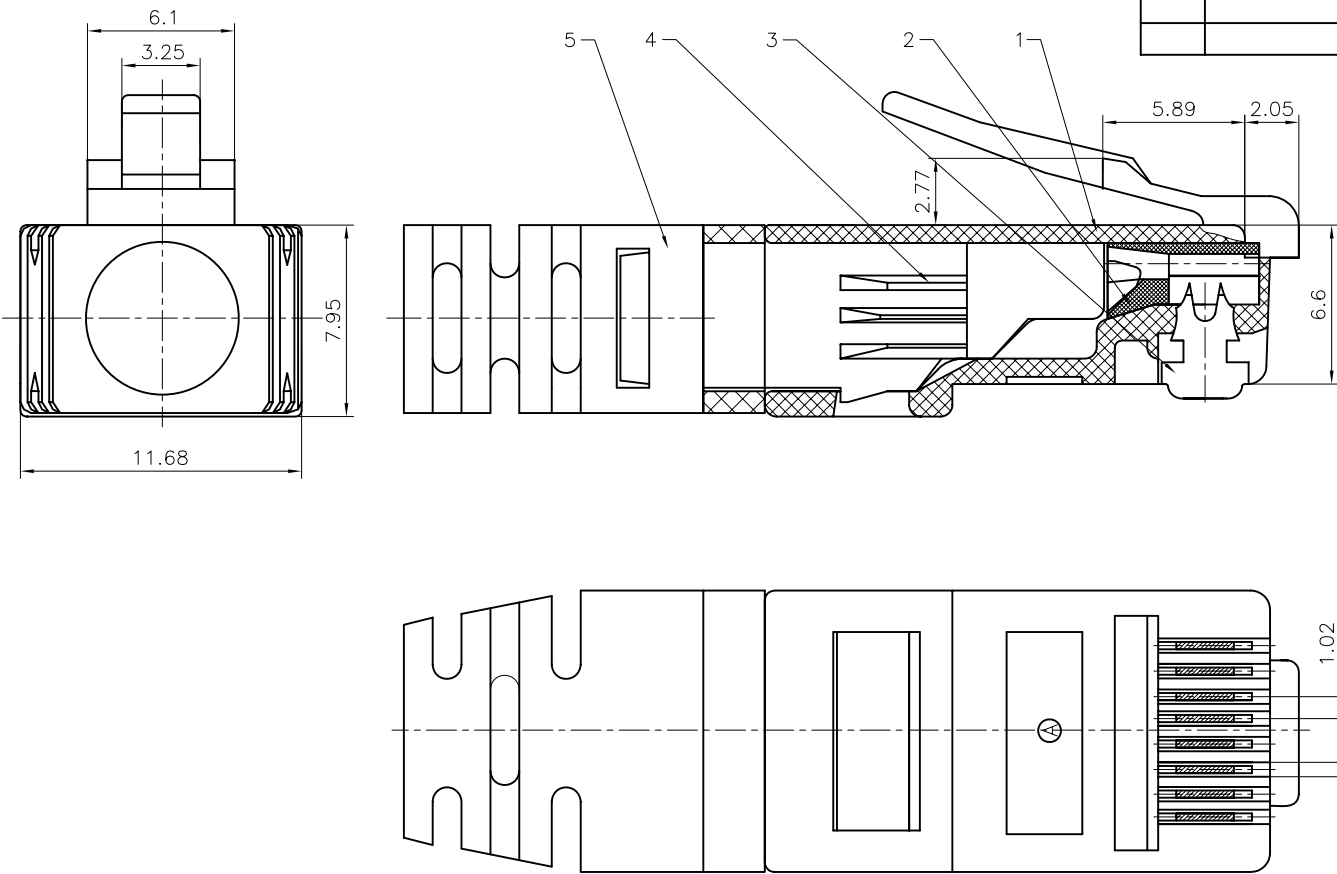
(3)	BLADE	8	Copper alloy	GOLD PLATING
(2)	COVER	1	PC	UL94 V-0 OR 94 V-2
(1)	HOUSING	1	PC	UL94 V-0 OR 94 V-2
No.	PART NAME	Q'TY	MATERIAL	REMARK

GENERAL TOLERANCE		ANGLE TOLERANCE	
X.	±0.60	X.	±5°
.X	±0.38	.X	±3°
.XX	±0.25	.XX	±2°
DRAWING TYPE		CUSTOMER	
SCALE		1:1	SHEET 1 OF 1
DRAWING NO.		C-DS1123-12-XXXX	

PROJECTION	TITLE
mm	PLUG 8P8C SHORT WITH COVER TYPE
A4	SERIES DS1123-12 SERIES


晨翔电子有限公司
CONNFLY CONNFLY ELECTRONIC CO. LTD

REV.	DESCRIPTION	DRAWN	CHECKED	APPROVED
A	NEW RELEASE	YCH 08/23/07'	~	



SPECIFICATION

1. Insulation Resistance:1000MΩ Min.
2. Withstand Voltage:500V AC/Minute.
3. Durability:600 Cycles Min.
4. Contact resistance:50mΩ max.
5. Product Number Code:

DS1123-13 - X X X X


- Housing Color
T:Transparent
- Contact Plating
0:Gold Flash 15:15u''Au
3:3u''Au 30:30u''Au
6:6u''Au
- No.Of Contacts
8:8p8c
- Connector Type
P:Plug
- Series No.
DS1123-13

(5)	SR	1	PVC	UL94 V-0 OR 94 V-2
(4)	INSERT	1	PC	UL94 V-0 OR 94 V-2
(3)	BLADE	8	Copper alloy	GOLD PLATING
(2)	COVER	1	PC	UL94 V-0 OR 94 V-2
(1)	HOUSING	1	PC	UL94 V-0 OR 94 V-2
No.	PART NAME	Q'TY	MATERIAL	REMARK

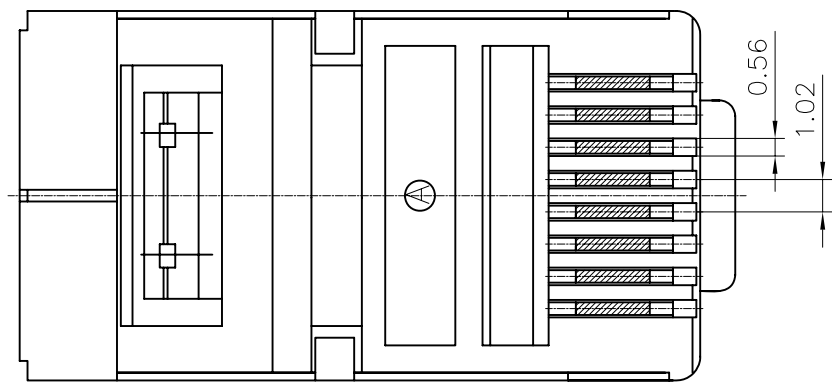
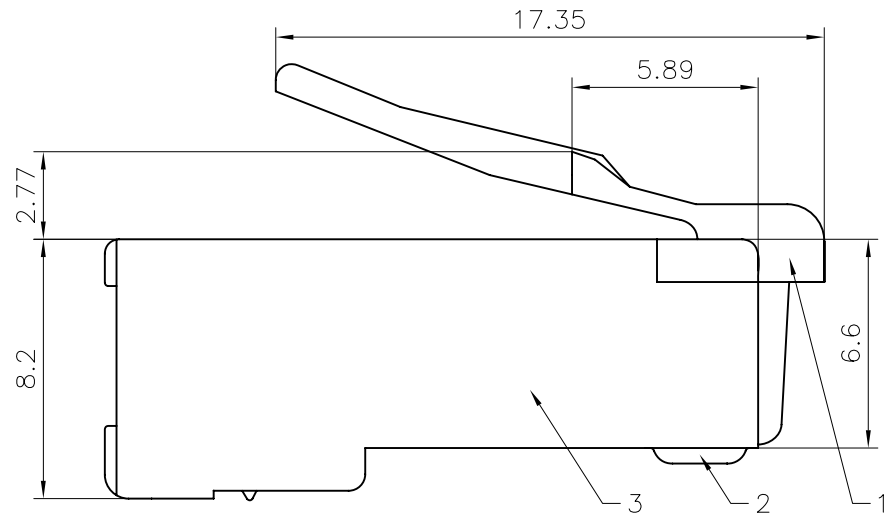
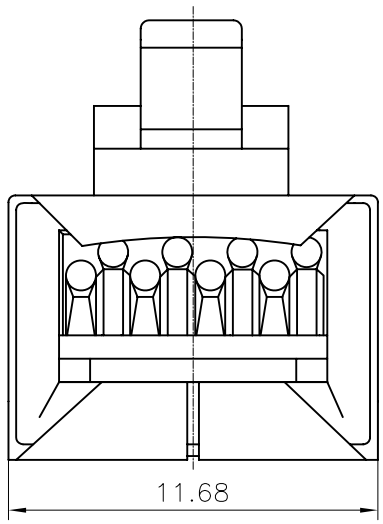
GENERAL TOLERANCE		ANGLE TOLERANCE	
X.	±0.60	X.	±5°
.X	±0.38	.X	±3°
.XX	±0.25	.XX	±2°

DRAWING TYPE	CUSTOMER		
SCALE	1:1	SHEET	1 OF 1
DRAWING NO.	C-DS1123-13-XXXX		

PROJECTION	TITLE
UNITS	PLUG 8P8C WITH COVER & HOOD
SHEET SIZE	SERIES DS1123-13 SERIES


晨翔电子有限公司
CONNFLY CONNFLY ELECTRONIC CO. LTD

REV.	DESCRIPTION	DRAWN	CHECKED	APPROVED
A	NEW RELEASE	YCH 08/23/07'	~	



SPECIFICATION

1. Insulation Resistance:1000MΩ Min.
2. Withstand Voltage:500V AC/Minute.
3. Durability:600 Cycles Min.
4. Contact resistance:50mΩ max.
5. Product Number Code:

DS1123-14 - X X X X X

- Shell Plating
N:Nickel
- Housing Color
T:Transparent
- Contact Plating
0:Gold Flash 15:15u''Au
3:3u''Au 30:30u''Au
6:6u''Au
- No.Of Contacts
8:8p8c
- Connector Type
P:Plug
- Series No.
DS1123-14

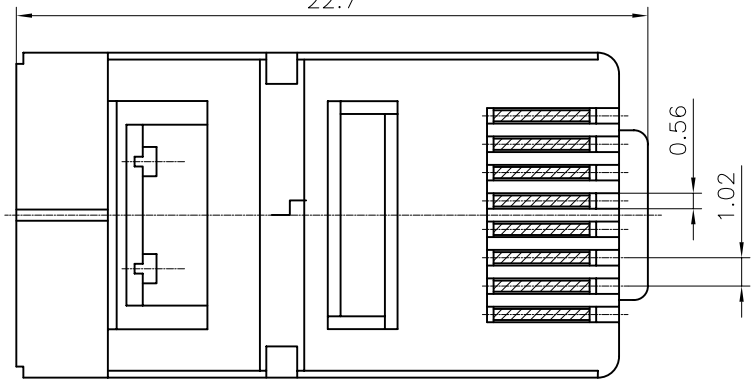
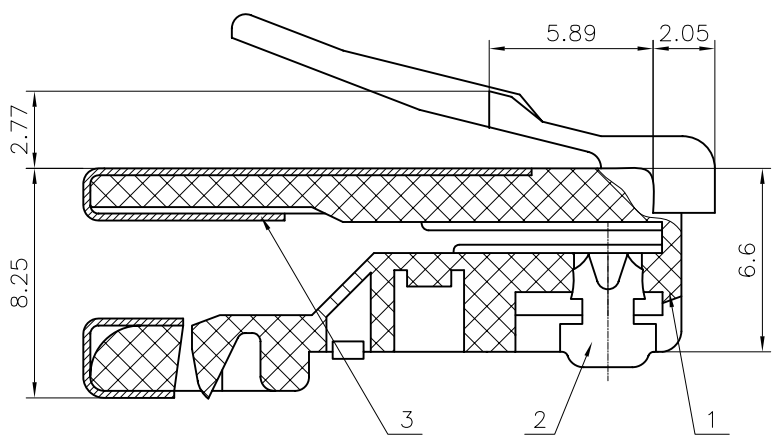
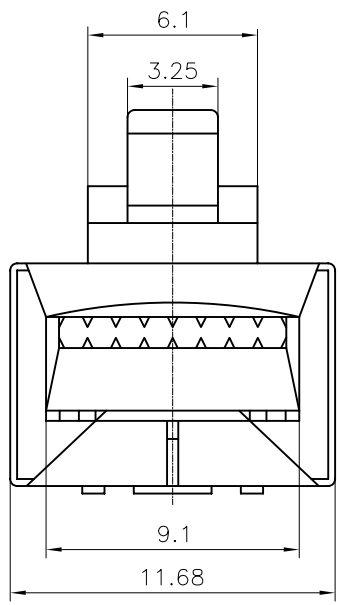
(3)	BLADE	8	Copper alloy	GOLD PLATING
(2)	SHELL	1	Copper alloy	NICKEL PLATING
(1)	HOUSING	1	PC	UL94 V-0 OR 94 V-2
No.	PART NAME	Q'TY	MATERIAL	REMARK

GENERAL TOLERANCE		ANGLE TOLERANCE	
X.	±0.60	X.	±5°
.X	±0.38	.X	±3°
.XX	±0.25	.XX	±2°
DRAWING TYPE		CUSTOMER	
SCALE		1:1	SHEET 1 OF 1
DRAWING NO.		C-DS1123-14-XXXX	

PROJECTION	TITLE
	PLUG 8P8C WITH SHELL(COMBINE TYPE)
UNITS	mm
SHEET SIZE	A4
SERIES	DS1123-14 SERIES

晨翔电子有限公司
CONNFLY CONNFLY ELECTRONIC CO. LTD

REV.	DESCRIPTION	DRAWN	CHECKED	APPROVED
A	NEW RELEASE	YCH 08/23/07'	~	



SPECIFICATION

1. Insulation Resistance:1000MΩ Min.
2. Withstand Voltage:500V AC/Minute.
3. Durability:600 Cycles Min.
4. Contact resistance:50mΩ max.
5. Product Number Code:

DS1123-15 - X X X X X

- Shell plating
N:Nickel
- Housing Color
T:Transparent
- Contact Plating
0:Gold Flash 15:15u''Au
3:3u''Au 30:30u''Au
6:6u''Au
- No.Of Contacts
8:8p8c
- Connector Type
P:Plug
- Series No.
DS1123-15

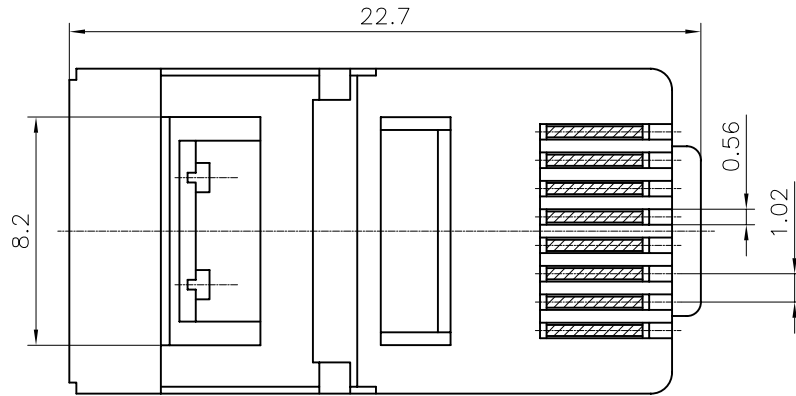
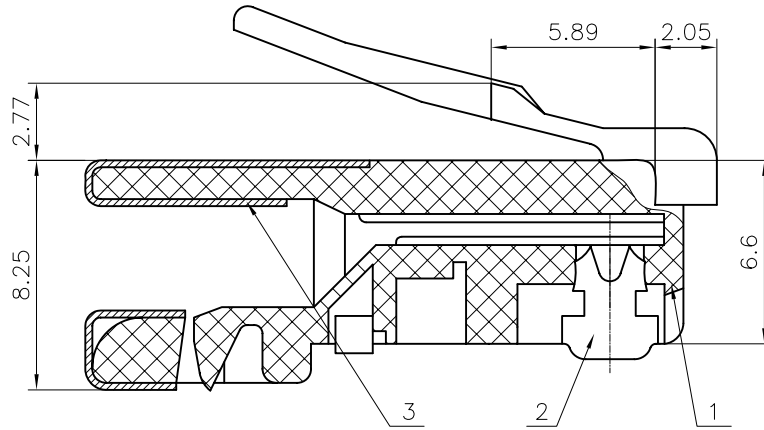
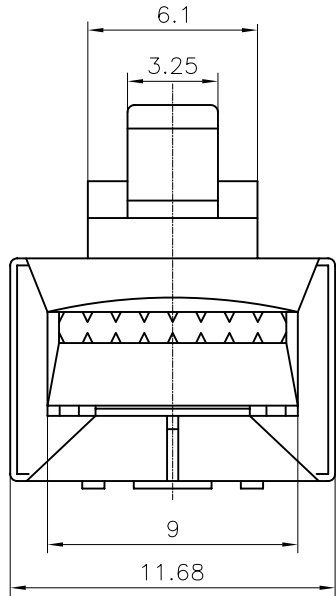
(3)	SHELL	1	Copper alloy	NICKEL PLATING
(2)	BLADE	8	Copper alloy	GOLD PLATING
(1)	HOUSING	1	PC	UL94 V-0 OR 94 V-2
No.	PART NAME	Q'TY	MATERIAL	REMARK

GENERAL TOLERANCE		ANGLE TOLERANCE	
X.	±0.60	X.	±5°
.X	±0.38	.X	±3°
.XX	±0.25	.XX	±2°
DRAWING TYPE		CUSTOMER	
SCALE		1:1	SHEET 1 OF 1
DRAWING NO.		C-DS1123-15-XXXX	

PROJECTION	TITLE
	PLUG 8P8C ROUND WITH SHELL TYPE
UNITS	mm
SHEET SIZE	A4
SERIES	DS1123-15 SERIES

晨翔电子有限公司
CONNFLY CONNFLY ELECTRONIC CO. LTD

REV.	DESCRIPTION	DRAWN	CHECKED	APPROVED
A	NEW RELEASE	YCH 08/23/07'	~	



SPECIFICATION

1. Insulation Resistance:1000MΩ Min.
2. Withstand Voltage:500V AC/Minute.
3. Durability:600 Cycles Min.
4. Contact resistance:50mΩ max.
5. Product Number Code:


DS1123-16 - X X X X X

- X Shell plating
N:Nickel
- X Housing Color
T:Transparent
- X Contact Plating
0:Gold Flash 15:15u''Au
3:3u''Au 30:30u''Au
6:6u''Au
- X No.Of Contacts
8:8p8c
- X Connector Type
P:Plug
- X Series No.
DS1123-16

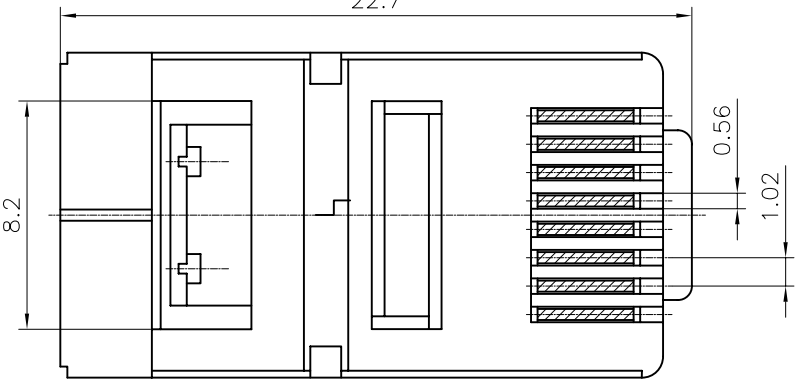
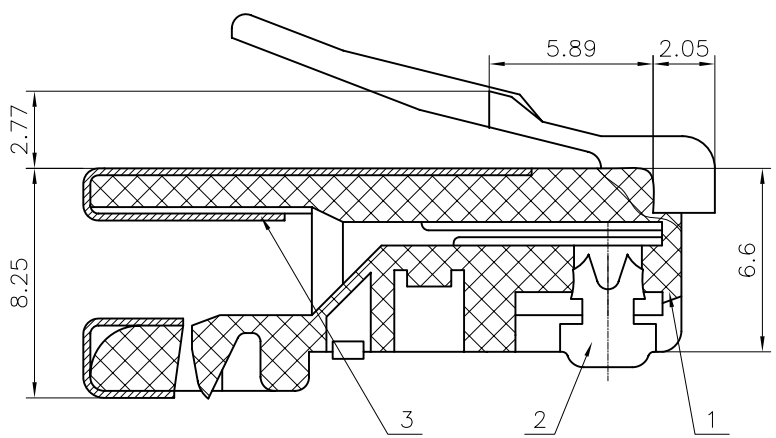
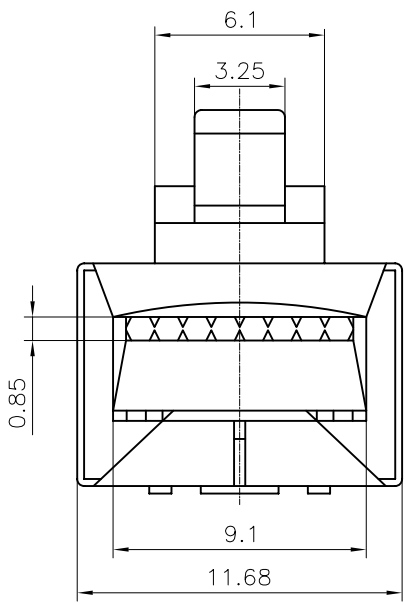
(3)	SHELL	1	Copper alloy	NICKEL PLATING
(2)	BLADE	8	Copper alloy	GOLD PLATING
(1)	HOUSING	1	PC	UL94 V-0 OR 94 V-2
No.	PART NAME	Q'TY	MATERIAL	REMARK

GENERAL TOLERANCE		ANGLE TOLERANCE	
X.	±0.60	X.	±5°
.X	±0.38	.X	±3°
.XX	±0.25	.XX	±2°
DRAWING TYPE		CUSTOMER	
SCALE		1:1	SHEET 1 OF 1
DRAWING NO.		C-DS1123-16-XXXX	

PROJECTION	TITLE
mm	PLUG 8P8C ROUND WITH SHELL TYPE
SHEET SIZE	SERIES DS1123-16 SERIES


晨翔电子有限公司
CONNFLY CONNFLY ELECTRONIC CO. LTD

REV.	DESCRIPTION	DRAWN	CHECKED	APPROVED
A	NEW RELEASE	YCH 08/23/07'	~	



SPECIFICATION

1. Insulation Resistance:1000MΩ Min.
2. Withstand Voltage:500V AC/Minute.
3. Durability:600 Cycles Min.
4. Contact resistance:50mΩ max.
5. Product Number Code:


DS1123-17 - X X X X X

- X Shell plating
N:Nickel
- X Housing Color
T:Transparent
- X Contact Plating
0:Gold Flash 15:15u''Au
3:3u''Au 30:30u''Au
6:6u''Au
- X No.Of Contacts
8:8p8c
- X Connector Type
P:Plug
- X Series No.
DS1123-17

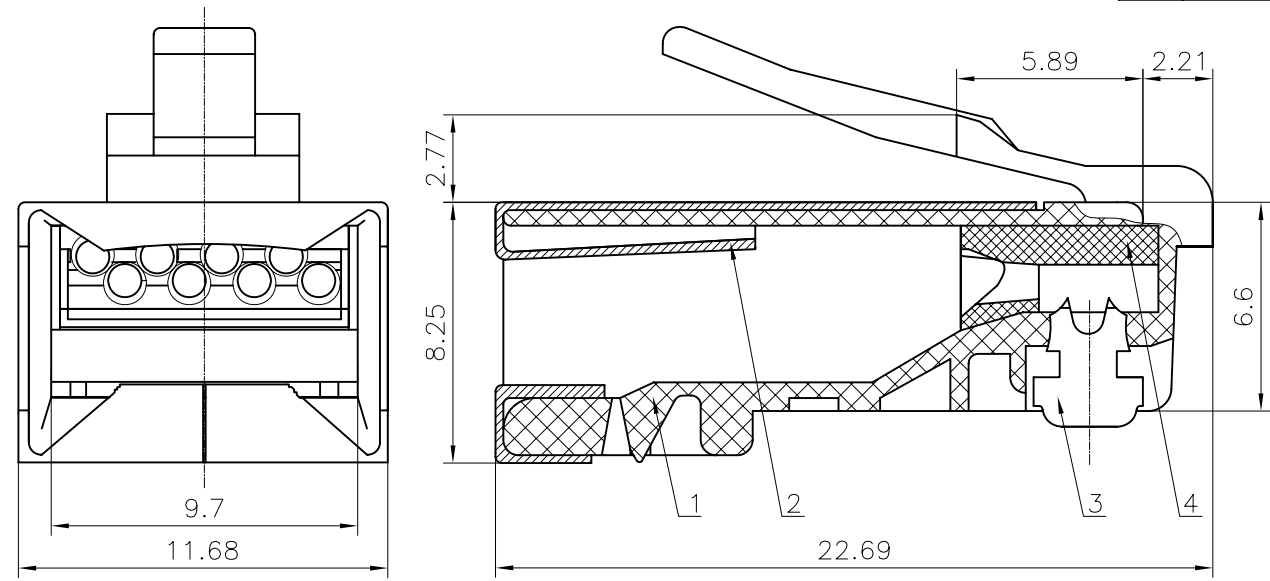
(3)	SHELL	1	Copper alloy	NICKEL PLATING
(2)	BLADE	8	Copper alloy	GOLD PLATING
(1)	HOUSING	1	PC	UL94 V-0 OR 94 V-2
No.	PART NAME	Q'TY	MATERIAL	REMARK

GENERAL TOLERANCE		ANGLE TOLERANCE	
X.	±0.60	X.	±5°
.X	±0.38	.X	±3°
.XX	±0.25	.XX	±2°
DRAWING TYPE		CUSTOMER	
SCALE		1:1	SHEET 1 OF 1
DRAWING NO.		C-DS1123-17-XXXX	

PROJECTION	TITLE
mm	PLUG 8P8C ROUND WITH SHELL TYPE 0.85mm
A4	SERIES DS1123-17 SERIES


晨翔电子有限公司
CONNFLY CONNFLY ELECTRONIC CO. LTD

REV.	DESCRIPTION	DRAWN	CHECKED	APPROVED
A	NEW RELEASE	YCH 08/23/07'	~	

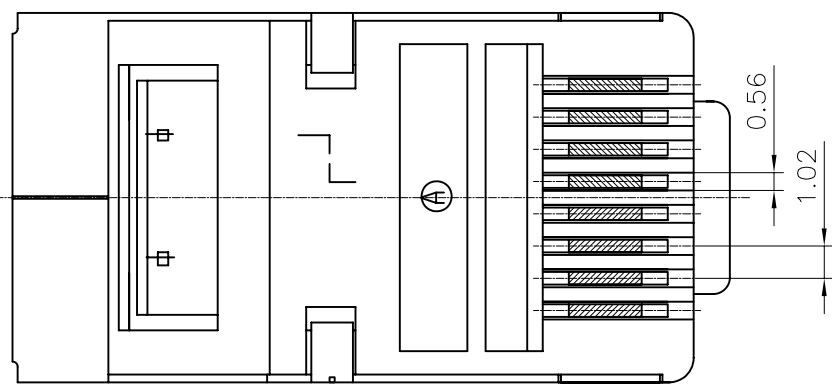


SPECIFICATION

1. Insulation Resistance:1000MΩ Min.
2. Withstand Voltage:500V AC/Minute.
3. Durability:600 Cycles Min.
4. Contact resistance:50mΩ max.
5. Product Number Code:

DS1123-18 - X X X X X

- X Shell Plating
N:Nickel
- X Housing Color
T:Transparent
- X Contact Plating
0:Gold Flash 15:15u''Au
3:3u''Au 30:30u''Au
6:6u''Au
- X No.Of Contacts
8:8p8c
- X Connector Type
P:Plug
- X Series No.
DS1123-18




(4)	COVER	1	PC	UL94 V-0 OR 94 V-2
(3)	BLADE	8	Copper alloy	GOLD PLATING
(2)	SHELL	1	Copper alloy	NICKEL PLATING
(1)	HOUSING	1	PC	UL94 V-0 OR 94 V-2
No.	PART NAME	Q'TY	MATERIAL	REMARK

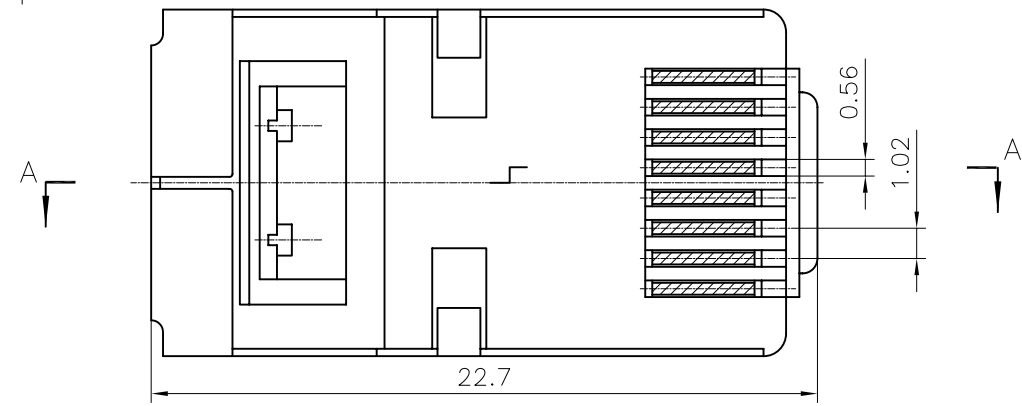
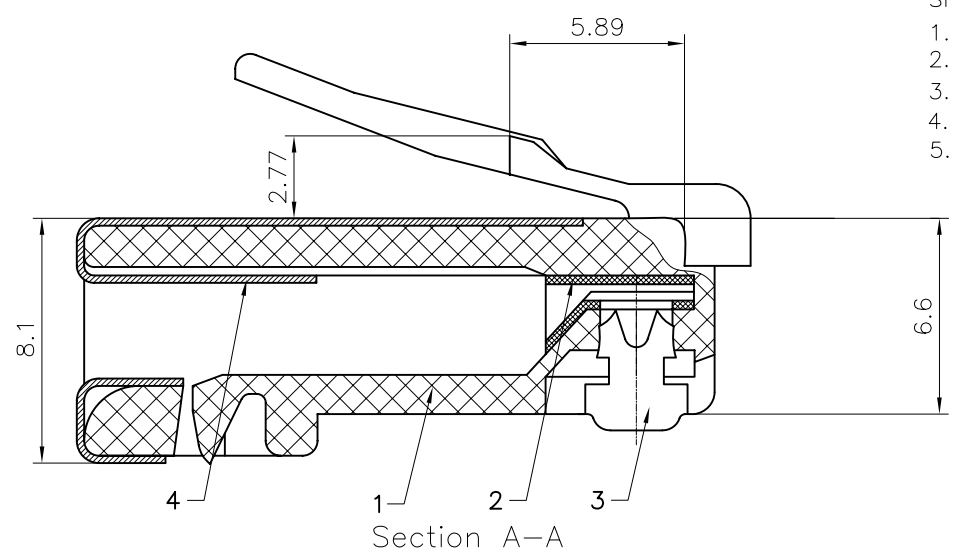
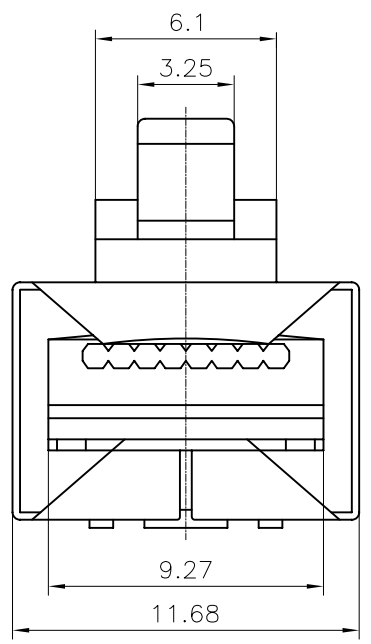
GENERAL TOLERANCE		ANGLE TOLERANCE	
X.	±0.60	X.	±5°
.X	±0.38	.X	±3°
.XX	±0.25	.XX	±2°

DRAWING TYPE	CUSTOMER		
SCALE	1:1	SHEET	1 OF 1
DRAWING NO.	C-DS1123-18-XXXX		

PROJECTION	TITLE
UNITS	PLUG 8P8C WITH COVER & SHELL TYPE
SHEET SIZE	SERIES DS1123-18 SERIES


晨翔电子有限公司
CONNFLY CONNFLY ELECTRONIC CO. LTD

REV.	DESCRIPTION	DRAWN	CHECKED	APPROVED
A	NEW RELEASE	YCH 08/23/07'	~	



SPECIFICATION

1. Insulation Resistance:1000MΩ Min.
2. Withstand Voltage:500V AC/Minute.
3. Durability:600 Cycles Min.
4. Contact resistance:50mΩ max.
5. Product Number Code:

DS1123-19 - X X X X X


- Shell Plating
N:Nickel
- Housing Color
T:Transparent
- Contact Plating
0:Gold Flash 15:15u''Au
3:3u''Au 30:30u''Au
6:6u''Au
- No.Of Contacts
8:8p8c
- Connector Type
P:Plug
- Series No.
DS1123-19

(4)	SHELL	1	Copper alloy	NICKEL PLATING
(3)	BLADE	8	Copper alloy	GOLD PLATING
(2)	COVER	1	PC	UL94 V-0 OR 94 V-2
(1)	HOUSING	1	PC	UL94 V-0 OR 94 V-2
No.	PART NAME	Q'TY	MATERIAL	REMARK

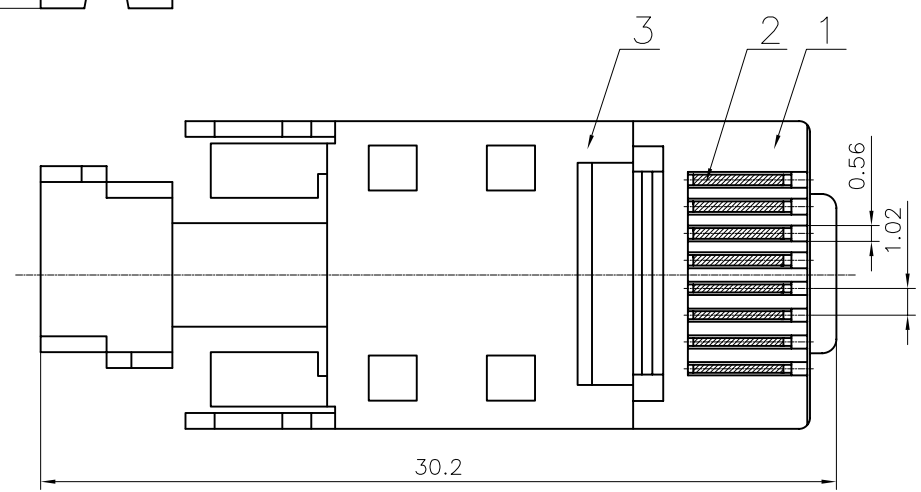
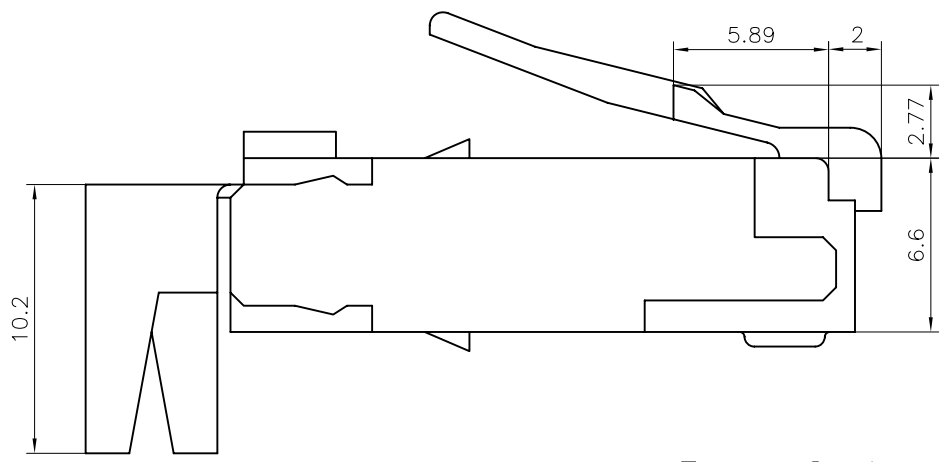
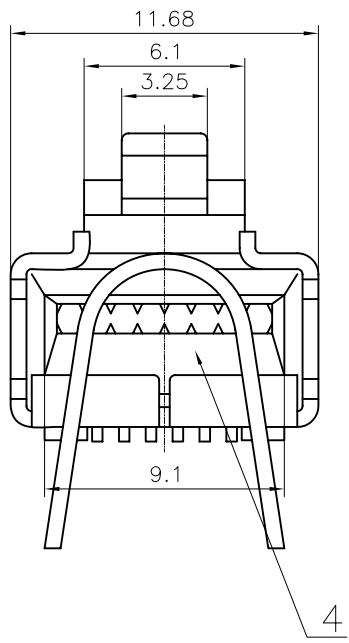
GENERAL TOLERANCE		ANGLE TOLERANCE	
X.	±0.60	X.	±5°
.X	±0.38	.X	±3°
.XX	±0.25	.XX	±2°

DRAWING TYPE	CUSTOMER		
SCALE	1:1	SHEET	1 OF 1
DRAWING NO.	C-DS1123-19-XXXX		

PROJECTION	TITLE
UNITS	PLUG 8P8C ROUND WITH COVER & SHELL TYPE
SHEET SIZE	SERIES DS1123-19 SERIES


晨翔电子有限公司
CONNFLY CONNFLY ELECTRONIC CO. LTD

REV.	DESCRIPTION	DRAWN	CHECKED	APPROVED
A	NEW RELEASE	YCH 08/23/07'	~	



SPECIFICATION

1. Insulation Resistance:1000MΩ Min.
2. Withstand Voltage:500V AC/Minute.
3. Durability:600 Cycles Min.
4. Contact resistance:50mΩ max.
5. Product Number Code:

DS1123-21 - X X X X X


- Shell Plating
N:Nickel
- Housing Color
T:Transparent
- Contact Plating
0:Gold Flash 15:15u''Au
3:3u''Au 30:30u''Au
6:6u''Au
- No.Of Contacts
8:8p8c
- Connector Type
P:Plug
- Series No.
DS1123-21

(4)	COVER	1	PC	UL94 V-0 OR 94 V-2
(3)	SHELL	1	Copper alloy	NICKEL PLATING
(2)	BLADE	8	Copper alloy	GOLD PLATING
(1)	HOUSING	1	PC	UL94 V-0 OR 94 V-2
No.	PART NAME	Q'TY	MATERIAL	REMARK

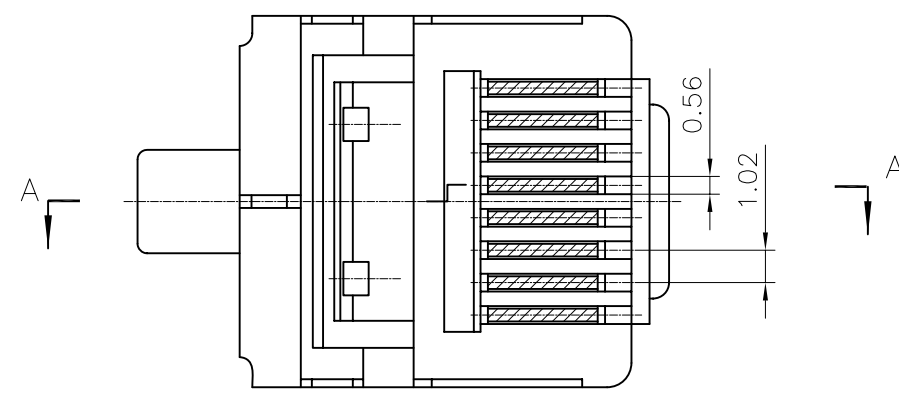
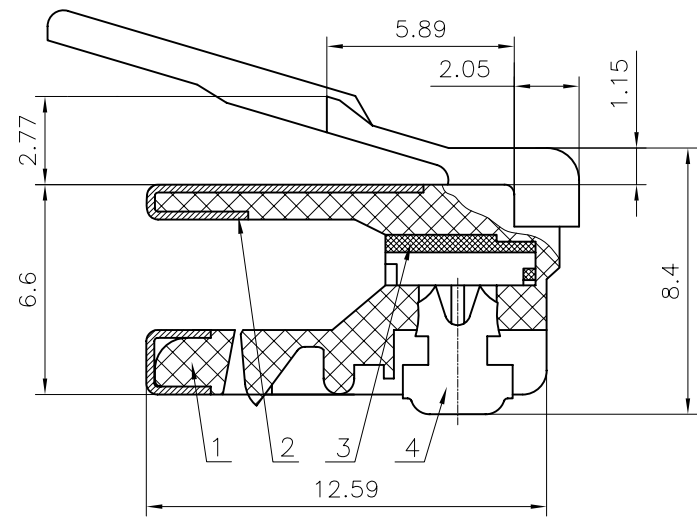
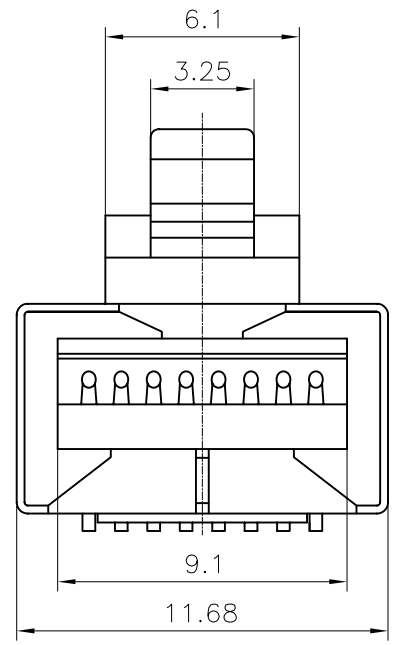
GENERAL TOLERANCE		ANGLE TOLERANCE	
X.	±0.60	X.	±5°
.X	±0.38	.X	±3°
.XX	±0.25	.XX	±2°

DRAWING TYPE	CUSTOMER		
SCALE	1:1	SHEET	1 OF 1
DRAWING NO.	C-DS1123-21-XXXX		

PROJECTION	TITLE
UNITS	PLUG 8P8C SQUARE WITH COVER & SHELL(CLAMP TYPE)
SHEET SIZE	SERIES DS1123-21 SERIES


晨翔电子有限公司
CONNFLY CONNFLY ELECTRONIC CO. LTD

REV.	DESCRIPTION	DRAWN	CHECKED	APPROVED
A	NEW RELEASE	YCH 08/23/07'	~	



SPECIFICATION

1. Insulation Resistance:1000MΩ Min.
2. Withstand Voltage:500V AC/Minute.
3. Durability:600 Cycles Min.
4. Contact resistance:50mΩ max.
5. Product Number Code:

DS1123-22 - X X X X X

- Shell Plating
N:Nickel
- Housing Color
T:Transparent
- Contact Plating
0:Gold Flash 15:15u''Au
3:3u''Au 30:30u''Au
6:6u''Au
- No.Of Contacts
8:8p8c
- Connector Type
P:Plug
- Series No.
DS1123-22

(4)	BLADE	8	Copper alloy	GOLD PLATING
(3)	COVER	1	PC	UL94 V-0 OR 94 V-2
(2)	SHELL	1	Copper alloy	GOLD PLATING
(1)	HOUSING	1	PC	UL94 V-0 OR 94 V-2
No.	PART NAME	Q'TY	MATERIAL	REMARK

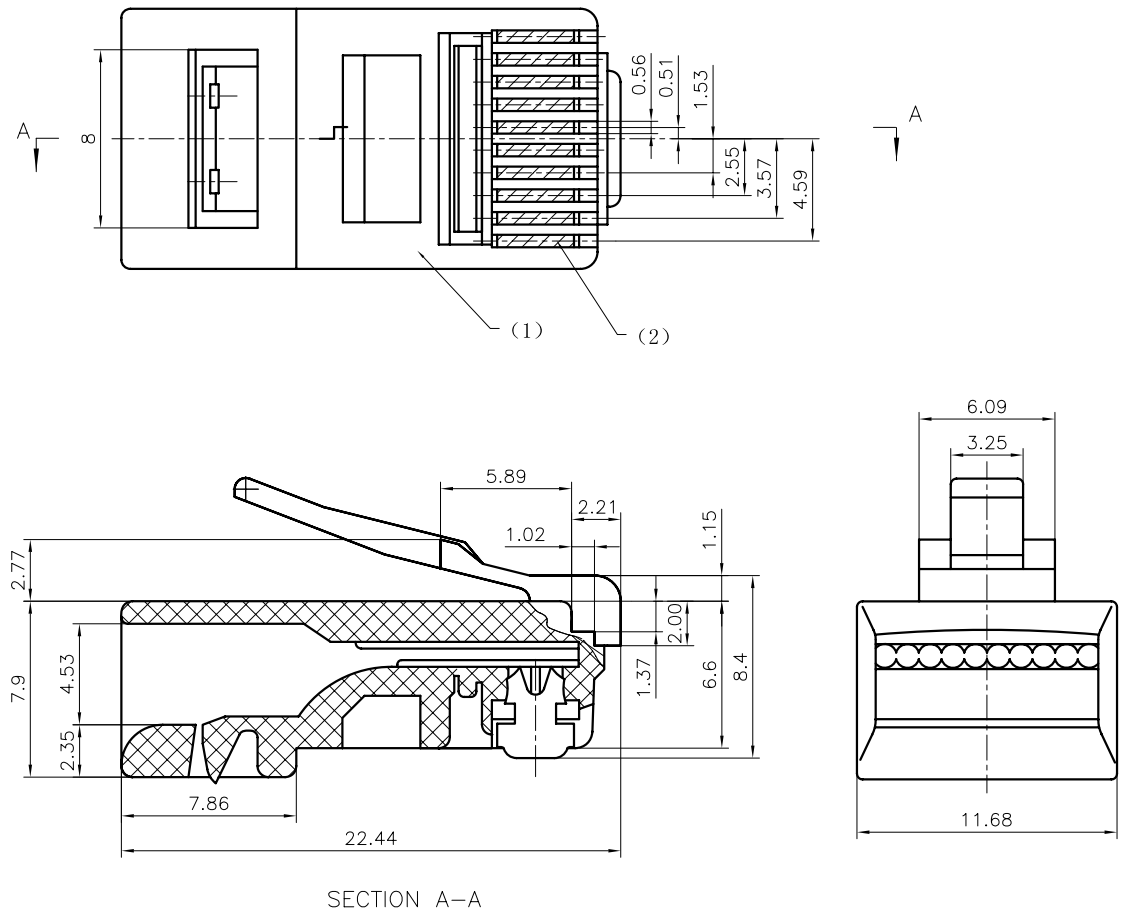
GENERAL TOLERANCE		ANGLE TOLERANCE	
X.	±0.60	X.	±5°
.X	±0.38	.X	±3°
.XX	±0.25	.XX	±2°

DRAWING TYPE	CUSTOMER		
SCALE	1:1	SHEET	1 OF 1
DRAWING NO.	C-DS1123-22-XXXX		

PROJECTION	TITLE
UNITS	PLUG 8P8C SHORT WITH COVER & SHELL TYPE(0.35,0.5,0.6)
SHEET SIZE	SERIES DS1123-22 SERIES


晨翔电子有限公司
CONNFLY CONNFLY ELECTRONIC CO. LTD

REV.	DESCRIPTION	DRAWN	CHECKED	APPROVED
A	NEW RELEASE	LJH 03/01/05'		



SPECIFICATION

1. Insulation Resistance:1000MΩ Min.
2. Withstand Voltage:500V AC/Minute.
3. Durability:600 Cycles Min.
4. Contact resistance:50mΩ max.
5. Product Number Code:

DS1124 - X X X X

- Housing Color
T:Transparent
- Contact Plating
0:Gold Flash 15:15u''Au
3:3u''Au 30:30u''Au
6:6u''Au
- No.Of Contacts
10:10p10c
- Connector Type
P:Plug
- Series No.
DS1124

No.	PART NAME	Q'TY	MATERIAL	REMARK
(2)	BLADE	10	Copper alloy	GOLD PLATING
(1)	HOUSING	1	PC	UL94 V-0 OR 94 V-2

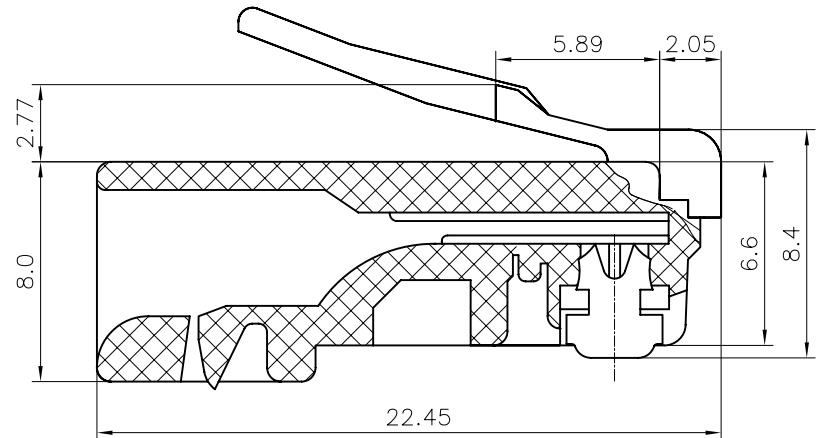
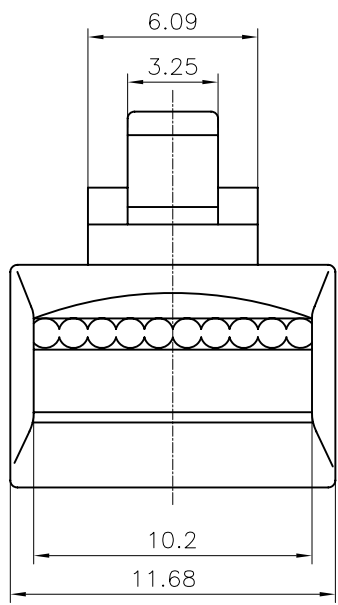
GENERAL TOLERANCE		ANGLE TOLERANCE	
X.	±0.60	X.	±5°
.X	±0.38	.X	±3°
.XX	±0.25	.XX	±2°

DRAWING TYPE	CUSTOMER		
SCALE	1:1	SHEET	1 OF 1
DRAWING NO.	CIDS1124-XXXX		

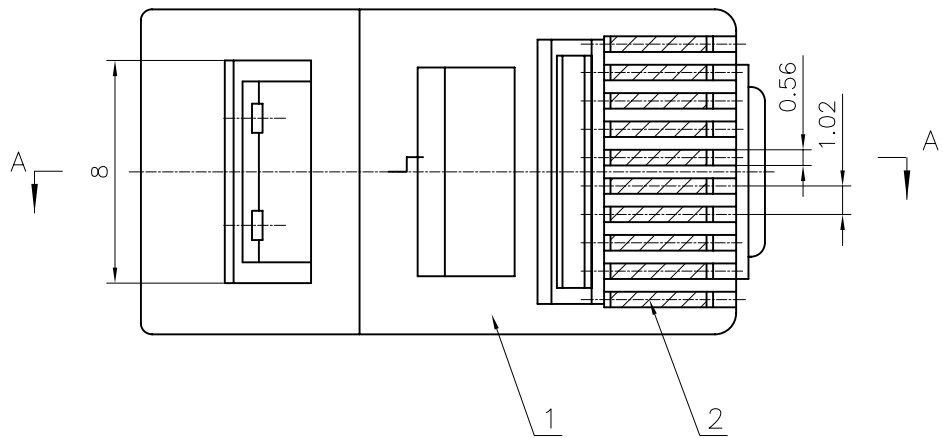
PROJECTION		TITLE	RJ 45 10P Plug
UNITS	mm	SERIES	DS1124 SERIES

晨翔电子有限公司
CONNFLY CONNFLY ELECTRONIC CO. LTD

REV.	DESCRIPTION	DRAWN	CHECKED	APPROVED
A	NEW RELEASE	LJH 03/01/05'	~	



SECTION A-A



SPECIFICATION

1. Insulation Resistance:1000MΩ Min.
2. Withstand Voltage:500V AC/Minute.
3. Durability:600 Cycles Min.
4. Contact resistance:50mΩ max.
5. Product Number Code:

DS1124-01 - X X X X

- Housing Color
T:Transparent
- Contact Plating
0:Gold Flash 15:15u''Au
3:3u''Au 30:30u''Au
6:6u''Au
- No.Of Contacts
10:10p10c
- Connector Type
P:Plug
- Series No.
DS1124-01

No.	PART NAME	Q'TY	MATERIAL	REMARK
(2)	BLADE	10	Copper alloy	GOLD PLATING
(1)	HOUSING	1	PC	UL94 V-0 OR 94 V-2

GENERAL TOLERANCE		ANGLE TOLERANCE	
X.	±0.60	X.	±5°
.X	±0.38	.X	±3°
.XX	±0.25	.XX	±2°

DRAWING TYPE	CUSTOMER		
SCALE	1:1	SHEET	1 OF 1
DRAWING NO.	CIDS1124-01-XXXX		

PROJECTION		TITLE	Plug 10P10C ROUND TYPE
UNITS	mm	SERIES	DS1124-01 SERIES

晨翔电子有限公司
CONNFLY CONNFLY ELECTRONIC CO. LTD