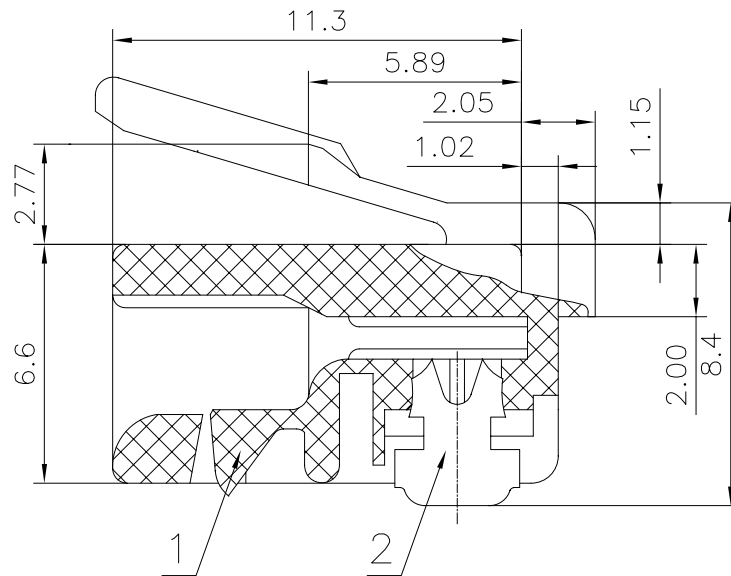
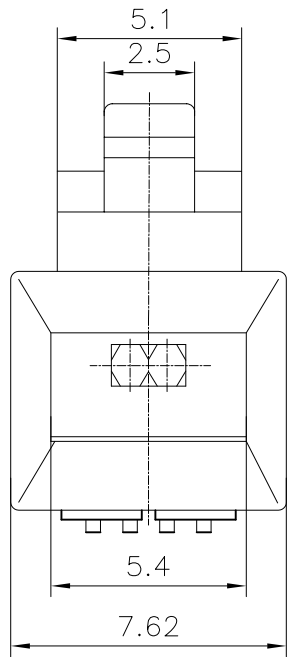
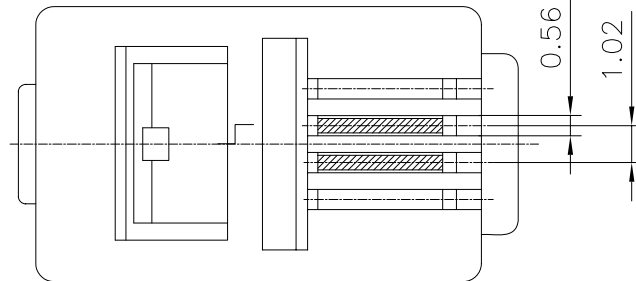


REV.	DESCRIPTION	DRAWN	CHECKED	APPROVED
A	NEW RELEASE	LL 06/28/06'		



SECTION A-A



SPECIFICATION

1. Insulation Resistance:1000MQ Min.
2. Withstand Voltage:500V AC/Minute.
3. Durability:600 Cycles Min.
4. Contact resistance:50mΩ max.
5. Product Number Code:

DS1121-02 - X X X X

- Housing Color  
T:Transparent
- Contact Plating  
0:Gold Flash 15:15u''Au  
3:3u''Au 30:30u''Au  
6:6u''Au
- No.Of Contacts  
2:4p2c
- Connector Type  
P:Plug
- Series No.  
DS1121-02




No.	PART NAME	Q'TY	MATERIAL	REMARK
(2)	BLADE	2	Copper alloy	GOLD PLATING
(1)	HOUSING	1	PC	UL94 V-0 OR 94 V-2

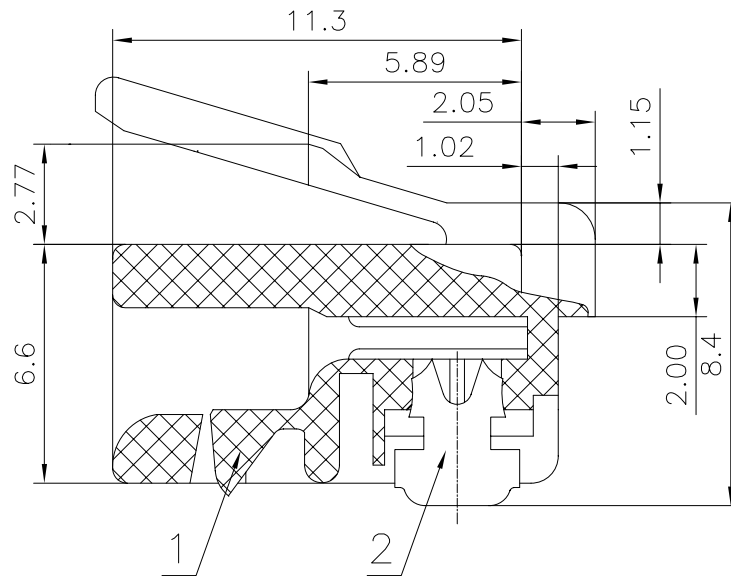
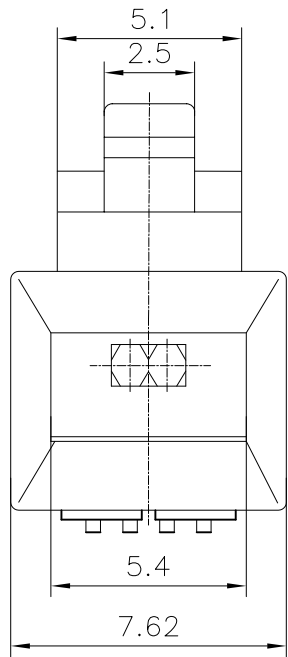
GENERAL TOLERANCE		ANGLE TOLERANCE	
X.	±0.60	X.	±5°
.X	±0.38	.X	±3°
.XX	±0.25	.XX	±2°

DRAWING TYPE	CUSTOMER		
SCALE	1:1	SHEET	1 OF 1
DRAWING NO.	C-DS1121-02-XXXX		

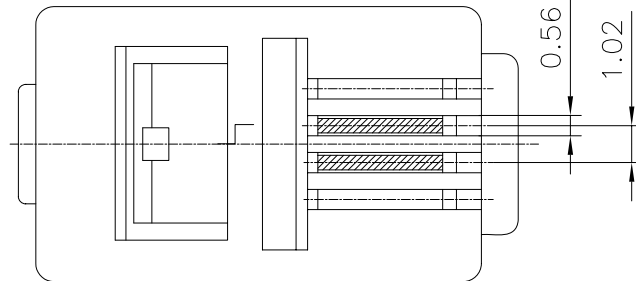
PROJECTION	TITLE
UNITS	Plug 4P2C ROUND TYPE
SHEET SIZE	SERIES DS1121-02 SERIES


**晨翔电子有限公司**  
**CONNFLY CONNFLY ELECTRONIC CO. LTD**

REV.	DESCRIPTION	DRAWN	CHECKED	APPROVED
A	NEW RELEASE	LL 06/28/06'		



SECTION A-A



SPECIFICATION

1. Insulation Resistance:1000MQ Min.
2. Withstand Voltage:500V AC/Minute.
3. Durability:600 Cycles Min.
4. Contact resistance:50mΩ max.
5. Product Number Code:

DS1121-03 - X X X X

- Housing Color  
T:Transparent
- Contact Plating  
0:Gold Flash 15:15u''Au  
3:3u''Au 30:30u''Au  
6:6u''Au
- No.Of Contacts  
2:4p2c
- Connector Type  
P:Plug
- Series No.  
DS1121-03



No.	PART NAME	Q'TY	MATERIAL	REMARK
(2)	BLADE	2	Copper alloy	GOLD PLATING
(1)	HOUSING	1	PC	UL94 V-0 OR 94 V-2

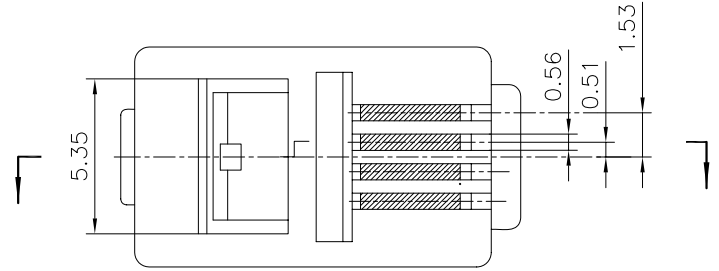
GENERAL TOLERANCE		ANGLE TOLERANCE	
X.	±0.60	X.	±5°
.X	±0.38	.X	±3°
.XX	±0.25	.XX	±2°

DRAWING TYPE	CUSTOMER		
SCALE	1:1	SHEET	1 OF 1
DRAWING NO.	C-DS1121-03-XXXX		

PROJECTION	TITLE
	Plug 4P2C SQUARE TYPE
UNITS	mm
SHEET SIZE	A4
SERIES	DS1121-03 SERIES

晨翔电子有限公司  
CONNFLY CONNFLY ELECTRONIC CO. LTD

REV.	DESCRIPTION	DRAWN	CHECKED	APPROVED
A	NEW RELEASE	LL 06/28/06'		

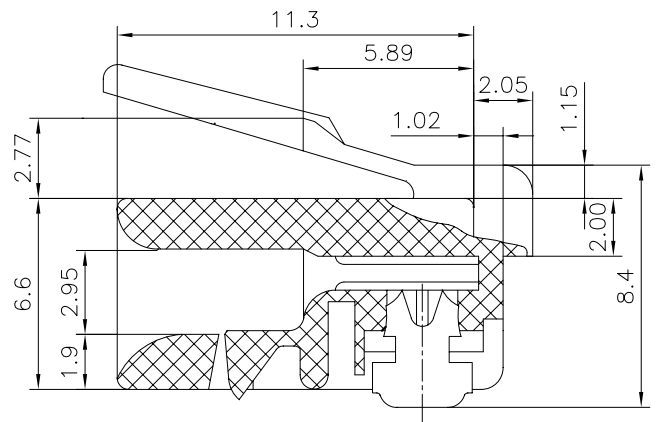


SPECIFICATION

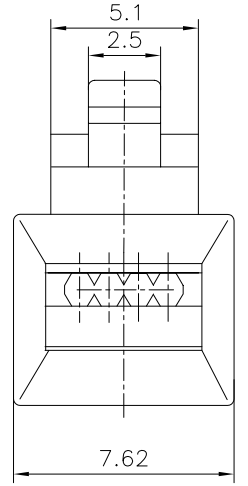
- Insulation Resistance:1000MΩ Min.
- Withstand Voltage:500V AC/Minute.
- Durability:600 Cycles Min.
- Contact resistance:50mΩ max.
- Product Number Code:

DS1121 - X X X X

- X X X X
  - Housing Color
    - T:Transparent
  - Contact Plating
    - 0:Gold Flash 15:15u''Au
    - 3:3u''Au 30:30u''Au
    - 6:6u''Au
  - No.Of Contacts
    - 4:4p4c
  - Connector Type
    - P:Plug
  - Series No.
    - DS1121



SECTION A-A




No.	PART NAME	Q'TY	MATERIAL	REMARK
(2)	BLADE	4	Copper alloy	GOLD PLATING
(1)	HOUSING	1	PC	UL94 V-0 OR 94 V-2

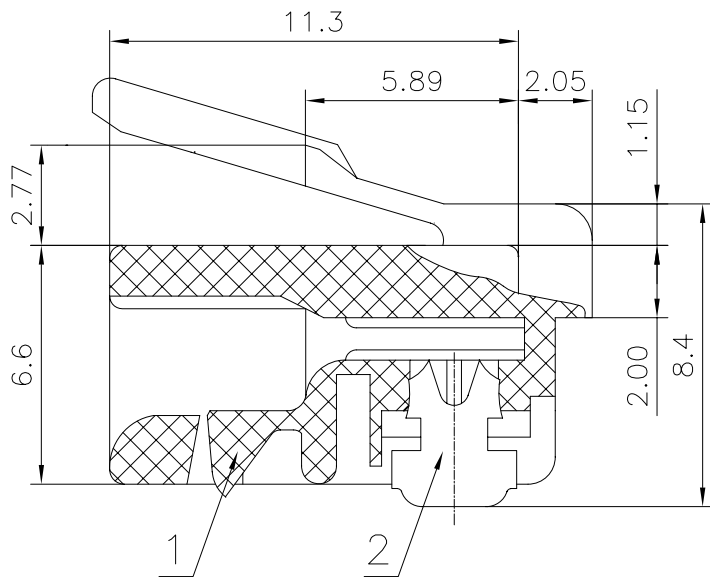
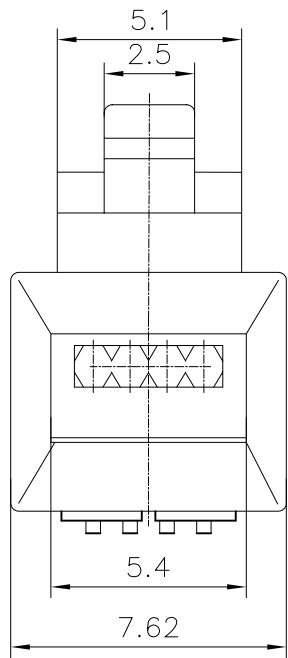
GENERAL TOLERANCE		ANGLE TOLERANCE	
X.	±0.60	X.	±5°
.X	±0.38	.X	±3°
.XX	±0.25	.XX	±2°

DRAWING TYPE	CUSTOMER		
SCALE	1:1	SHEET	1 OF 1
DRAWING NO.	C-DS1121-XXXX		

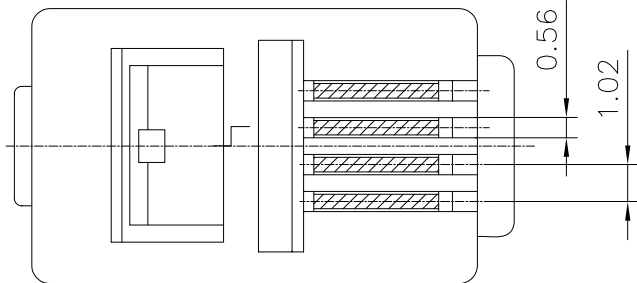
PROJECTION	TITLE
⊕	RJ 45 4P Plug
UNITS	mm
SHEET SIZE	A4
SERIES	DS1121 SERIES


**晨翔电子有限公司**  
**CONNFLY CONNFLY ELECTRONIC CO. LTD**

REV.	DESCRIPTION	DRAWN	CHECKED	APPROVED
A	NEW RELEASE	LL 06/28/06'		



SECTION A-A



SPECIFICATION

1. Insulation Resistance:1000MQ Min.
2. Withstand Voltage:500V AC/Minute.
3. Durability:600 Cycles Min.
4. Contact resistance:50mΩ max.
5. Product Number Code:

DS1121-01 - X X X X

- Housing Color  
T:Transparent
- Contact Plating  
0:Gold Flash 15:15u''Au  
3:3u''Au 30:30u''Au  
6:6u''Au
- No.Of Contacts  
4:4p4c
- Connector Type  
P:Plug
- Series No.  
DS1121-01



No.	PART NAME	Q'TY	MATERIAL	REMARK
(2)	BLADE	4	Copper alloy	GOLD PLATING
(1)	HOUSING	1	PC	UL94 V-0 OR 94 V-2

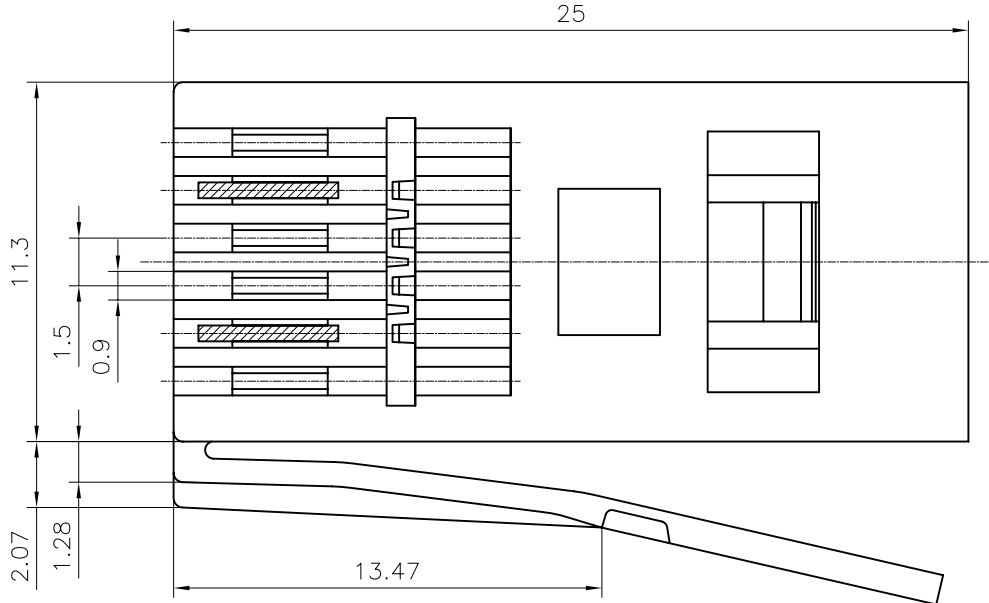
GENERAL TOLERANCE		ANGLE TOLERANCE	
X.	±0.60	X.	±5°
.X	±0.38	.X	±3°
.XX	±0.25	.XX	±2°

DRAWING TYPE	CUSTOMER		
SCALE	1:1	SHEET	1 OF 1
DRAWING NO.	C-DS1121-01-XXXX		

PROJECTION	TITLE
	Plug 4P4C ROUND TYPE
UNITS	mm
SHEET SIZE	A4
SERIES	DS1121-01 SERIES

**晨翔电子有限公司**  
**CONNFLY CONNFLY ELECTRONIC CO. LTD**

REV.	DESCRIPTION	DRAWN	CHECKED	APPROVED
A	NEW RELEASE	YCH 08/23/07'		

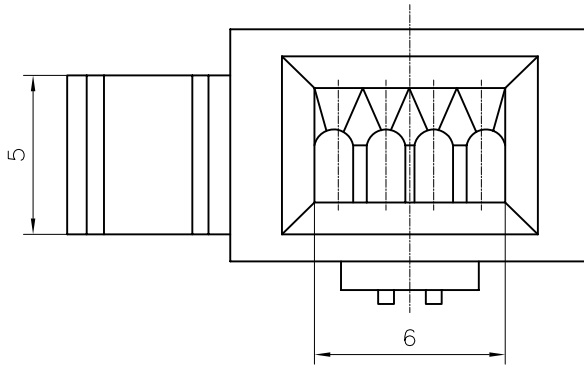
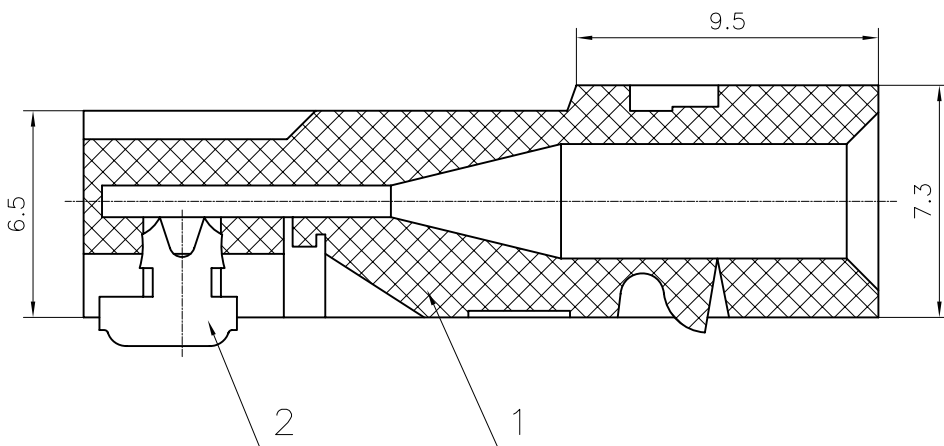


SPECIFICATION

1. Insulation Resistance:1000MΩ Min.
2. Withstand Voltage:500V AC/Minute.
3. Durability:600 Cycles Min.
4. Contact resistance:50mΩ max.
5. Product Number Code:

DS1122-10 - X X X X

- Housing Color  
W:White
- Contact Plating  
0:Gold Flash 15:15u''Au  
3:3u''Au 30:30u''Au  
6:6u''Au
- No.Of Contacts  
2:6p2c
- Connector Type  
P:Plug
- Series No.  
DS1122-10



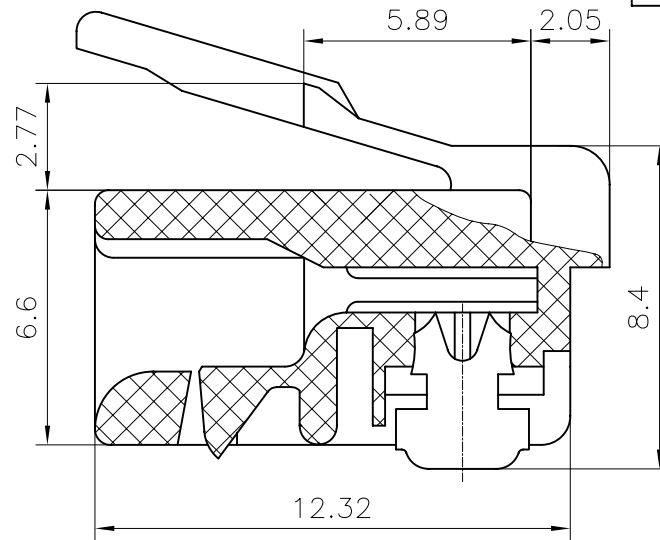
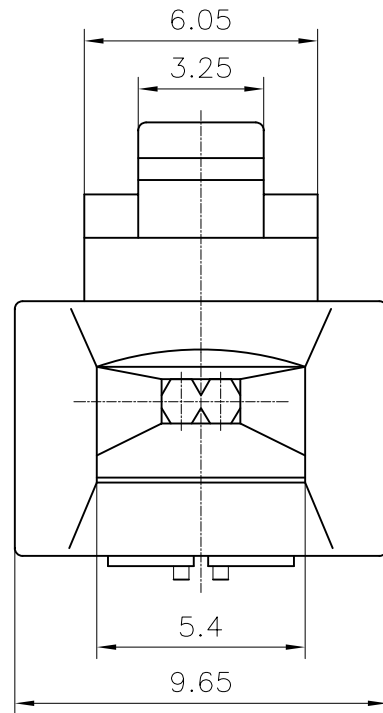
No.	PART NAME	Q'TY	MATERIAL	REMARK
(2)	BLADE	2	Copper alloy	GOLD PLATING
(1)	HOUSING	1	Thermoplastic	UL94 V-0 OR 94 V-2

GENERAL TOLERANCE		ANGLE TOLERANCE	
X.	±0.60	X.	±5'
.X	±0.38	.X	±3'
.XX	±0.25	.XX	±2'

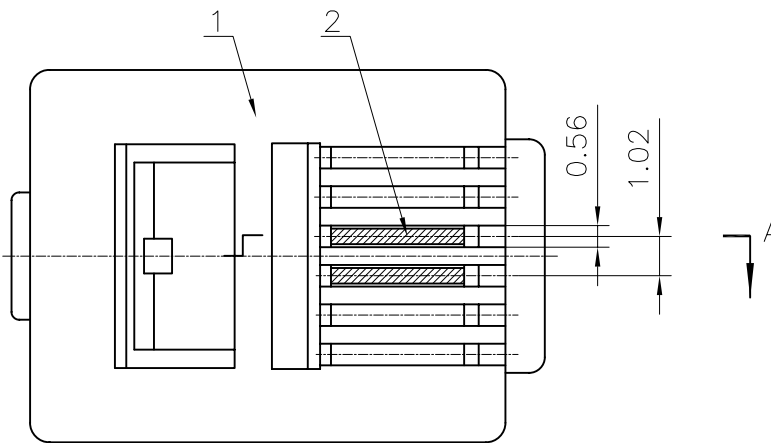
DRAWING TYPE	CUSTOMER		
SCALE	1:1	SHEET	1 OF 1
DRAWING NO.	C-DS1122-10-XXXX		

PROJECTION	TITLE
	Plug 6P2C
UNITS	mm
SHEET SIZE	A4
SERIES	DS1122-10 SERIES

晨翔电子有限公司  
**CONNFLY CONNFLY ELECTRONIC CO. LTD**



SECTION A-A



REV.	DESCRIPTION	DRAWN	CHECKED	APPROVED
A	NEW RELEASE	YCH 08/23/07'		

SPECIFICATION

1. Insulation Resistance:1000MΩ Min.
2. Withstand Voltage:500V AC/Minute.
3. Durability:600 Cycles Min.
4. Contact resistance:50mΩ max.
5. Product Number Code:

DS1122-08 - X X X X

- Housing Color  
T:Transparent
- Contact Plating  
0:Gold Flash 15:15u''Au  
3:3u''Au 30:30u''Au  
6:6u''Au
- No.Of Contacts  
2:6p2c
- Connector Type  
P:Plug
- Series No.  
DS1122-08

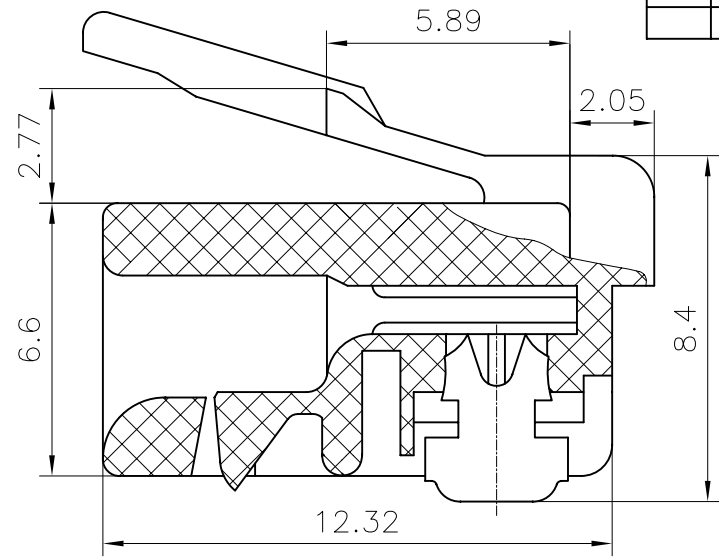
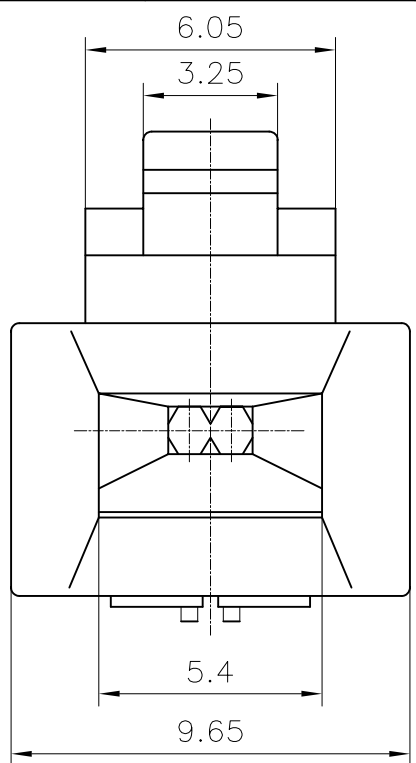
No.	PART NAME	Q'TY	MATERIAL	REMARK
(2)	BLADE	2	Copper alloy	GOLD PLATING
(1)	HOUSING	1	PC	UL94 V-0 OR 94 V-2

GENERAL TOLERANCE		ANGLE TOLERANCE	
X.	±0.60	X.	±5'
.X	±0.38	.X	±3'
.XX	±0.25	.XX	±2'
DRAWING TYPE		CUSTOMER	
SCALE		1:1	SHEET 1 OF 1
DRAWING NO.		C-DS1122-08-XXXX	

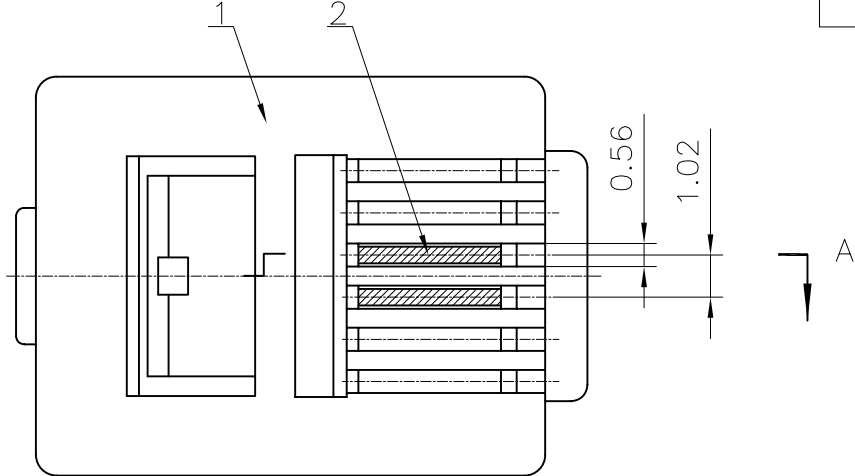
PROJECTION	TITLE
	Plug 6P2C ROUND TYPE
UNITS	mm
SHEET SIZE	A4
SERIES	DS1122-08 SERIES

**晨翔电子有限公司**  
**CONNFLY CONNFLY ELECTRONIC CO. LTD**

REV.	DESCRIPTION	DRAWN	CHECKED	APPROVED
A	NEW RELEASE	YCH 08/23/07'		



SECTION A-A



SPECIFICATION

- Insulation Resistance:1000MΩ Min.
- Withstand Voltage:500V AC/Minute.
- Durability:600 Cycles Min.
- Contact resistance:50mΩ max.
- Product Number Code:  
DS1122-09 - X X X X

- Housing Color  
T:Transparent
- Contact Plating  
0:Gold Flash 15:15u''Au  
3:3u''Au 30:30u''Au  
6:6u''Au
- No.Of Contacts  
2:6p2c
- Connector Type  
P:Plug
- Series No.  
DS1122-09

No.	PART NAME	Q'TY	MATERIAL	REMARK
(2)	BLADE	2	Copper alloy	GOLD PLATING
(1)	HOUSING	1	PC	UL94 V-0 OR 94 V-2

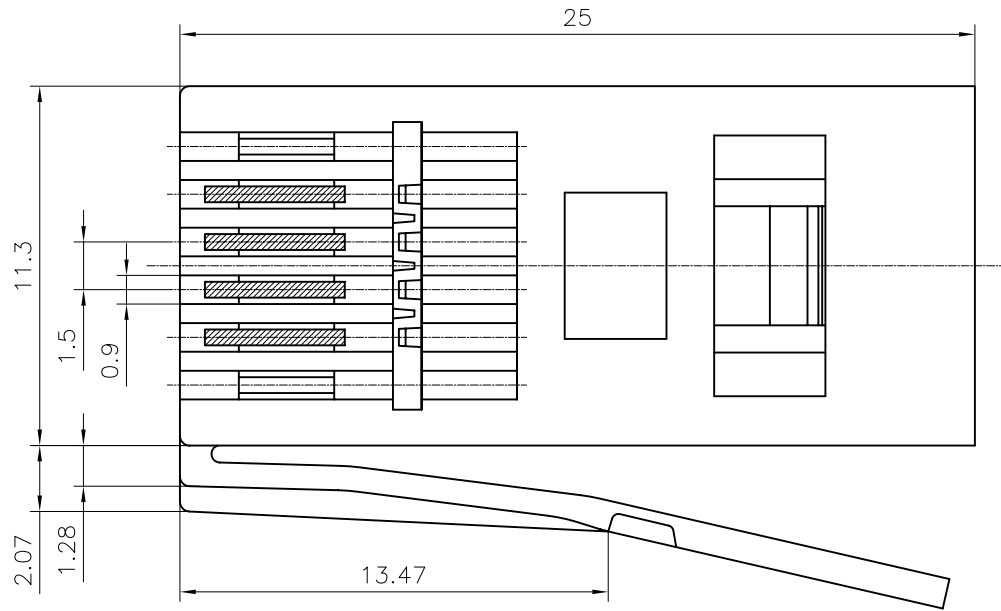
GENERAL TOLERANCE		ANGLE TOLERANCE	
X.	±0.60	X.	±5'
.X	±0.38	.X	±3'
.XX	±0.25	.XX	±2'

DRAWING TYPE	CUSTOMER		
SCALE	1:1	SHEET	1 OF 1
DRAWING NO.	C-DS1122-09-XXXX		

PROJECTION	TITLE
	Plug 6P2C SQUARE TYPE
UNITS	mm
SHEET SIZE	A4
SERIES	DS1122-09 SERIES

晨翔电子有限公司  
CONNFLY CONNFLY ELECTRONIC CO. LTD

REV.	DESCRIPTION	DRAWN	CHECKED	APPROVED
A	NEW RELEASE	YCH 08/23/07'	~	

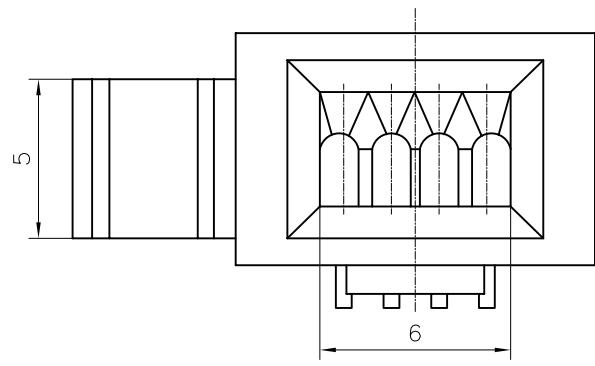
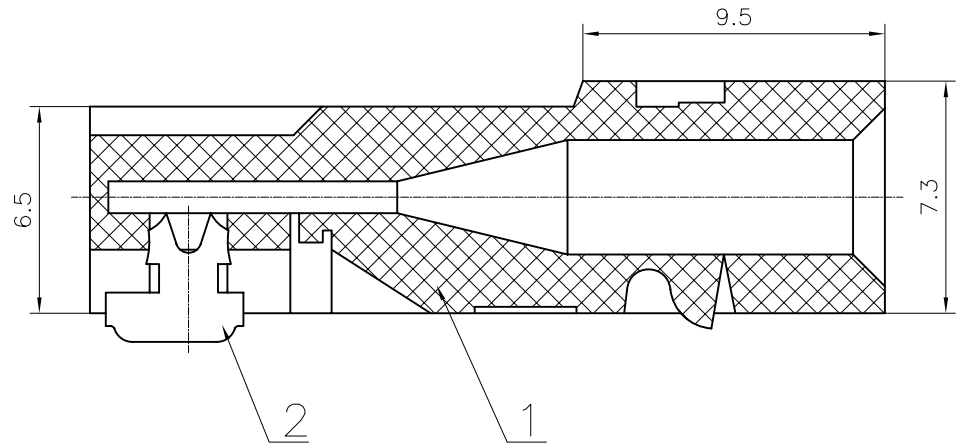


SPECIFICATION

1. Insulation Resistance:1000MΩ Min.
2. Withstand Voltage:500V AC/Minute.
3. Durability:600 Cycles Min.
4. Contact resistance:50mΩ max.
5. Product Number Code:

DS1122-11 - X X X X

- Housing Color  
W:White
- Contact Plating  
0:Gold Flash 15:15u''Au  
3:3u''Au 30:30u''Au  
6:6u''Au
- No.Of Contacts  
4:6p4c
- Connector Type  
P:Plug
- Series No.  
DS1122-11




No.	PART NAME	Q'TY	MATERIAL	REMARK
(2)	BLADE	4	Copper alloy	GOLD PLATING
(1)	HOUSING	1	Thermoplastic	UL94 V-0 OR 94 V-2

GENERAL TOLERANCE		ANGLE TOLERANCE	
X.	±0.60	X.	±5'
.X	±0.38	.X	±3'
.XX	±0.25	.XX	±2'

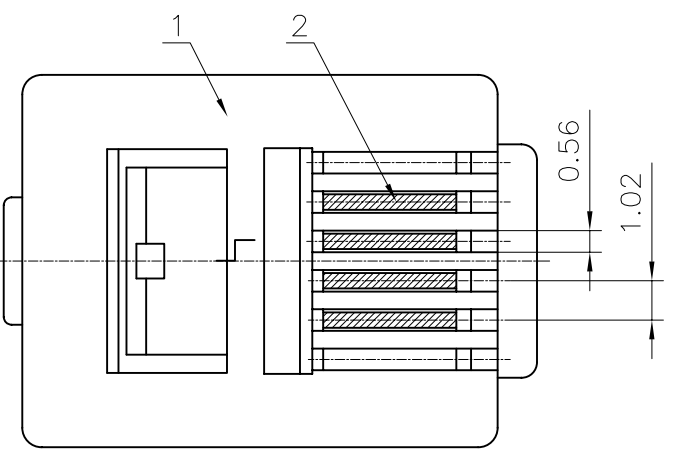
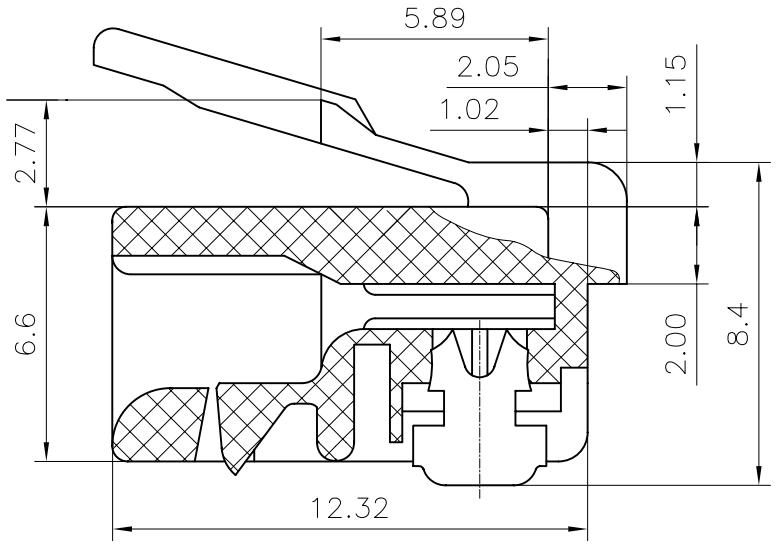
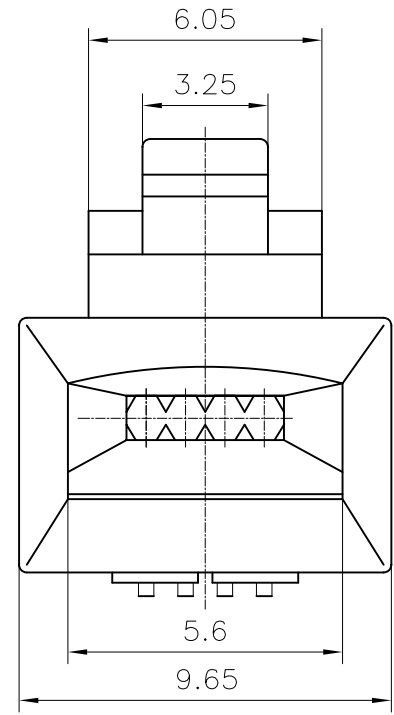
DRAWING TYPE	CUSTOMER		
SCALE	1:1	SHEET	1 OF 1
DRAWING NO.	C-DS1122-11-XXXX		

PROJECTION	TITLE
UNITS	Plug 6P4C
SHEET SIZE	SERIES DS1122-11 SERIES


**晨翔电子有限公司**  
**CONNFLY CONNFLY ELECTRONIC CO. LTD**



REV.	DESCRIPTION	DRAWN	CHECKED	APPROVED
A	NEW RELEASE	YCH 08/23/07'	~	



SPECIFICATION

- Insulation Resistance:1000MΩ Min.
- Withstand Voltage:500V AC/Minute.
- Durability:600 Cycles Min.
- Contact resistance:50mΩ max.
- Product Number Code:  
DS1122-03 - X X X X


- Housing Color  
T:Transparent
- Contact Plating  
0:Gold Flash 15:15u''Au  
3:3u''Au 30:30u''Au  
6:6u''Au
- No.Of Contacts  
4:6p4c
- Connector Type  
P:Plug
- Series No.  
DS1122-03

No.	PART NAME	Q'TY	MATERIAL	REMARK
(2)	BLADE	4	Copper alloy	GOLD PLATING
(1)	HOUSING	1	PC	UL94 V-0 OR 94 V-2

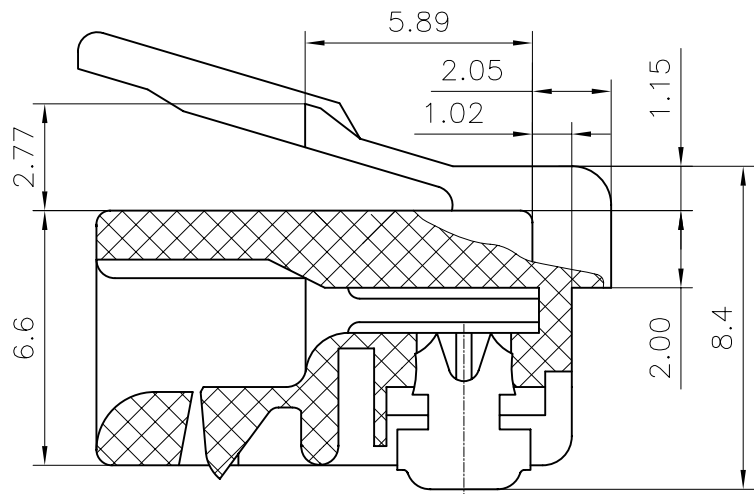
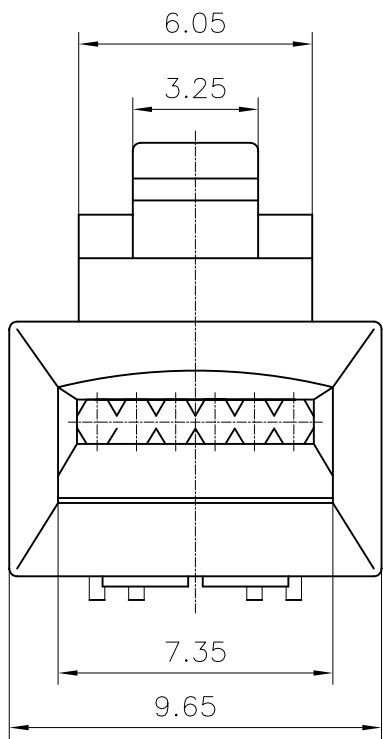
GENERAL TOLERANCE		ANGLE TOLERANCE	
X.	±0.60	X.	±5'
.X	±0.38	.X	±3'
.XX	±0.25	.XX	±2'

DRAWING TYPE	CUSTOMER		
SCALE	1:1	SHEET	1 OF 1
DRAWING NO.	C-DS1122-03-XXXX		

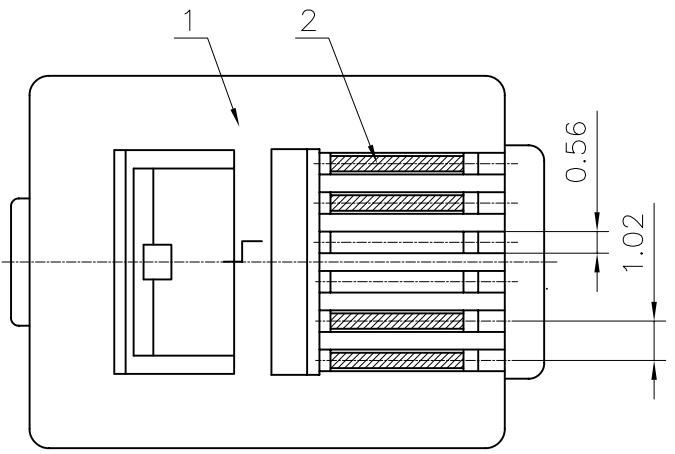
PROJECTION	TITLE
⊕	Plug 6P4C ROUND TYPE
UNITS	mm
SHEET SIZE	A4
SERIES	DS1122-03 SERIES


**晨翔电子有限公司**  
**CONNFLY CONNFLY ELECTRONIC CO. LTD**

REV.	DESCRIPTION	DRAWN	CHECKED	APPROVED
A	NEW RELEASE	YCH 08/23/07'	~	



SECTION A-A



SPECIFICATION

- Insulation Resistance:1000MΩ Min.
- Withstand Voltage:500V AC/Minute.
- Durability:600 Cycles Min.
- Contact resistance:50mΩ max.
- Product Number Code:

DS1122-06 - X X X X

- Housing Color  
T:Transparent
- Contact Plating  
0:Gold Flash 15:15u''Au  
3:3u''Au 30:30u''Au  
6:6u''Au
- No.Of Contacts  
4:6p4c
- Connector Type  
P:Plug
- Series No.  
DS1122-06



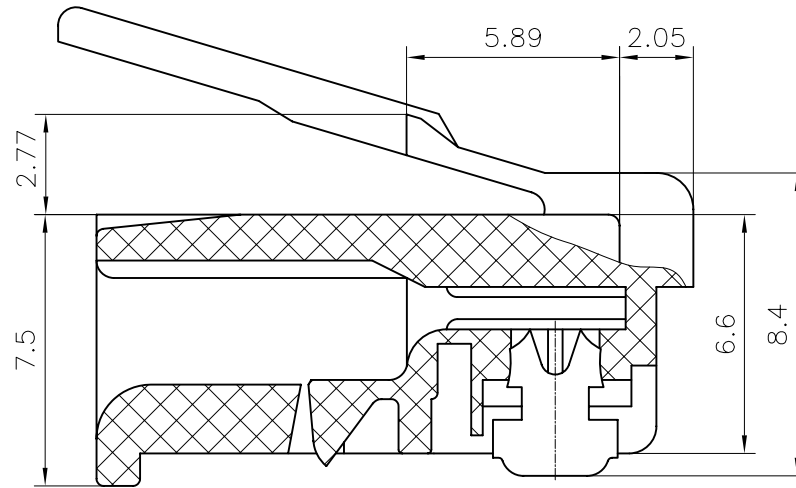
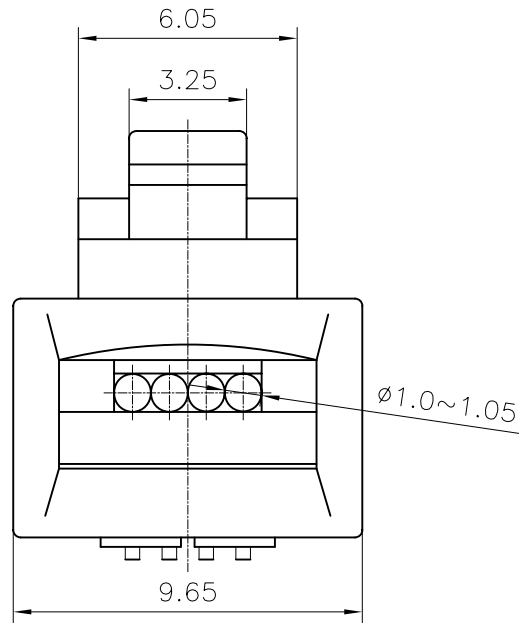
No.	PART NAME	Q'TY	MATERIAL	REMARK
(2)	BLADE	4	Copper alloy	GOLD PLATING
(1)	HOUSING	1	PC	UL94 V-0 OR 94 V-2

GENERAL TOLERANCE		ANGLE TOLERANCE	
X.	±0.60	X.	±5°
.X	±0.38	.X	±3°
.XX	±0.25	.XX	±2°
DRAWING TYPE		CUSTOMER	
SCALE		1:1	SHEET 1 OF 1
DRAWING NO.		C-DS1122-06-XXXX	

PROJECTION	TITLE
⊕	Plug 6P4C (PIN 1,2,5,6) ROUND TYPE
UNITS	mm
SHEET SIZE	A4
SERIES	DS1122-06 SERIES


**晨翔电子有限公司**  
**CONNFLY CONNFLY ELECTRONIC CO. LTD**

REV.	DESCRIPTION	DRAWN	CHECKED	APPROVED
A	NEW RELEASE	YCH 08/23/07'	~	



SECTION A-A

SPECIFICATION

1. Insulation Resistance:1000MΩ Min.
2. Withstand Voltage:500V AC/Minute.
3. Durability:600 Cycles Min.
4. Contact resistance:50mΩ max.
5. Product Number Code:

DS1122-07 - X X X X

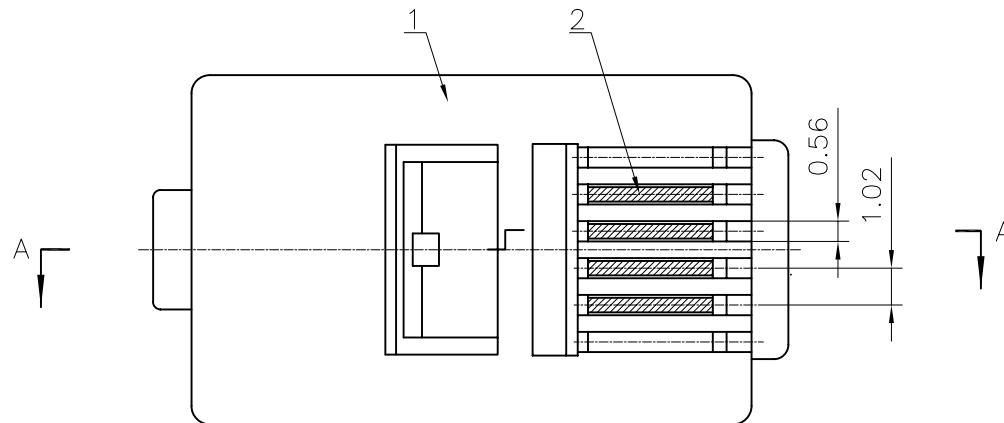
Housing Color  
T:Transparent

Contact Plating  
0:Gold Flash 15:15u''Au  
3:3u''Au 30:30u''Au  
6:6u''Au

No.Of Contacts  
4:6p4c

Connector Type  
P:Plug

Series No.  
DS1122-07




No.	PART NAME	Q'TY	MATERIAL	REMARK
(2)	BLADE	4	Copper alloy	GOLD PLATING
(1)	HOUSING	1	PC	UL94 V-0 OR 94 V-2

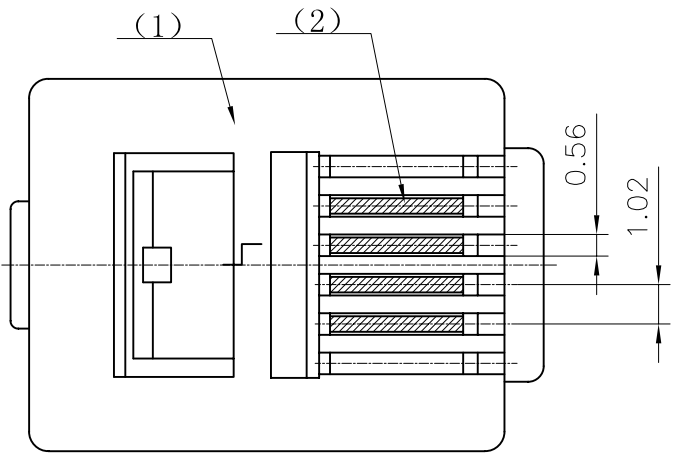
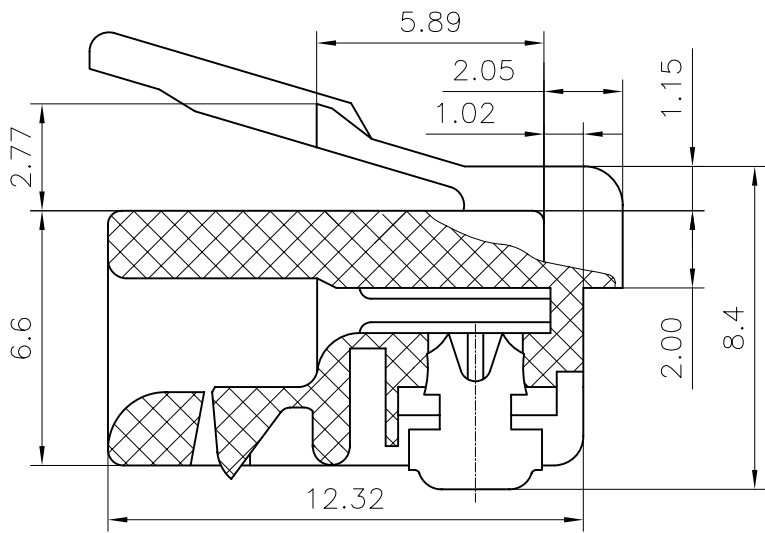
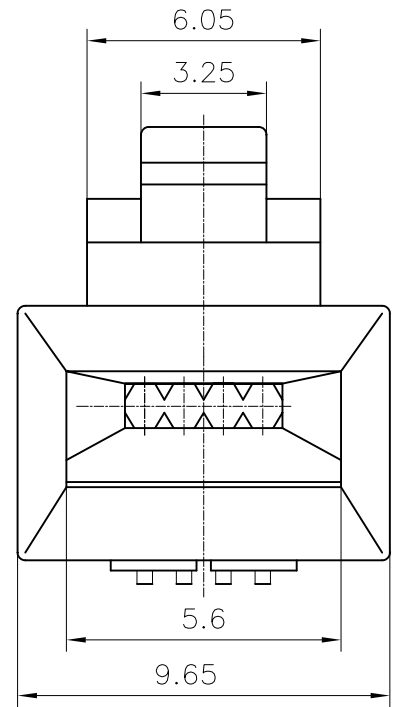
GENERAL TOLERANCE		ANGLE TOLERANCE	
X.	±0.60	X.	±5°
.X	±0.38	.X	±3°
.XX	±0.25	.XX	±2°

DRAWING TYPE	CUSTOMER		
SCALE	1:1	SHEET	1 OF 1
DRAWING NO.	C-DS1122-07-XXXX		

PROJECTION	TITLE
mm	Plug 6P4C ROUND TYPE(Length 16.5mm)
SHEET SIZE	SERIES DS1122-07 SERIES


**晨翔电子有限公司**  
**CONNFLY CONNFLY ELECTRONIC CO. LTD**

REV.	DESCRIPTION	DRAWN	CHECKED	APPROVED
A	NEW RELEASE	YCH 08/23/07'	~	



SPECIFICATION

1. Insulation Resistance:1000MΩ Min.
2. Withstand Voltage:500V AC/Minute.
3. Durability:600 Cycles Min.
4. Contact resistance:50mΩ max.
5. Product Number Code:

DS1122-04 - X X X X

- Housing Color  
T:Transparent
- Contact Plating  
0:Gold Flash 15:15u''Au  
3:3u''Au 30:30u''Au  
6:6u''Au
- No.Of Contacts  
4:6p4c
- Connector Type  
P:Plug
- Series No.  
DS1122-04

No.	PART NAME	Q'TY	MATERIAL	REMARK
(2)	BLADE	4	Copper alloy	GOLD PLATING
(1)	HOUSING	1	PC	UL94 V-0 OR 94 V-2

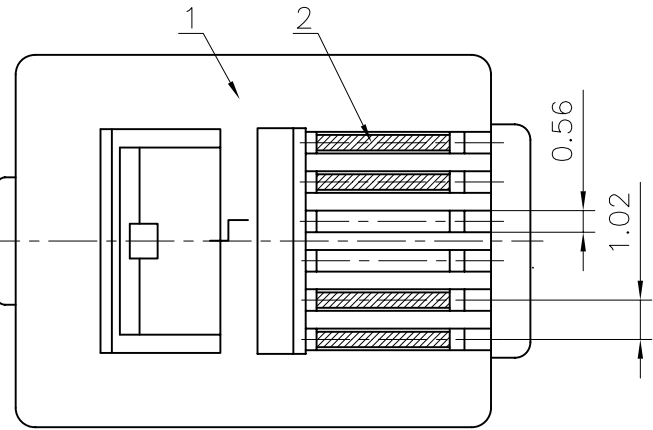
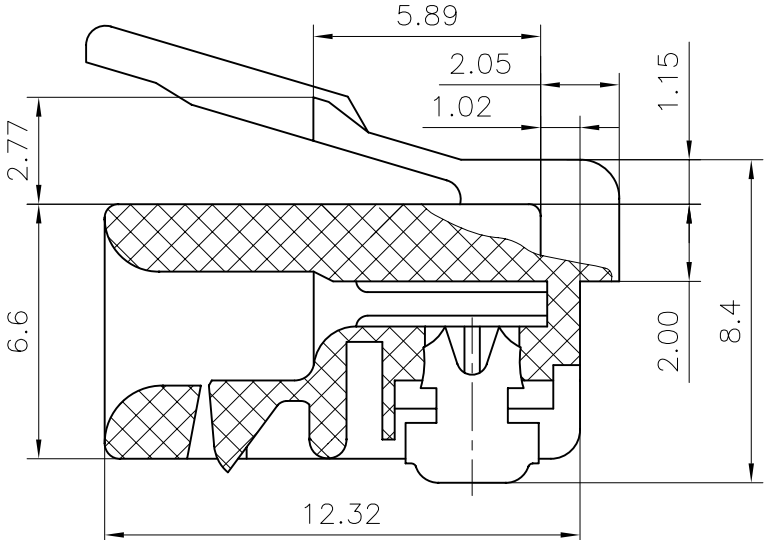
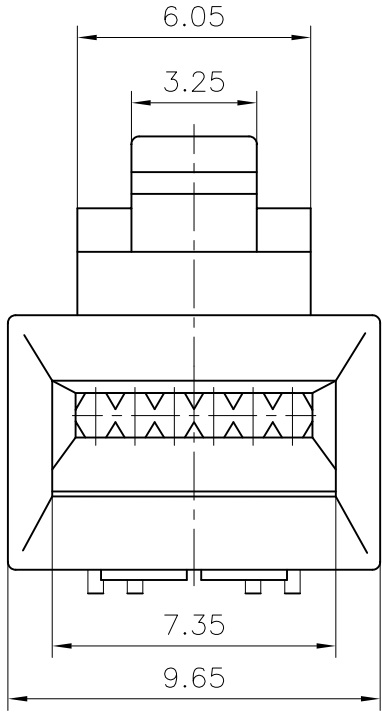
GENERAL TOLERANCE		ANGLE TOLERANCE	
X.	±0.60	X.	±5'
.X	±0.38	.X	±3'
.XX	±0.25	.XX	±2'

DRAWING TYPE	CUSTOMER	
SCALE	1:1	SHEET 1 OF 1
DRAWING NO.	C-DS1122-04-XXXX	

PROJECTION	TITLE
⊕	Plug 6P4C SQUARE TYPE
UNITS	mm
SHEET SIZE	A4
SERIES	DS1122-04 SERIES


**晨翔电子有限公司**  
**CONNFLY CONNFLY ELECTRONIC CO. LTD**

REV.	DESCRIPTION	DRAWN	CHECKED	APPROVED
A	NEW RELEASE	LJH 03/01/06'		



SPECIFICATION

- Insulation Resistance:1000MΩ Min.
- Withstand Voltage:500V AC/Minute.
- Durability:600 Cycles Min.
- Contact resistance:50mΩ max.
- Product Number Code:  
DS1122-05 - X X X X

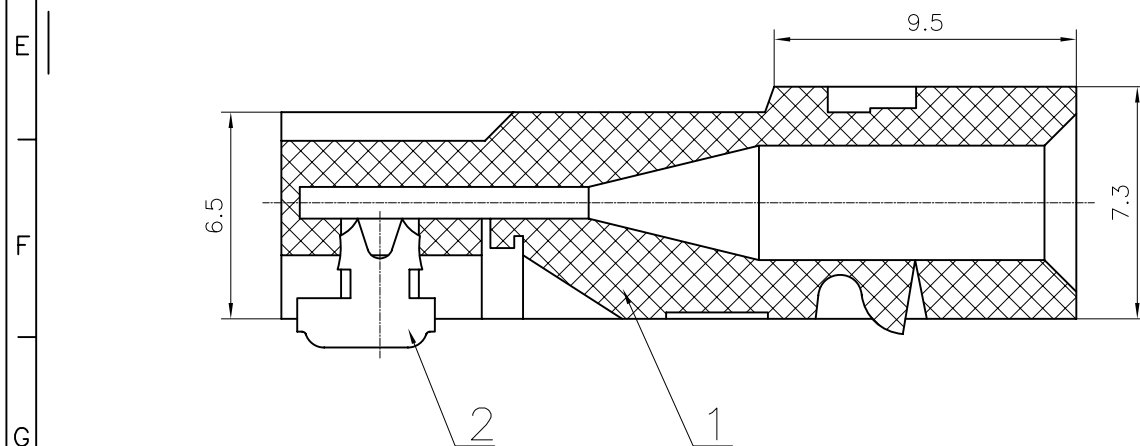
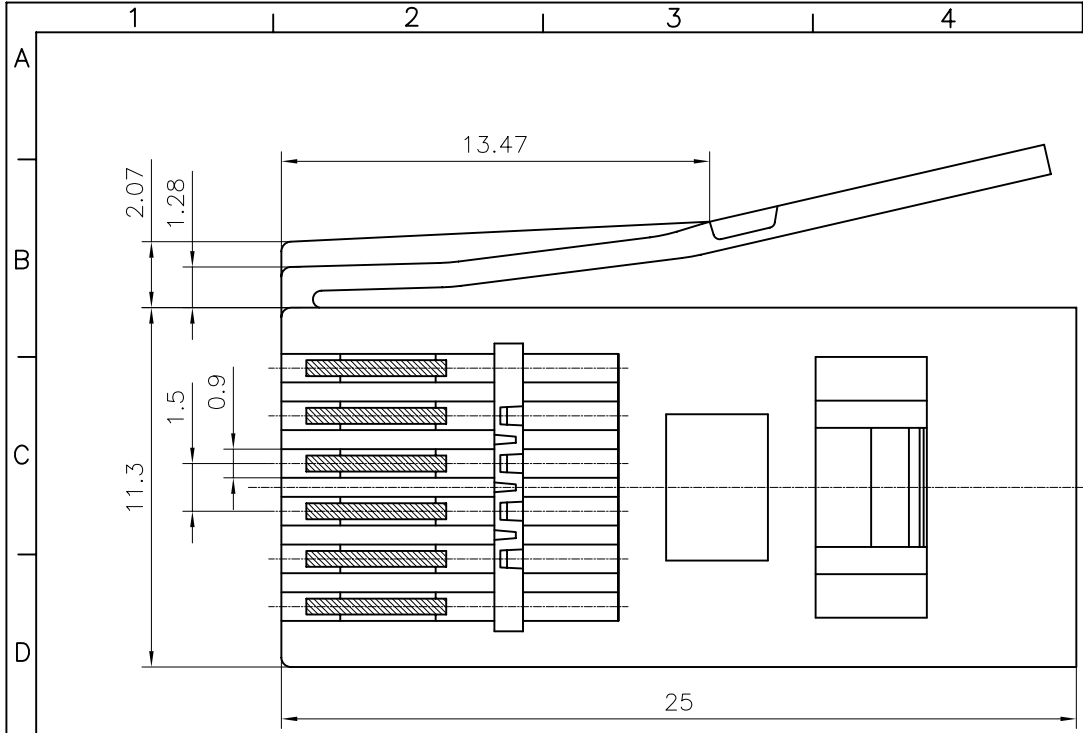
- Housing Color  
T:Transparent
- Contact Plating  
0:Gold Flash 15:15u''Au  
3:3u''Au 30:30u''Au  
6:6u''Au
- No.Of Contacts  
4:6p4c
- Connector Type  
P:Plug
- Series No.  
DS1122-05

No.	PART NAME	Q'TY	MATERIAL	REMARK
(2)	BLADE	4	Copper alloy	GOLD PLATING
(1)	HOUSING	1	PC	UL94 V-0 OR 94 V-2

GENERAL TOLERANCE		ANGLE TOLERANCE	
X.	±0.60	X.	±5°
.X	±0.38	.X	±3°
.XX	±0.25	.XX	±2°
DRAWING TYPE		CUSTOMER	
SCALE		1:1	SHEET 1 OF 1
DRAWING NO.		C-DS1122-05-XXXX	

PROJECTION	TITLE
mm	PLUG 6P4C(PIN 1,2,5,6) SQUARE TYPE
A4	SERIES DS1122-05 SERIES


**晨翔电子有限公司**  
**CONNFLY CONNFLY ELECTRONIC CO. LTD**



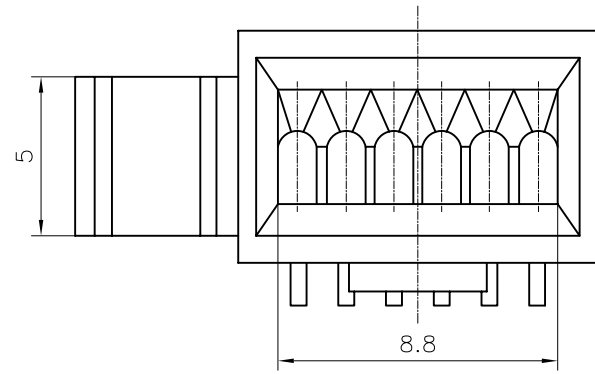
REV.	DESCRIPTION	DRAWN	CHECKED	APPROVED
A	NEW RELEASE	YCH 08/23/07'		

SPECIFICATION

1. Insulation Resistance:1000MΩ Min.
2. Withstand Voltage:500V AC/Minute.
3. Durability:600 Cycles Min.
4. Contact resistance:50mΩ max.
5. Product Number Code:

DS1122-12 - X X X X

- Housing Color  
W:White
- Contact Plating  
0:Gold Flash 15:15u''Au  
3:3u''Au 30:30u''Au  
6:6u''Au
- No.Of Contacts  
6:6p6c
- Connector Type  
P:Plug
- Series No.  
DS1122-12



No.	PART NAME	Q'TY	MATERIAL	REMARK
(2)	BLADE	6	Copper alloy	GOLD PLATING
(1)	HOUSING	1	Thermoplastic	UL94 V-0 OR 94 V-2

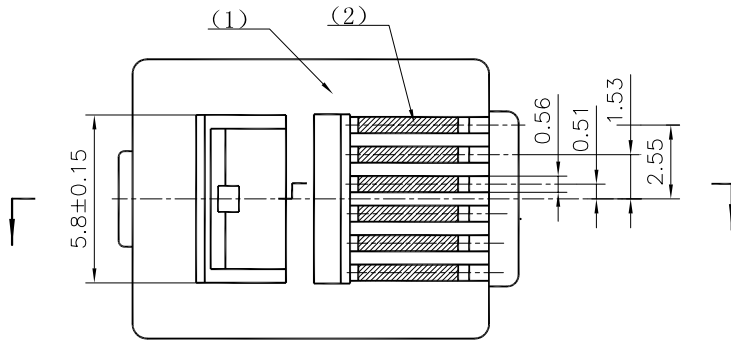
GENERAL TOLERANCE		ANGLE TOLERANCE	
X.	±0.60	X.	±5'
.X	±0.38	.X	±3'
.XX	±0.25	.XX	±2'

DRAWING TYPE	CUSTOMER		
SCALE	1:1	SHEET	1 OF 1
DRAWING NO.	C-DS1122-12-XXXX		

PROJECTION	TITLE
	Plug 6P6C
UNITS	mm
SHEET SIZE	A4
SERIES	DS1122-12 SERIES

晨翔电子有限公司  
CONNFLY CONNFLY ELECTRONIC CO. LTD

REV.	DESCRIPTION	DRAWN	CHECKED	APPROVED
A	NEW RELEASE	LJH 03/01/06'		

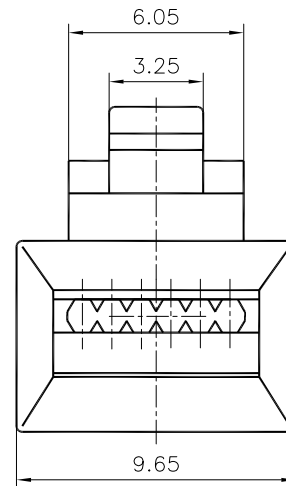
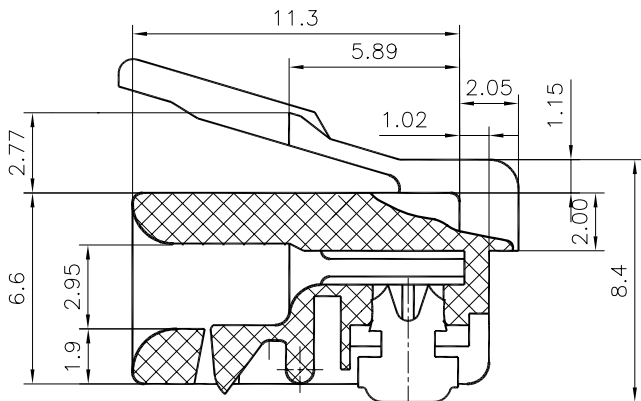


**SPECIFICATION**

1. Insulation Resistance: 1000MΩ Min.
2. Withstand Voltage: 500V AC/Minute.
3. Durability: 600 Cycles Min.
4. Contact resistance: 50mΩ max.
5. Product Number Code:

DS1122 - X X X X

- Housing Color  
T: Transparent
- Contact Plating  
0: Gold Flash 15:15u''Au  
3: 3u''Au 30: 30u''Au  
6: 6u''Au
- No. Of Contacts  
6: 6p6c
- Connector Type  
P: Plug
- Series No.  
DS1122



SECTION A-A

No.	PART NAME	Q'TY	MATERIAL	REMARK
(2)	BLADE	6	Copper alloy	GOLD PLATING
(1)	HOUSING	1	PC	UL94 V-0 OR 94 V-2

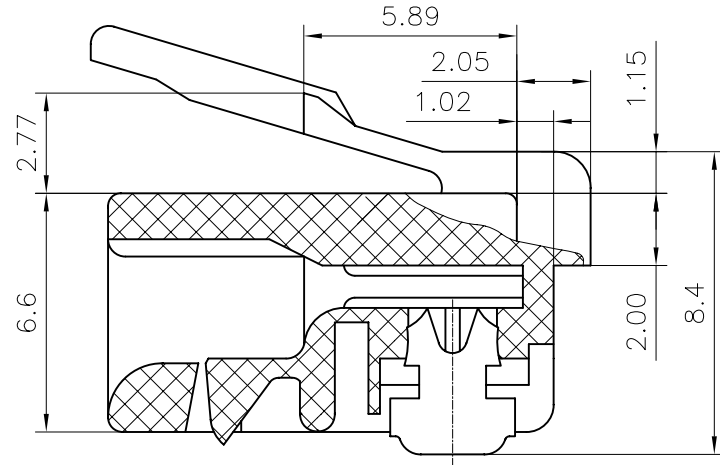
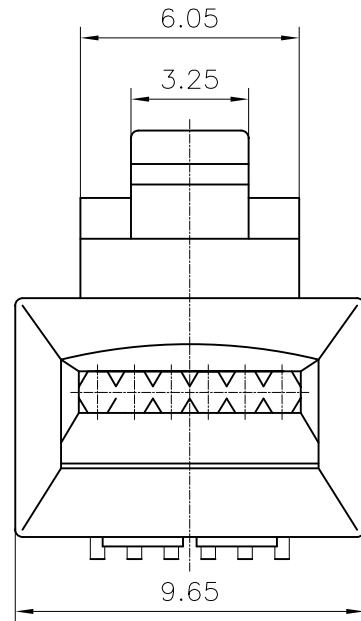
GENERAL TOLERANCE		ANGLE TOLERANCE	
X.	$\pm 0.60$	X.	$\pm 5^\circ$
.X	$\pm 0.38$	.X	$\pm 3^\circ$
.XX	$\pm 0.25$	.XX	$\pm 2^\circ$

DRAWING TYPE	CUSTOMER		
SCALE	1:1	SHEET	1 OF 1
DRAWING NO.	C-DS1122-XXXX		

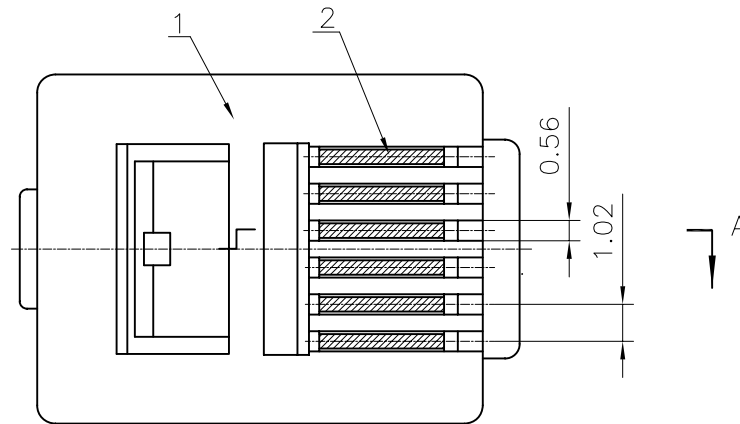
PROJECTION		TITLE	RJ45 6P Plug	
UNITS	mm	SERIES	DS1122 SERIES	
SHEET SIZE	A4			

**晨翔电子有限公司**  
**CONNFLY CONNFLY ELECTRONIC CO. LTD**

REV.	DESCRIPTION	DRAWN	CHECKED	APPROVED
A	NEW RELEASE	YCH 08/23/07'		



SECTION A-A



SPECIFICATION

1. Insulation Resistance:1000MΩ Min.
2. Withstand Voltage:500V AC/Minute.
3. Durability:600 Cycles Min.
4. Contact resistance:50mΩ max.
5. Product Number Code:

DS1122-01 - X X X X

Housing Color  
T:Transparent

Contact Plating  
0:Gold Flash 15:15u''Au  
3:3u''Au 30:30u''Au  
6:6u''Au

No.Of Contacts  
6:6p6c

Connector Type  
P:Plug

Series No.  
DS1122-01

No.	PART NAME	Q'TY	MATERIAL	REMARK
(2)	BLADE	6	Copper alloy	GOLD PLATING
(1)	HOUSING	1	PC	UL94 V-0 OR 94 V-2

GENERAL TOLERANCE		ANGLE TOLERANCE	
X.	±0.60	X.	±5°
.X	±0.38	.X	±3°
.XX	±0.25	.XX	±2°

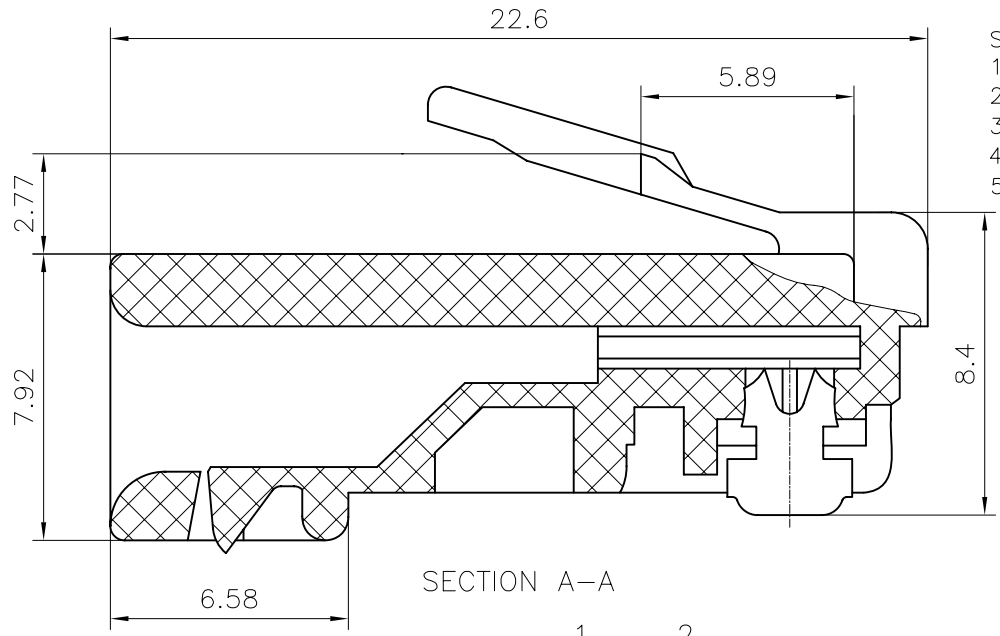
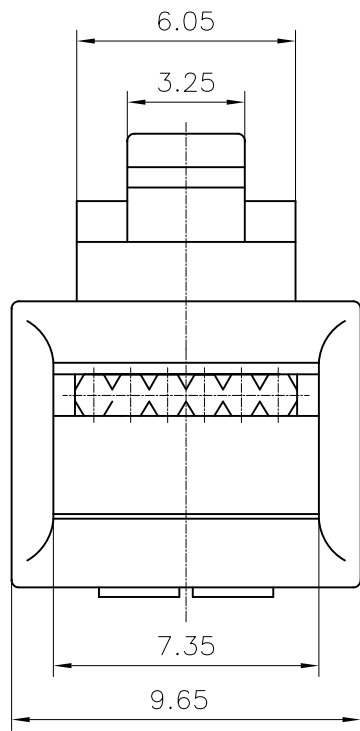
DRAWING TYPE	CUSTOMER
SCALE	1:1 SHEET 1 OF 1
DRAWING NO.	C-DS1122-01-XXXX

PROJECTION	TITLE
	Plug 6P6C ROUND TYPE
UNITS	mm
SHEET SIZE	A4
SERIES	DS1122-01 SERIES

晨翔电子有限公司  
CONNFLY CONNFLY ELECTRONIC CO. LTD



REV.	DESCRIPTION	DRAWN	CHECKED	APPROVED
A	NEW RELEASE	YCH 08/23/07'		

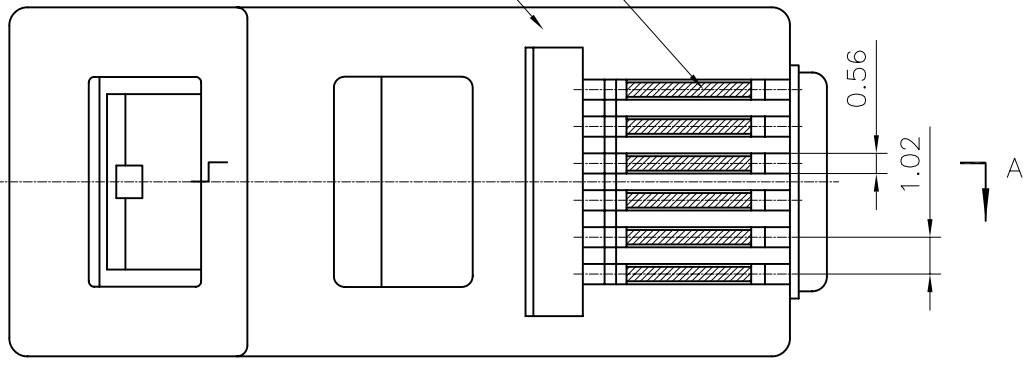


SPECIFICATION

1. Insulation Resistance:1000MΩ Min.
2. Withstand Voltage:500V AC/Minute.
3. Durability:600 Cycles Min.
4. Contact resistance:50mΩ max.
5. Product Number Code:

DS1122-02 - X X X X

- Housing Color  
T:Transparent
- Contact Plating  
0:Gold Flash 15:15u''Au  
3:3u''Au 30:30u''Au  
6:6u''Au
- No.Of Contacts  
6:6p6c
- Connector Type  
P:Plug
- Series No.  
DS1122-02



No.	PART NAME	Q'TY	MATERIAL	REMARK
(2)	BLADE	6	Copper alloy	GOLD PLATING
(1)	HOUSING	1	PC	UL94 V-0 OR 94 V-2

GENERAL TOLERANCE		ANGLE TOLERANCE	
X.	±0.60	X.	±5'
.X	±0.38	.X	±3'
.XX	±0.25	.XX	±2'

DRAWING TYPE	CUSTOMER		
SCALE	1:1	SHEET	1 OF 1
DRAWING NO.	C-DS1122-02-XXXX		

PROJECTION	TITLE
	Plug 6P6C SQUARE WITH LONG TYPE(22.6mm)
UNITS	mm
SHEET SIZE	A4
SERIES	DS1122-02 SERIES

晨翔电子有限公司  
CONNFLY CONNFLY ELECTRONIC CO. LTD