

REV.	DESCRIPTION	DRAWN	CHECKED	APPROVED
A	NEW RELEASE	LJC 04/07/09'		

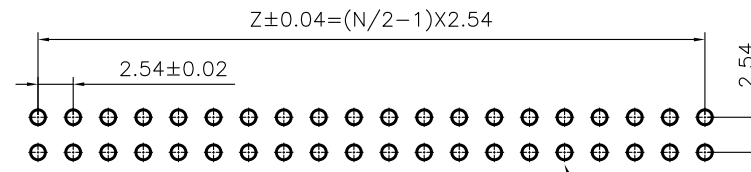
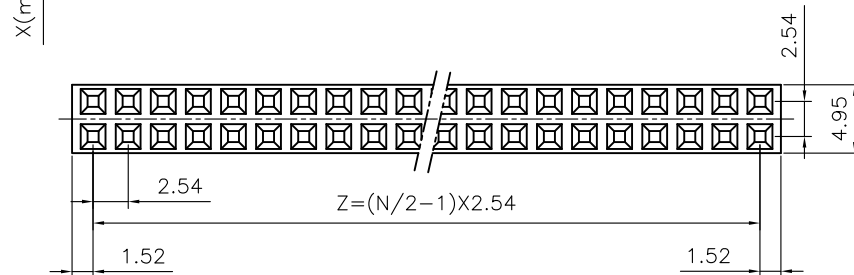
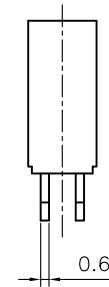
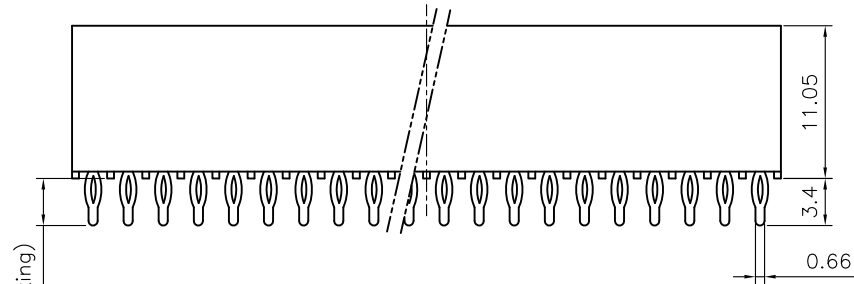
NOTES:

- Material:
Insulator: PBT With glass fiber. UL94 V-0.
Contact: Copper alloy.
- Electrical performance
Current rating: 1.9A.
Contact resistance: 20mΩ maximum.
Insulation resistance: 1000MΩ minimum.
Dielectric withstanding voltage: 500V AC(r.m.s) per 60s.
- Environment performance:
Temperature range: -55°C~+125°C.
- Mechanical performance:
Mating force: 150g per pin maximum.
Withdrawal force: 30g per pin minimum.
Press-In force: 8Kgf per maximum.
- Recommend PCB thickness: 1.6mm
- Product number code:
PC104-001 - XX X X

Contact plating:
1: Selective 10u" gold(contact area)
3: Selective 30u" gold(contact area)
6: Full Matt Tin(General Mode)

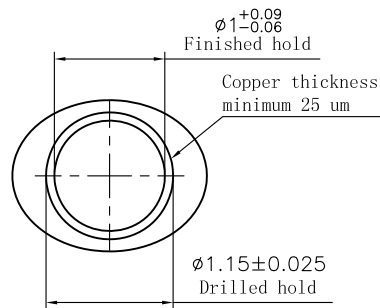
Color:
B: Black
A: Gray

No. of positions:
2*2 ~ 2*50



Recommend PCB layout

suggested hole size see detail A



Detail A(10:1)

GENERAL TOLERANCE		ANGLE TOLERANCE		PROJECTION	TITLE	PC/104 Non Stack V/T Type	
X.	±0.60	X.	±5°	mm			
.X	±0.38	.X	±3°	A4	SERIES	PC104-001 SERIES	
.XX	±0.25	.XX	±2°				
DRAWING TYPE		CUSTOMER		晨翔电子有限公司 CONNFLY CONNFLY ELECTRONIC CO. LTD			
SCALE	1:1	SHEET	1 OF 1				
DRAWING NO.	C-PC104-001-XXXX						

REV.	DESCRIPTION	DRAWN	CHECKED	APPROVED
A	NEW RELEASE	LJC 04/07/09'		

NOTES:

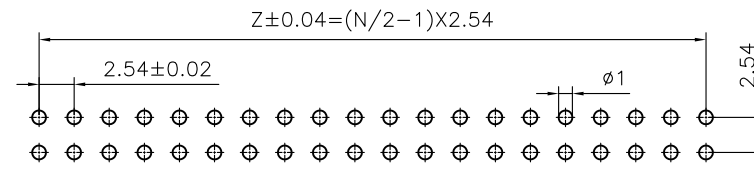
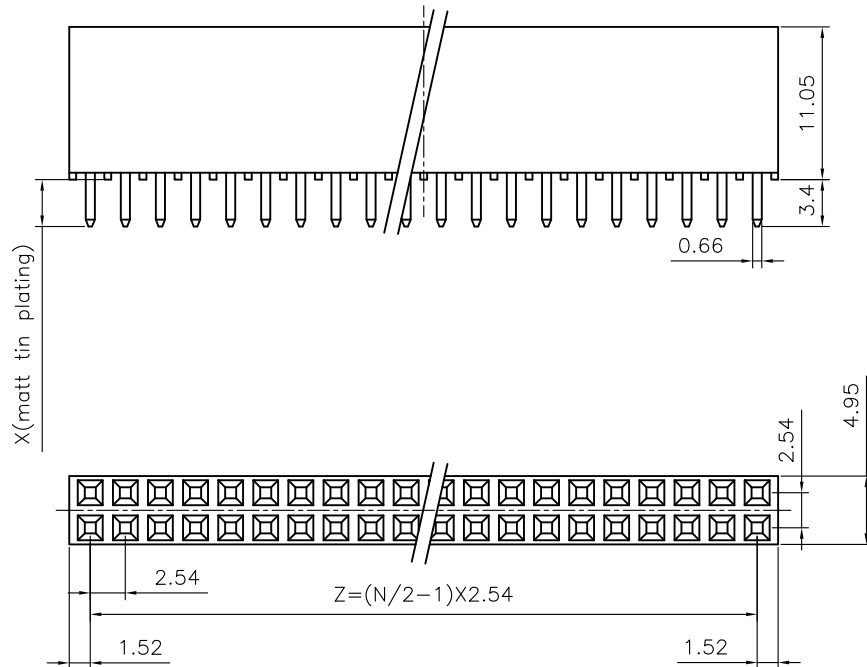
- Material:
Insulator: PBT With glass fiber. UL94 V-0.
Contact: Copper alloy.
- Electrical performance
Current rating: 1.9A.
Contact resistance: 20mΩ maximum.
Insulation resistance: 1000MΩ minimum.
Dielectric withstanding voltage: 500V AC(r.m.s) per 60s.
- Environment performance:
Temperature range: -55°C~+125°C.
- Mechanical performance:
Mating force: 150g per pin maximum.
Withdrawal force: 30g per pin minimum.
Press-In force: 8Kgf per maximum.
- Recommend PCB thickness: 1.6mm
- Product number code:

PC104-002 - XX X X

Contact plating:
1: Selective 10u" gold(contact area)
3: Selective 30u" gold(contact area)
6: Full Matt Tin(General Mode)

Color:
B: Black
A: Gray

No. of positions:
2*2 ~ 2*50



Recommend PCB layout

GENERAL TOLERANCE		ANGLE TOLERANCE		PROJECTION		TITLE	PC/104 Non Stack V/T Type	
X.	±0.60	X.	±5°	UNITS	mm			
.X	±0.38	.X	±3°	SHEET SIZE	A4	SERIES	PC104-002 SERIES	
.XX	±0.25	.XX	±2°	晨翔电子有限公司 CONNFLY CONNFLY ELECTRONIC CO. LTD				
DRAWING TYPE		CUSTOMER						
SCALE	1:1	SHEET	1 OF 1					
DRAWING NO.		C-PC104-002-XXXX						

REV.	DESCRIPTION	DRAWN	CHECKED	APPROVED
A	NEW RELEASE	LJC 04/07/09'		

NOTES:

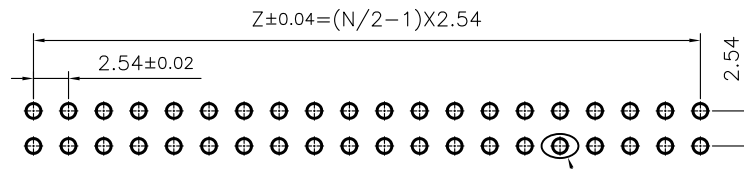
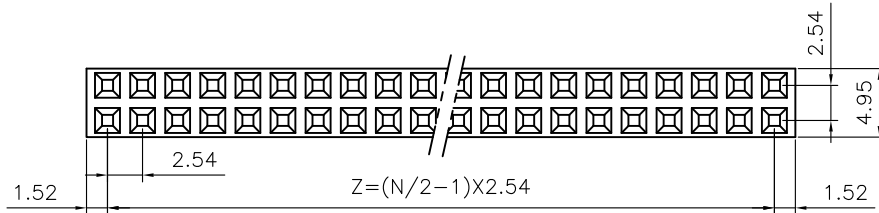
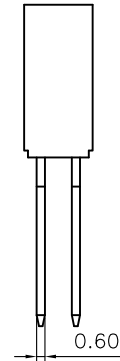
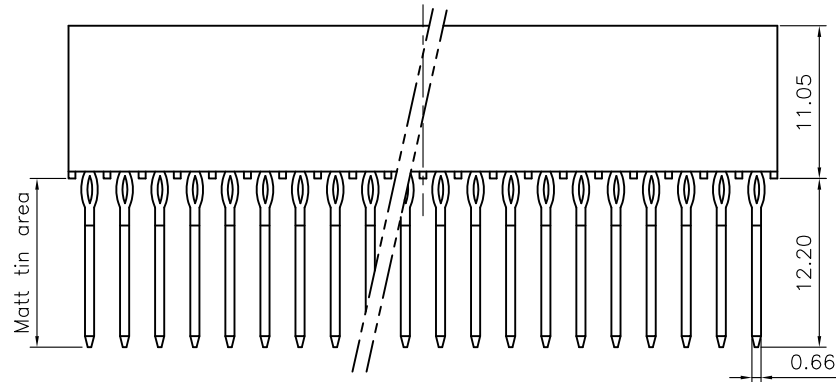
- Material:
Insulator: PBT With glass fiber. UL94 V-0.
Contact: Copper alloy.
- Electrical performance
Current rating: 1.9A.
Contact resistance: 20mΩ maximum.
Insulation resistance: 1000MΩ minimum.
Dielectric withstanding voltage: 500V AC(r.m.s) per 60s.
- Environment performance:
Temperature range: -55°C~+125°C.
- Mechanical performance:
Mating force: 150g per pin maximum.
Withdrawal force: 30g per pin minimum.
Press-In force: 8Kgf per maximum.
- Recommend PCB thickness: 1.6mm
- Product number code:

PC104-003 - XX X X

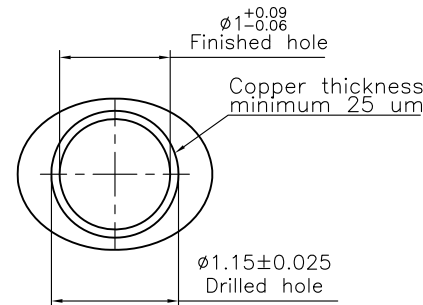
Contact plating:
1: Selective 10u" gold(contact area)
3: Selective 30u" gold(contact area)
6: Full Matt Tin(General Mode)

Color:
B: Black
A: Gray

No. of positions:
2*2 ~ 2*50

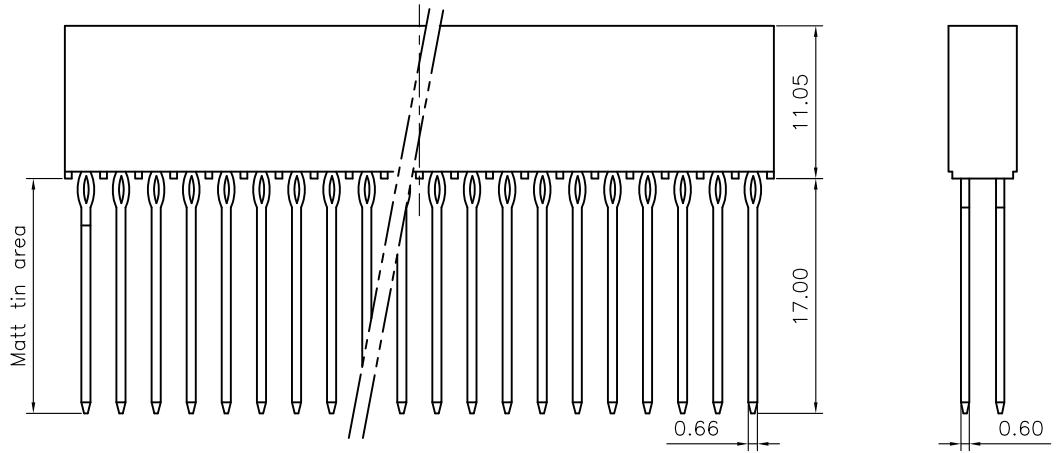


Recommend PCB layout suggested hole size see detail A

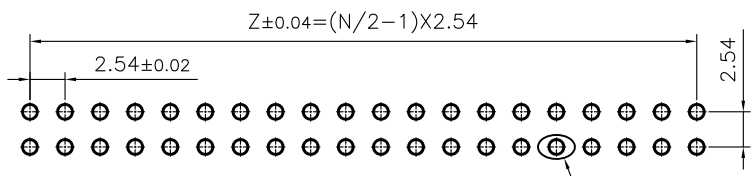
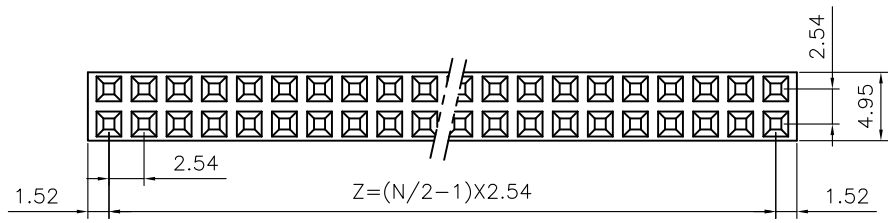


GENERAL TOLERANCE		ANGLE TOLERANCE		PROJECTION		TITLE	PC/104 Stack	
X.	±0.60	X.	±5°	UNITS	mm		V/T Type	
.X	±0.38	.X	±3°	SHEET SIZE	A4	SERIES	PC104-003 SERIES	
.XX	±0.25	.XX	±2°	晨翔电子有限公司 CONNFLY CONNFLY ELECTRONIC CO. LTD				
DRAWING TYPE		CUSTOMER						
SCALE	1:1	SHEET	1 OF 1					
DRAWING NO.		C-PC104-003-XXXX						

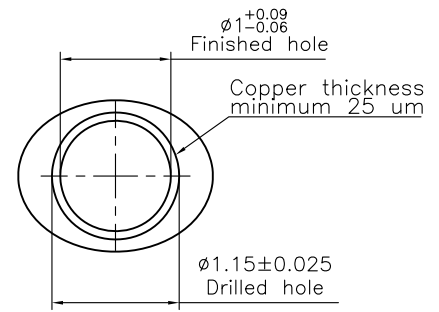
REV.	DESCRIPTION	DRAWN	CHECKED	APPROVED
A	NEW RELEASE	LJC 04/07/09'		



- NOTES:
- Material:
Insulator: PBT With glass fiber. UL94 V-0.
Contact: Copper alloy.
 - Electrical performance
Current rating: 1.9A.
Contact resistance: 20mΩ maximum.
Insulation resistance: 1000MΩ minimum.
Dielectric withstanding voltage: 500V AC(r.m.s) per 60s.
 - Environment performance:
Temperature range: -55°C~+125°C.
 - Mechanical performance:
Mating force: 150 per pin maximum.
Withdrawal force: 30g per pin minimum.
Press-In force: 8Kgf per maximum.
 - Recommend PCB thickness: 1.6mm
 - Product number code:
PC104-004 - XX X X



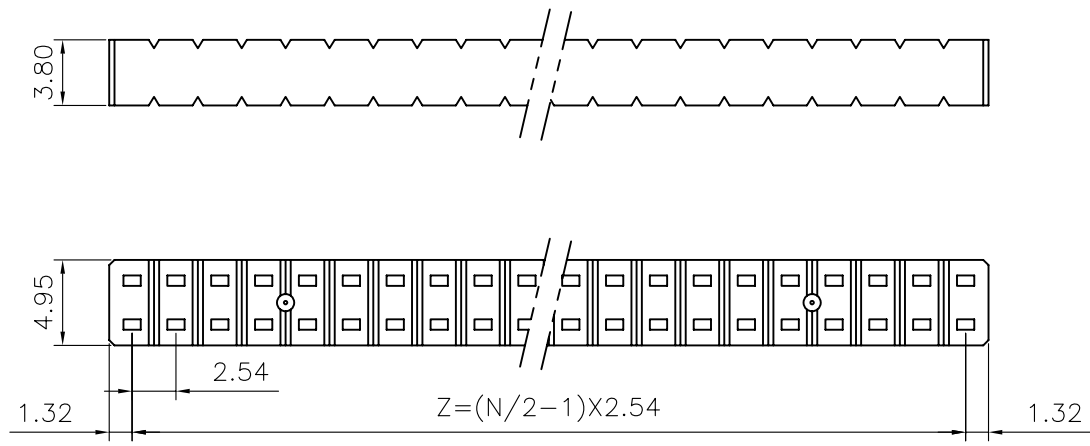
Recommend PCB layout suggested hole size see detail A



- Contact plating:
1: Selective 10u" gold(contact area)
3: Selective 30u" gold(contact area)
6: Full Matt Tin(General Mode)
- Color:
B: Black
A: Gray
- No. of positions:
2*2 ~ 2*50

GENERAL TOLERANCE		ANGLE TOLERANCE		PROJECTION		TITLE	PC/104 Stack	
X.	±0.60	X.	±5°	UNITS	mm		V/T Type	
.X	±0.38	.X	±3°	SHEET SIZE	A4	SERIES	PC104-004 SERIES	
.XX	±0.25	.XX	±2°			晨翔电子有限公司 CONNFLY CONNFLY ELECTRONIC CO. LTD		
DRAWING TYPE		CUSTOMER						
SCALE	1:1	SHEET	1 OF 1					
DRAWING NO.		C-PC104-004-XXXX						

REV.	DESCRIPTION	DRAWN	CHECKED	APPROVED
A	NEW RELEASE	LJC 04/07/09'		



- NOTES:
 1. Material: PBT With glass fiber. UL94 V0.
 2. Temperature range: -45°C~125°C.
 3. Product number code:

PC104-005 - XX X

Color:
 B: Black
 A: Gray

No. of positions:
 40 64 100

GENERAL TOLERANCE		ANGLE TOLERANCE		PROJECTION		TITLE	PC/104 Accessories	
X.	±0.60	X.	±5°	UNITS	mm			
.X	±0.38	.X	±3°	SHEET SIZE	A4	SERIES	PC104-005 SERIES	
.XX	±0.25	.XX	±2°	晨翔电子有限公司 CONNFLY CONNFLY ELECTRONIC CO. LTD				
DRAWING TYPE		CUSTOMER						
SCALE	1:1	SHEET	1 OF 1					
DRAWING NO.		C-PC104-005-XXX						