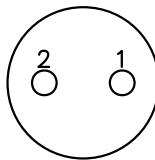
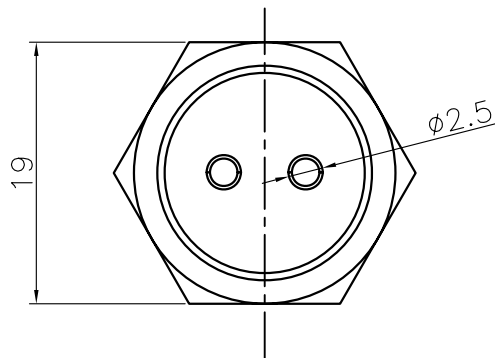
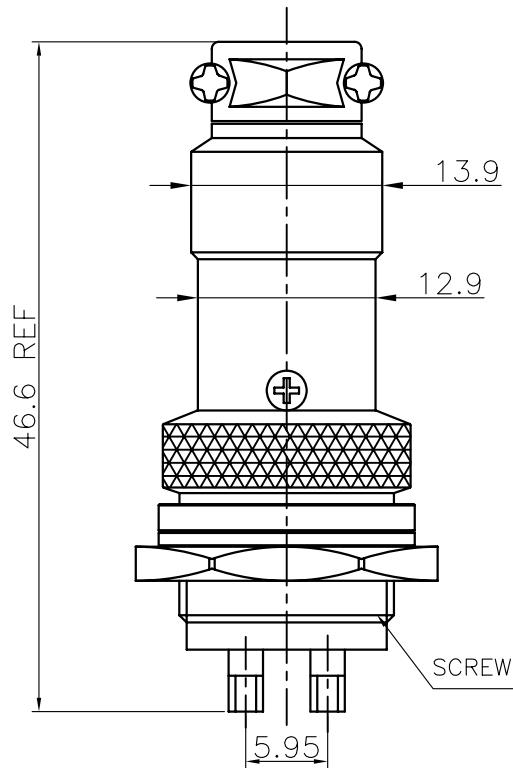
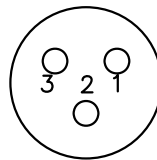


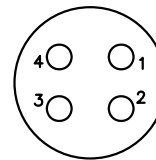
REV.	DESCRIPTION	DRAWN	CHECKED	APPROVED
A	NEW RELEASE	LJH 05/09/05'		



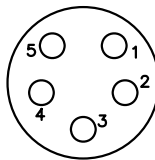
2 PIN



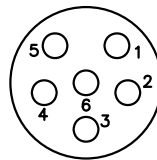
3 PIN



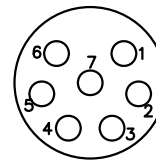
4 PIN



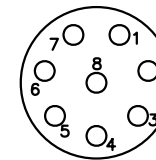
5 PIN



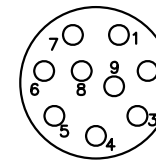
6 PIN



7 PIN



8 PIN



9 PIN

NOTES:

1.SPECIFICATION

- .CURRENT RATING: 5A Max.
- .DIELECTRIC WITH STANDING VOLTAGE: 500V(AC)
- .CONTACT RESISTANCE: 50mΩ Max.
- .INSULATION RESISTANCE: 1000MΩ(DC)Min

2.PRODUCT NUMBER CODE:

DS1110 - X X X

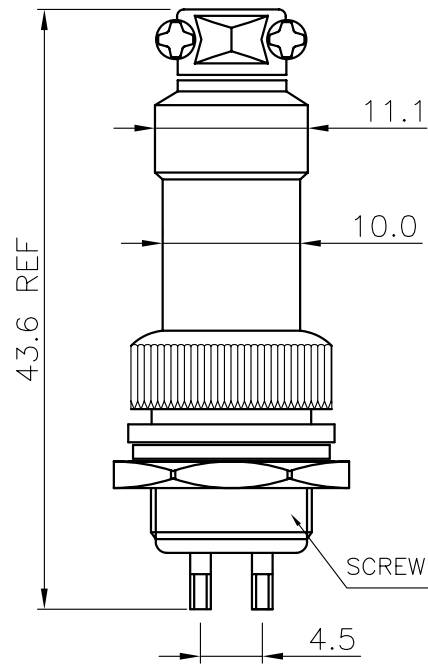
CONTACT PLATING  
6: TIN

COLOR OF HOUSING:  
W: WHITE  
B: BLACK

No. OF CONTACTS  
2 3 4 5 6 7 8 9

GENERAL TOLERANCE		ANGLE TOLERANCE		PROJECTION	TITLE
X.	±0.60	X.	±5°		MICRO JACK CONNECTOR
.X	±0.38	.X	±3°	mm	
.XX	±0.25	.XX	±2°	A4	SERIES DS1110 SERIES
DRAWING TYPE		CUSTOMER		<b>晨翔电子有限公司</b> <b>CONNFLY CONNFLY ELECTRONIC CO. LTD</b>	
SCALE	1:1	SHEET	1 OF 1		
DRAWING NO.	C-DS1110-XXX				

REV.	DESCRIPTION	DRAWN	CHECKED	APPROVED
A	NEW RELEASE	LL 07/18/06'		



NOTES:

1.SPECIFICATION

- .CURRENT RATING: 5A Max.
- .DIELECTRIC WITH STANDING VOLTAGE: 500V(AC)
- .CONTACT RESISTANCE: 100mΩ Max.
- .INSULATION RESISTANCE: 1000MΩ(DC)Min

2.PRODUCT NUMBER CODE:

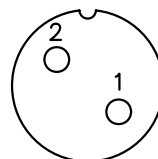
DS1110-01 - X X X

CONTACT PLATING  
6: TIN

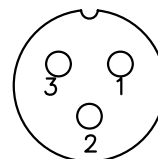
COLOR OF HOUSING:  
W: WHITE  
B: BLACK

No. OF CONTACTS

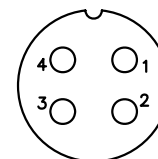
- 2: 2pin 3: 3pin
- 4: 4pin 5: 5pin
- 6: 6pin 7: 7pin
- 8: 8pin 9: 9pin



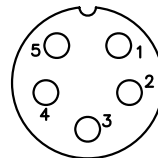
2 PIN



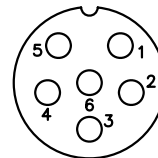
3 PIN



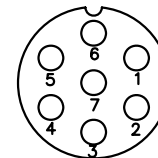
4 PIN



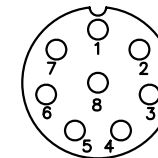
5 PIN



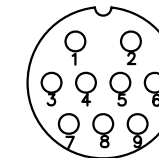
6 PIN



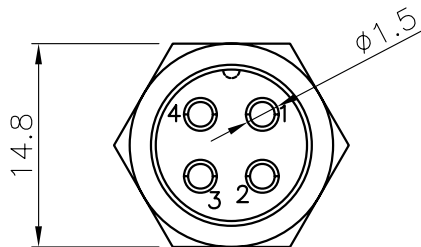
7 PIN



8 PIN



9 PIN



4 PIN

GENERAL TOLERANCE		ANGLE TOLERANCE		PROJECTION		TITLE	MICRO JACK CONNECTOR	
X.	±0.60	X.	±5°	UNITS	mm	SERIES	DS1110-01 SERIES	
.X	±0.38	.X	±3°	SHEET SIZE	A4			
.XX	±0.25	.XX	±2°	<b>晨翔电子有限公司</b> <b>CONNFLY CONNFLY ELECTRONIC CO. LTD</b>				
DRAWING TYPE		CUSTOMER						
SCALE	1:1	SHEET	1 OF 1					
DRAWING NO.		C-DS1110-01-XXX						

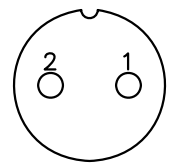
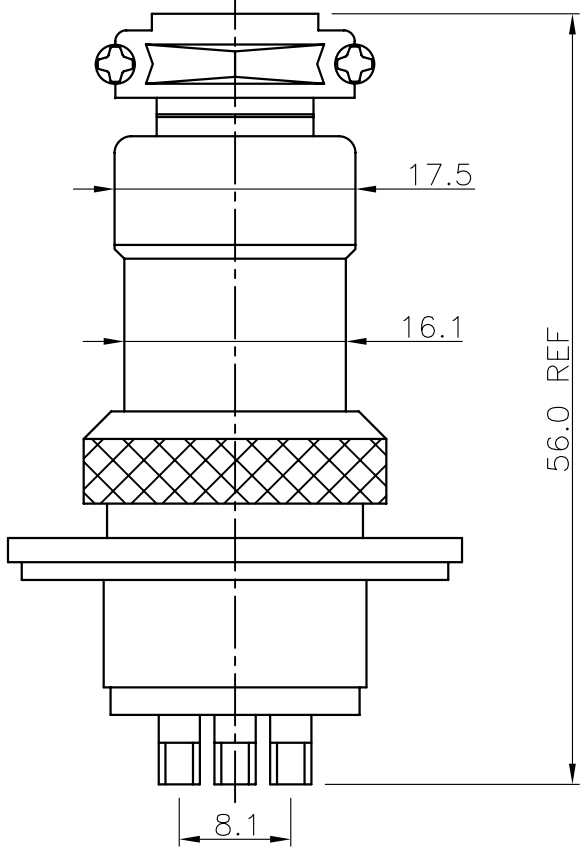
REV.	DESCRIPTION	DRAWN	CHECKED	APPROVED
A	NEW RELEASE	LL 07/18/06'		

NOTES:

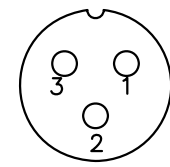
- SPECIFICATION
  - CURRENT RATING: 5A Max.
  - DIELECTRIC WITH STANDING VOLTAGE: 500V(AC)
  - CONTACT RESISTANCE: 100mΩ Max.
  - INSULATION RESISTANCE: 1000MΩ(DC)Min.
- PRODUCT NUMBER CODE:

DS1110-02 - X X X

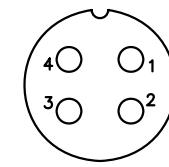
- CONTACT PLATING  
6: TIN
- COLOR OF HOUSING:  
W: WHITE  
B: BLACK
- No. OF CONTACTS  
2: 2pin  
10: 10pin



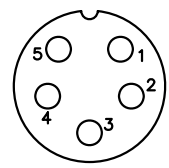
2 PIN



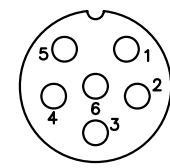
3 PIN



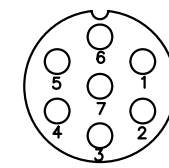
4 PIN



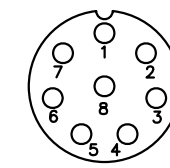
5 PIN



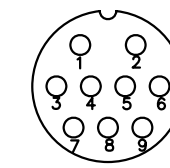
6 PIN



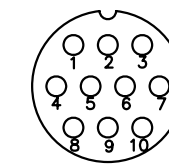
7 PIN



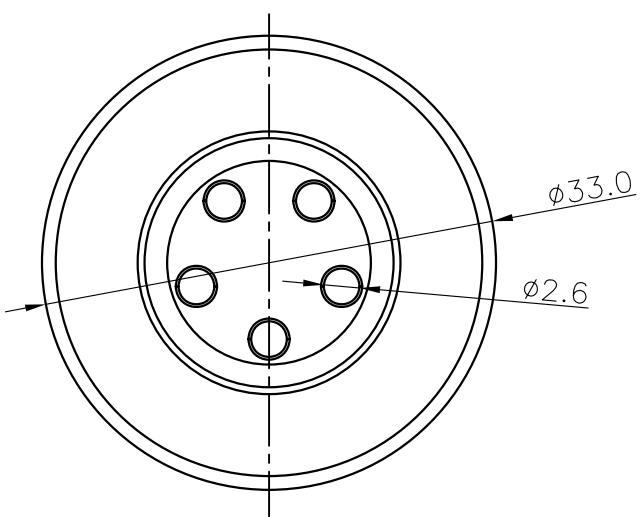
8 PIN



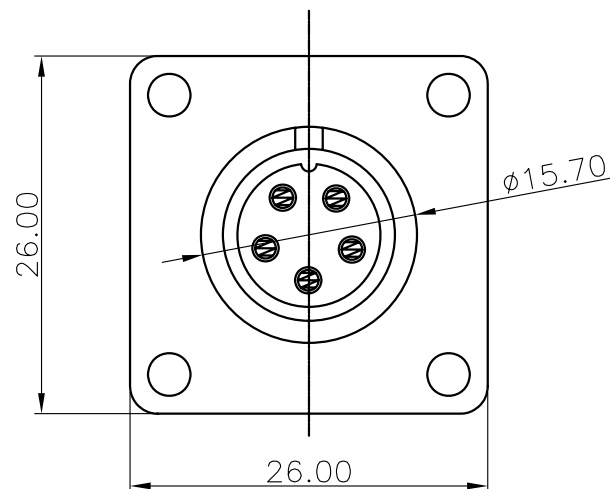
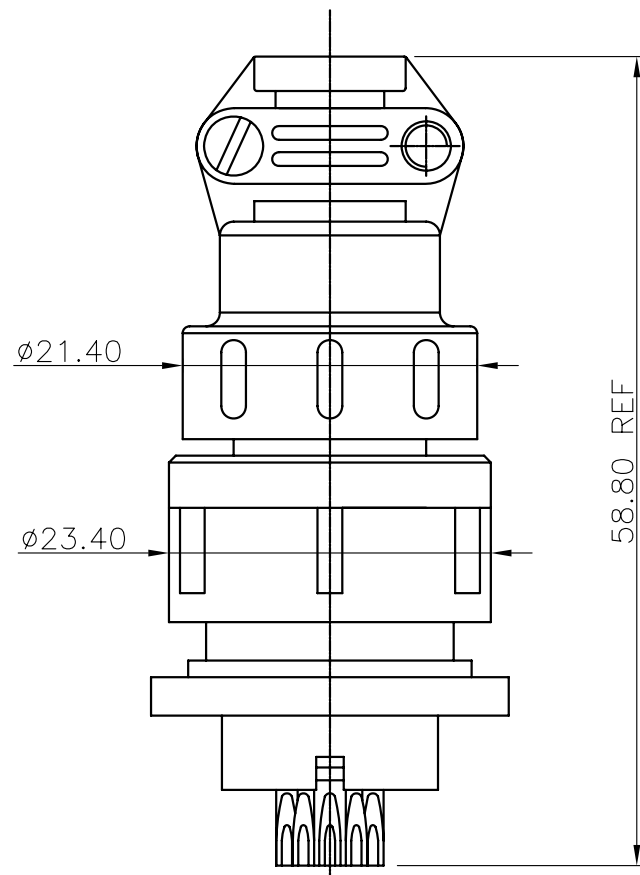
9 PIN



10 PIN



GENERAL TOLERANCE		ANGLE TOLERANCE		PROJECTION		TITLE	MICRO JACK CONNECTOR	
X.	±0.60	X.	±5°	UNITS	mm			
.X	±0.38	.X	±3°	SHEET SIZE	A4	SERIES	DS1110-02 SERIES	
.XX	±0.25	.XX	±2°	<b>晨翔电子有限公司</b> <b>CONNPLY CONNPLY ELECTRONIC CO. LTD</b>				
DRAWING TYPE		CUSTOMER						
SCALE	1:1	SHEET	1 OF 1					
DRAWING NO.		C-DS1110-02-XXX						



REV.	DESCRIPTION	DRAWN	CHECKED	APPROVED
A	NEW RELEASE	LL 07/18/06'		

NOTES:

1.SPECIFICATION

- .CURRENT RATING: 5A Max.
- .DIELECTRIC WITH STANDING VOLTAGE: 500V(AC)
- .CONTACT RESISTANCE: 50mΩ Max.
- .INSULATION RESISTANCE: 1000MΩ(DC)Min

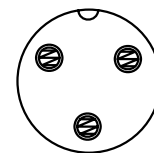
2.PRODUCT NUMBER CODE:

DS1110-03 - X X X

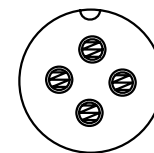
CONTACT PLATING  
6: TIN

COLOR OF HOUSING:  
A: GRAY

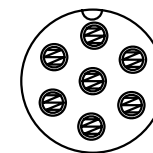
No. OF CONTACTS  
3 4 5 7 9



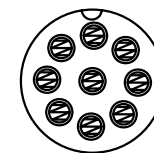
3 PIN



4 PIN



7 PIN



9 PIN

GENERAL TOLERANCE		ANGLE TOLERANCE		PROJECTION		TITLE	MICRO JACK CONNECTOR	
X.	±0.60	X.	±5°	UNITS	mm			
.X	±0.38	.X	±3°	SHEET SIZE	A4	SERIES	DS1110-03 SERIES	
.XX	±0.25	.XX	±2°	<b>晨翔电子有限公司</b> <b>CONNFLY CONNFLY ELECTRONIC CO. LTD</b>				
DRAWING TYPE		CUSTOMER						
SCALE	1:1	SHEET	1 OF 1					
DRAWING NO.		C-DS1110-03-XXX						

REV.	DESCRIPTION	DRAWN	CHECKED	APPROVED
A	NEW RELEASE	LL 09/05/06'		

NOTES:

1.SPECIFICATION

- .CURRENT RATING: 5A Max.
- .DIELECTRIC WITH STANDING VOLTAGE: 500V(AC)
- .CONTACT RESISTANCE: 50mΩ Max.
- .INSULATION RESISTANCE: 1000MΩ(DC)Min

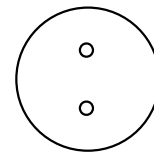
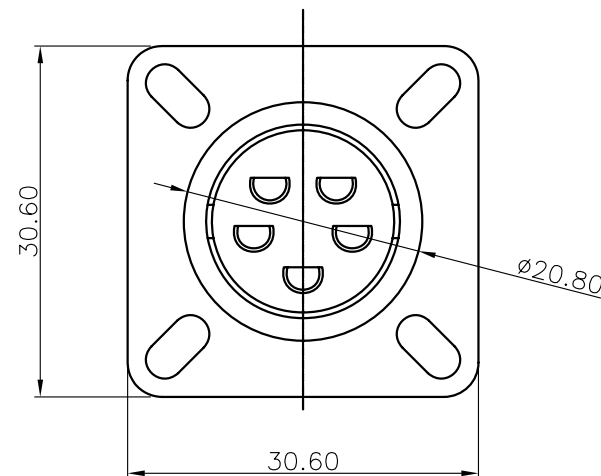
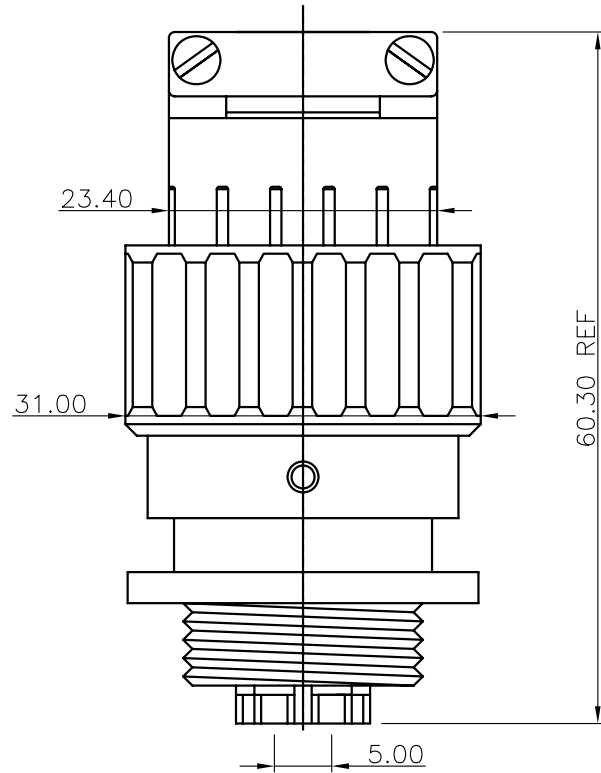
2.PRODUCT NUMBER CODE:

DS1110-04 - X X X

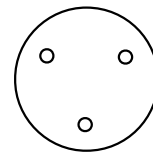
CONTACT PLATING  
0: Gold flash

COLOR OF HOUSING:  
G: Green

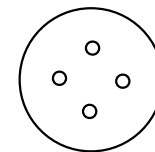
No. OF CONTACTS  
2 3 4 5 7 10 14



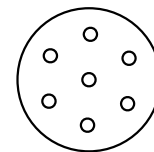
2 PIN



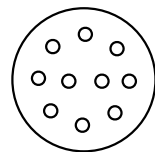
3 PIN



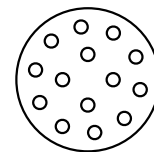
4 PIN



7 PIN

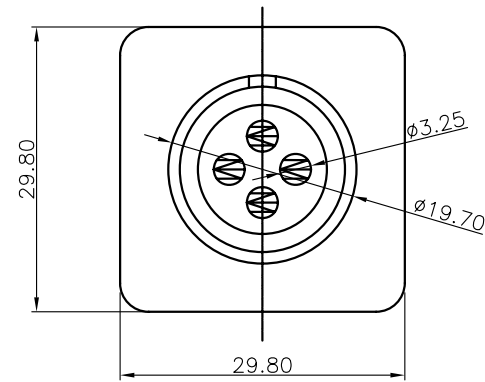
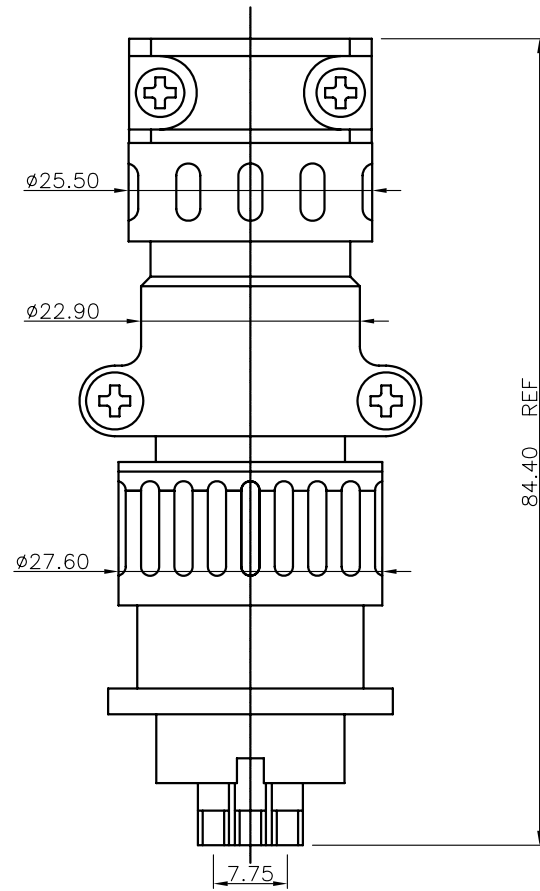


10 PIN



14 PIN

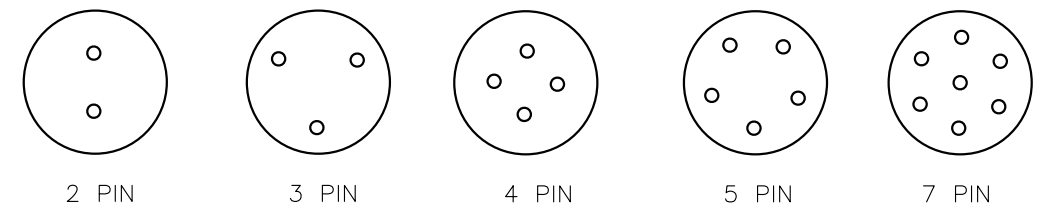
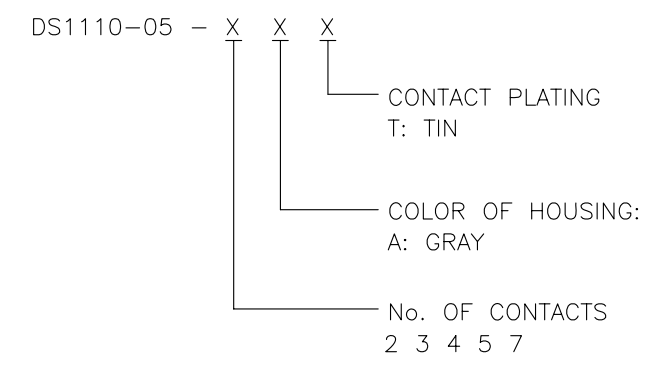
GENERAL TOLERANCE		ANGLE TOLERANCE		PROJECTION		TITLE	MICRO JACK CONNECTOR		
X.	±0.60	X.	±5°	UNITS	mm	SHEET SIZE	A4		
.X	±0.38	.X	±3°			SERIES	DS1110-04 SERIES		
.XX	±0.25	.XX	±2°						
DRAWING TYPE		CUSTOMER			晨翔电子有限公司 <b>CONNFLY CONNFLY ELECTRONIC CO. LTD</b>				
SCALE		1:1	SHEET 1 OF 1						
DRAWING NO.		C-DS1110-04-XXX							



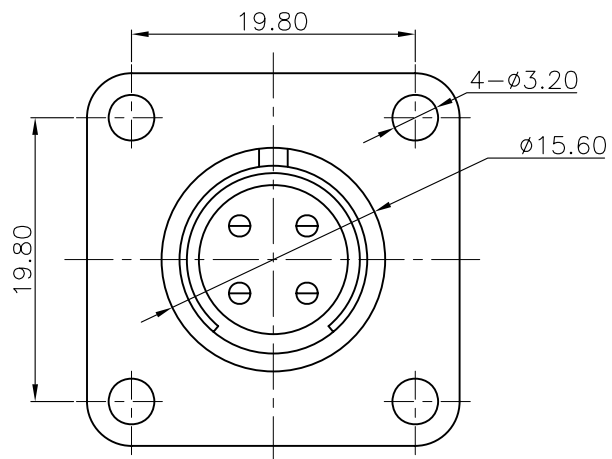
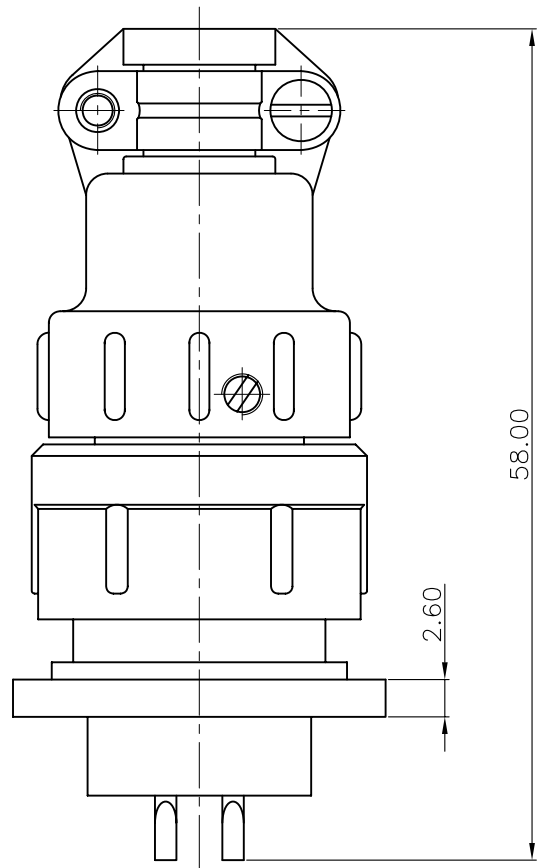
REV.	DESCRIPTION	DRAWN	CHECKED	APPROVED
A	NEW RELEASE	LL 09/05/06'		

NOTES:

- SPECIFICATION
  - CURRENT RATING: 5A Max.
  - DIELECTRIC WITH STANDING VOLTAGE: 500V(AC)
  - CONTACT RESISTANCE: 50mΩ Max.
  - INSULATION RESISTANCE: 1000MΩ(DC)Min
- PRODUCT NUMBER CODE:



GENERAL TOLERANCE		ANGLE TOLERANCE		PROJECTION		TITLE	MICRO JACK CONNECTOR	
X.	±0.60	X.	±5°	UNITS	mm			
.X	±0.38	.X	±3°	SHEET SIZE	A4	SERIES	DS1110-05 SERIES	
.XX	±0.25	.XX	±2°	<b>晨翔电子有限公司</b> <b>CONNFLY CONNFLY ELECTRONIC CO. LTD</b>				
DRAWING TYPE		CUSTOMER						
SCALE	1:1	SHEET	1 OF 1					
DRAWING NO.		C-DS1110-05-XXX						



REV.	DESCRIPTION	DRAWN	CHECKED	APPROVED
A	NEW RELEASE	YCH 08/17/07'	~	

NOTES:

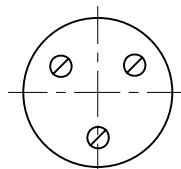
1.SPECIFICATION

- .CURRENT RATING: 5A Max.
- .DIELECTRIC WITH STANDING VOLTAGE: 500V(AC)
- .CONTACT RESISTANCE: 100mΩ Max.
- .INSULATION RESISTANCE: 1000MΩ(DC)Min.

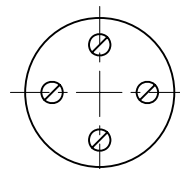
2.PRODUCT NUMBER CODE:

DS1110-06 - X X X X

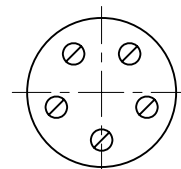
- SHELL SURFACE FINISHED  
P:SPRAY THE PAINT (GRAY)
- CONTACT PLATING  
Y: SILVER
- COLOR OF HOUSING:  
L: BLUE
- No. OF CONTACTS  
03: 3pin 07: 7pin  
04: 4pin 09: 9pin  
05: 5pin



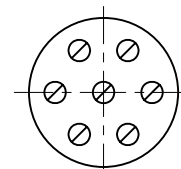
3pin



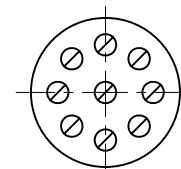
4pin



5pin

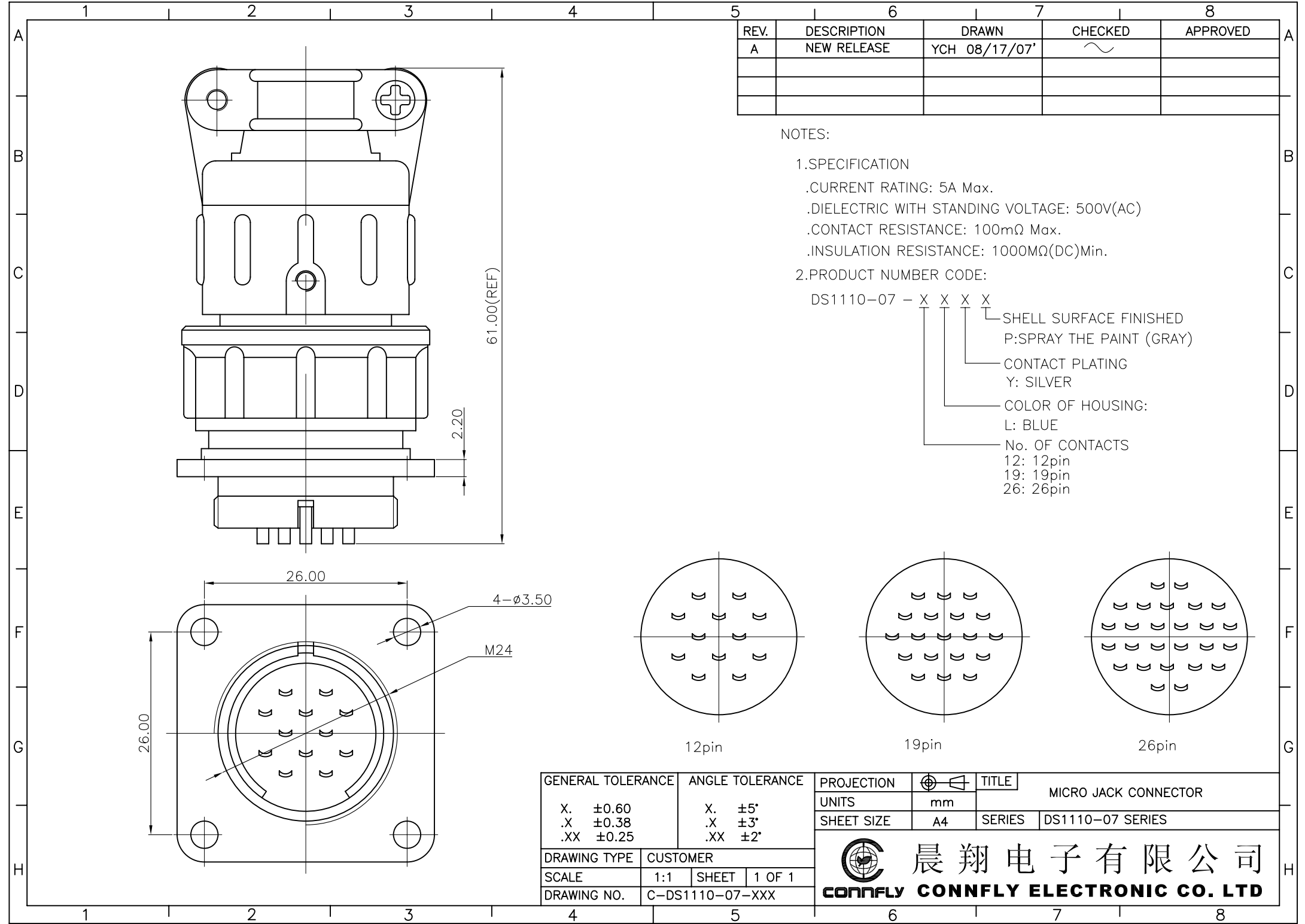


7pin



9pin

GENERAL TOLERANCE		ANGLE TOLERANCE		PROJECTION		TITLE	MICRO JACK CONNECTOR
X.	±0.60	X.	±5°	UNITS	mm	SERIES	DS1110-06 SERIES
.X	±0.38	.X	±3°	SHEET SIZE	A4		
.XX	±0.25	.XX	±2°				
DRAWING TYPE	CUSTOMER			晨翔电子有限公司 <b>CONNFLY CONNFLY ELECTRONIC CO. LTD</b>			
SCALE	1:1	SHEET	1 OF 1				
DRAWING NO.	C-DS1110-06-XXX						



REV.	DESCRIPTION	DRAWN	CHECKED	APPROVED
A	NEW RELEASE	YCH 08/17/07'	~	

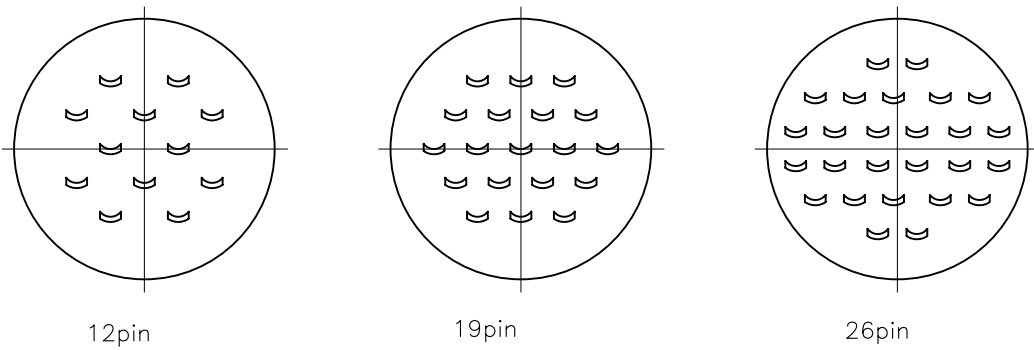
NOTES:

- SPECIFICATION
  - .CURRENT RATING: 5A Max.
  - .DIELECTRIC WITH STANDING VOLTAGE: 500V(AC)
  - .CONTACT RESISTANCE: 100m $\Omega$  Max.
  - .INSULATION RESISTANCE: 1000M $\Omega$ (DC)Min.

2.PRODUCT NUMBER CODE:

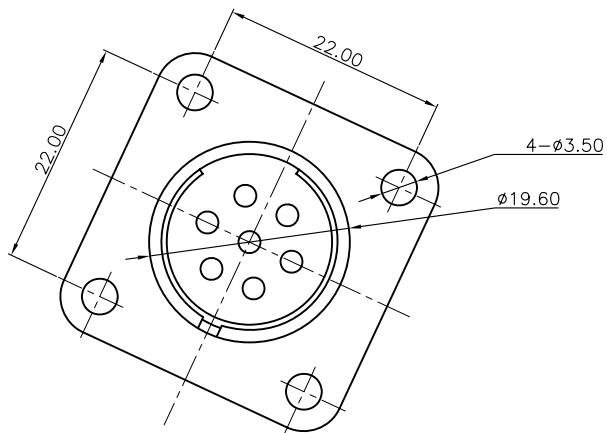
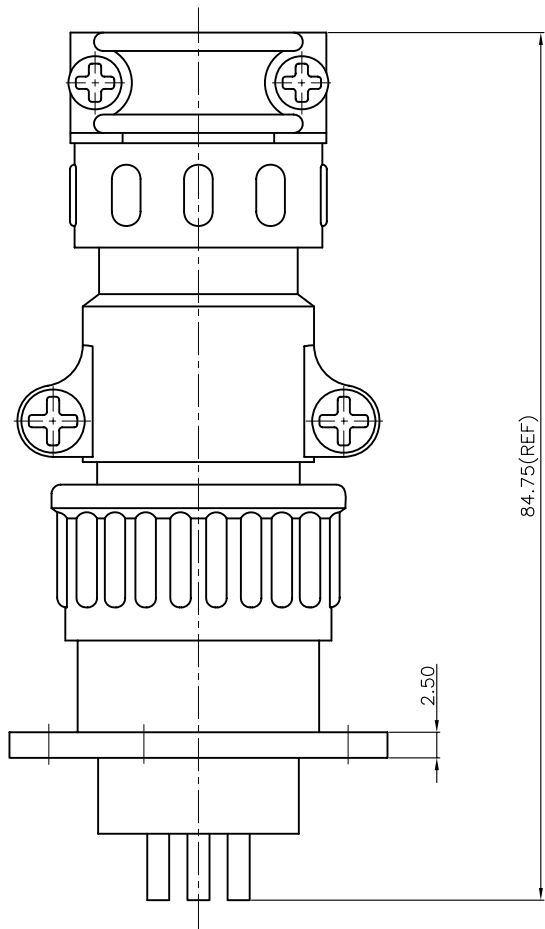
DS1110-07 - X X X X

- X: SHELL SURFACE FINISHED
- P: SPRAY THE PAINT (GRAY)
- Y: CONTACT PLATING
- Y: SILVER
- L: COLOR OF HOUSING: BLUE
- No. OF CONTACTS:
  - 12: 12pin
  - 19: 19pin
  - 26: 26pin



GENERAL TOLERANCE		ANGLE TOLERANCE		PROJECTION		TITLE	MICRO JACK CONNECTOR
X.	$\pm 0.60$	X.	$\pm 5^\circ$	UNITS	mm	SHEET	1 OF 1
.X	$\pm 0.38$	.X	$\pm 3^\circ$	SHEET SIZE	A4	SERIES	DS1110-07 SERIES
.XX	$\pm 0.25$	.XX	$\pm 2^\circ$	<b>晨翔电子有限公司</b> <b>CONNPLY CONNPLY ELECTRONIC CO. LTD</b>			
DRAWING TYPE		CUSTOMER					
SCALE		1:1					
DRAWING NO.		C-DS1110-07-XXX					





REV.	DESCRIPTION	DRAWN	CHECKED	APPROVED
A	NEW RELEASE	YCH 08/17/07'	~	

NOTES:

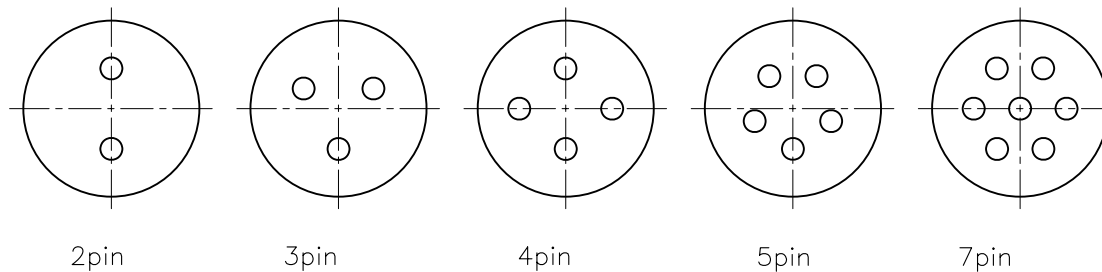
1.SPECIFICATION

- .CURRENT RATING: 5A Max.
- .DIELECTRIC WITH STANDING VOLTAGE: 500V(AC)
- .CONTACT RESISTANCE: 100m $\Omega$  Max.
- .INSULATION RESISTANCE: 1000M $\Omega$ (DC)Min.

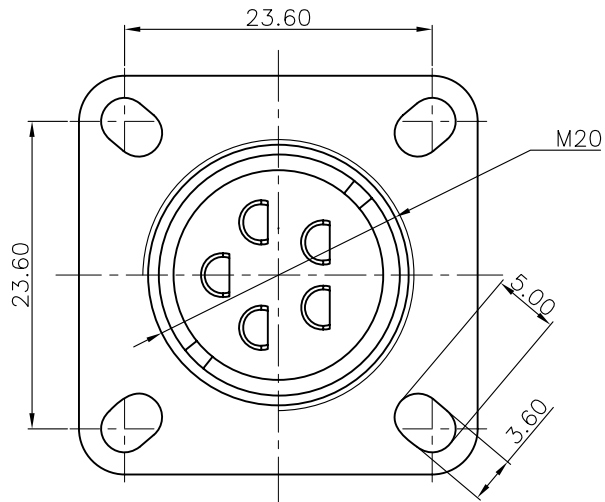
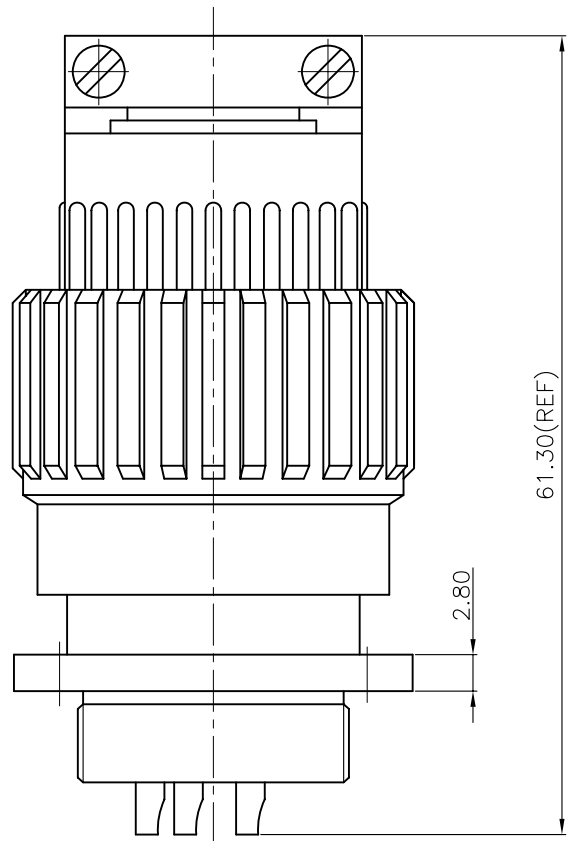
2.PRODUCT NUMBER CODE:

DS1110-08 - X X X X

- SHELL SURFACE FINISHED  
P:SPRAY THE PAINT (GRAY)
- CONTACT PLATING  
Y: SILVER
- COLOR OF HOUSING:  
L: BLUE
- No. OF CONTACTS  
02: 2pin 5: 05pin  
03: 3pin 7: 07pin  
04: 4pin



GENERAL TOLERANCE		ANGLE TOLERANCE		PROJECTION	TITLE
X.	$\pm$ 0.60	X.	$\pm$ 5°		MICRO JACK CONNECTOR
.X	$\pm$ 0.38	.X	$\pm$ 3°	mm	
.XX	$\pm$ 0.25	.XX	$\pm$ 2°	A4	SERIES DS1110-08 SERIES
DRAWING TYPE	CUSTOMER			晨翔电子有限公司 <b>CONNFly CONNFly ELECTRONIC CO. LTD</b>	
SCALE	1:1	SHEET	1 OF 1		
DRAWING NO.	C-DS1110-08-XXX				



REV.	DESCRIPTION	DRAWN	CHECKED	APPROVED
A	NEW RELEASE	YCH 08/17/07'	~	

NOTES:

1.SPECIFICATION

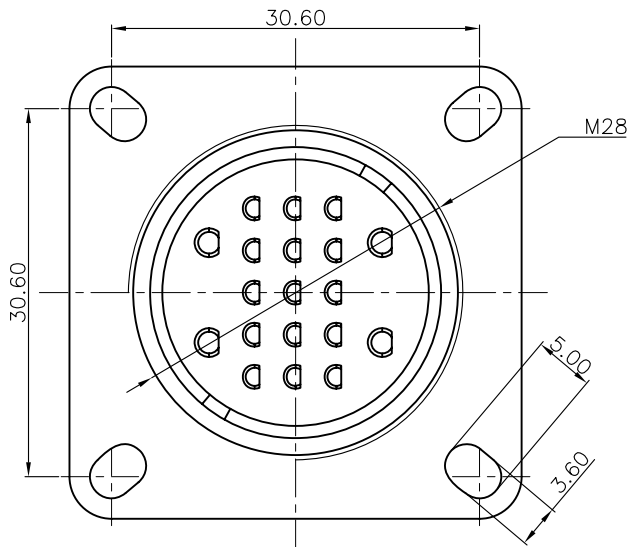
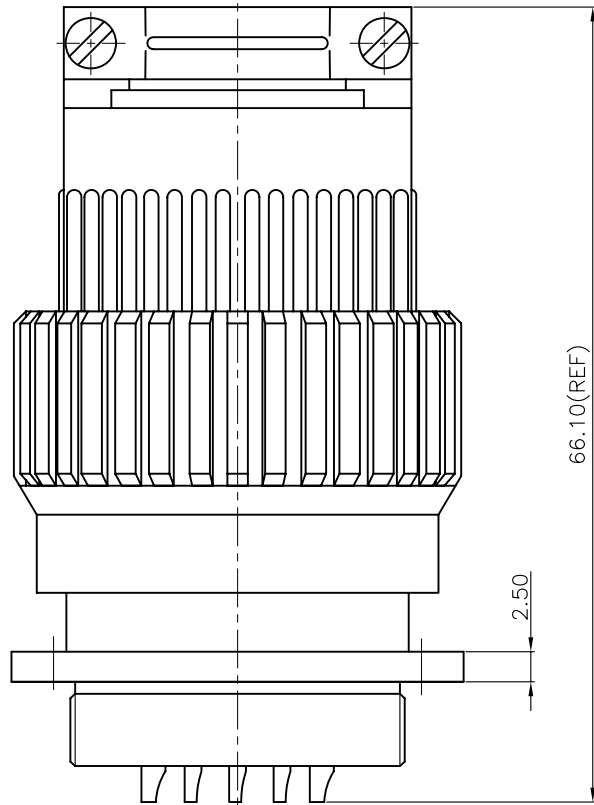
- .CURRENT RATING: 5A Max.
- .DIELECTRIC WITH STANDING VOLTAGE: 500V(AC)
- .CONTACT RESISTANCE: 100mΩ Max.
- .INSULATION RESISTANCE: 1000MΩ(DC)Min.

2.PRODUCT NUMBER CODE:

DS1110-09 - X X X X

- SHELL SURFACE FINISHED
- P1:SPRAY THE PAINT (GREEN)
- CONTACT PLATING
- 8: FULL GOLD FLASH
- COLOR OF HOUSING:
- L: BLUE
- No. OF CONTACTS
- 05: 5pin

GENERAL TOLERANCE		ANGLE TOLERANCE		PROJECTION		TITLE	MICRO JACK CONNECTOR
X. ±0.60	.X ±0.38	.X ±5°	.X ±3°	UNITS	mm	SHEET SIZE	A4
.XX ±0.25	.XX ±2°					SERIES	DS1110-09 SERIES
DRAWING TYPE	CUSTOMER			晨翔电子有限公司 <b>CONFLY CONNFLY ELECTRONIC CO. LTD</b>			
SCALE	1:1	SHEET	1 OF 1				
DRAWING NO.	C-DS1110-09-XXX						



REV.	DESCRIPTION	DRAWN	CHECKED	APPROVED
A	NEW RELEASE	YCH 08/17/07'	~	

NOTES:

1.SPECIFICATION

- .CURRENT RATING: 5A Max.
- .DIELECTRIC WITH STANDING VOLTAGE: 500V(AC)
- .CONTACT RESISTANCE: 100mΩ Max.
- .INSULATION RESISTANCE: 1000MΩ(DC)Min.

2.PRODUCT NUMBER CODE:



GENERAL TOLERANCE		ANGLE TOLERANCE		PROJECTION		TITLE	MICRO JACK CONNECTOR
X.	±0.60	X.	±5°	UNITS	mm	SHEET SIZE	A4
.X	±0.38	.X	±3°	SHEET SIZE	A4	SERIES	DS1110-10 SERIES
.XX	±0.25	.XX	±2°	<b>晨翔电子有限公司</b> <b>CONNPLY CONNPLY ELECTRONIC CO. LTD</b>			
DRAWING TYPE		CUSTOMER					
SCALE	1:1	SHEET	1 OF 1				
DRAWING NO.		C-DS1110-10-XXX					