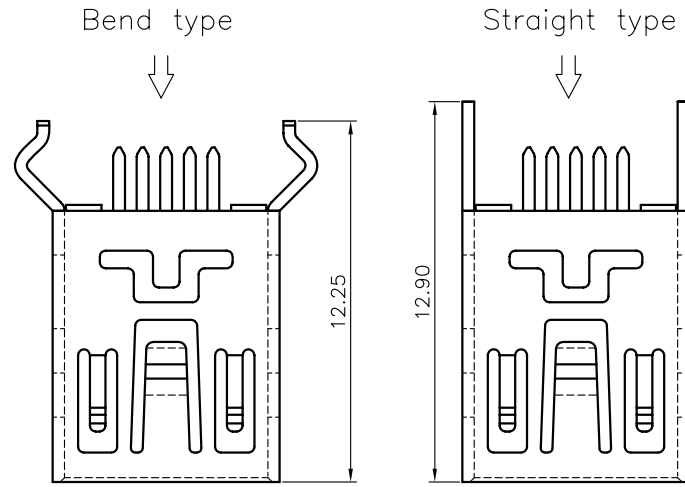
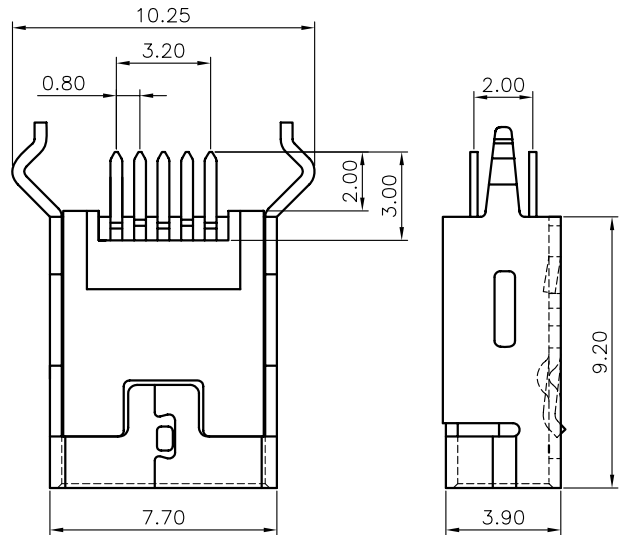


REV.	DESCRIPTION	DRAWN	CHECKED	APPROVED
A	NEW RELEASE	LJC 06/01/11'		

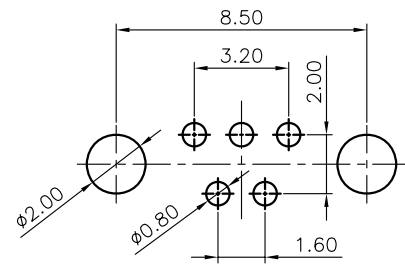
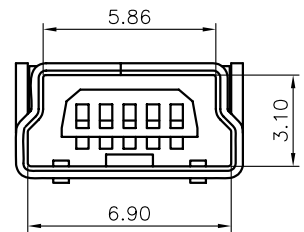


NOTES:

- 1.SPECIFICATIONS
 .VOLTAGE RATING: 30V(DC)
 .DIELECTRIC WITHSTANDING VOLTAGE: 100VAC 1 minute.
 .CONTACT RESISTANCE: 50mΩ Max.
 .INSULATION RESISTANCE: 100MΩ Min.
 .TEMPERATURE RANGE: -40°C-+105°C

- 2.MATERIALS
 .HOUSING: High temperature plastic,UL94 V-0
 .SHELL: Copper alloy.
 .CONTACT: Copper alloy.

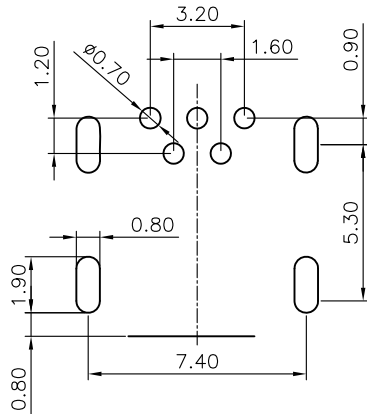
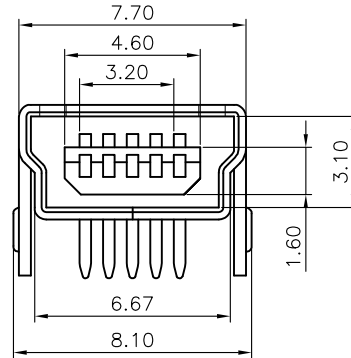
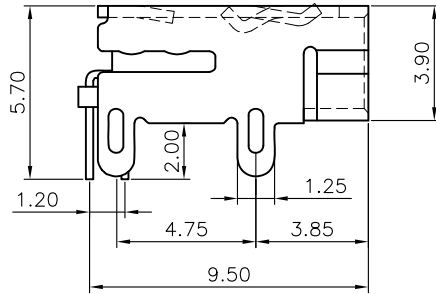
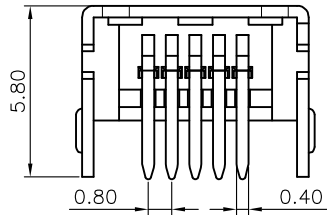
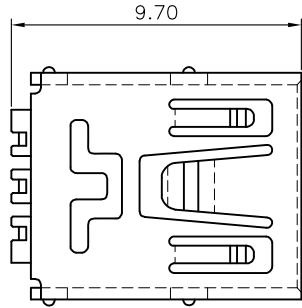
- 3.PRODUCT NUMBER CODE:
 DS1104-03 - X X X X X
- Packing Type
 R: Tape On Reel
 B: Tube
 T: Tray
 - Boardlock type
 S: Straight type
 B: Bend type
 - Contact plating
 0: Selective gold flash
 C: Selective 3u" gold
 - Shell plating
 6: Full Matt Tin
 N: Full Nickel
 8: Full Gold
 - Color of housing
 B: BLACK



Recommend PCB Layout
 Tolerance=±0.05

GENERAL TOLERANCE		ANGLE TOLERANCE		PROJECTION		TITLE	MINI USB 5 Positions				
X.	±0.60	X.	±5°	UNITS	mm		FEMALE V/T TYPE				
.X	±0.38	.X	±3°	SHEET SIZE	A4	SERIES	DS1104-03 SERIES				
.XX	±0.25	.XX	±2°								
DRAWING TYPE		CUSTOMER			晨翔电子有限公司 CONNFLY CONNFLY ELECTRONIC CO. LTD						
SCALE		1:1	SHEET							1 OF 1	
DRAWING NO.		C-DS1104-03-XXXXX									

REV.	DESCRIPTION	DRAWN	CHECKED	APPROVED
A	NEW RELEASE	LJC 06/01/11'		



Recommend PCB Layout
Tolerance=±0.03

NOTES:

1.SPECIFICATIONS

- .VOLTAGE RATING: 30V(DC)
- .DIELECTRIC WITHSTANDING VOLTAGE: 100VAC 1 minute.
- .CONTACT RESISTANCE: 50mΩ Max.
- .INSULATION RESISTANCE: 100MΩ Min.
- .TEMPERATURE RANGE: -40°C+105°C

2.MATERIALS

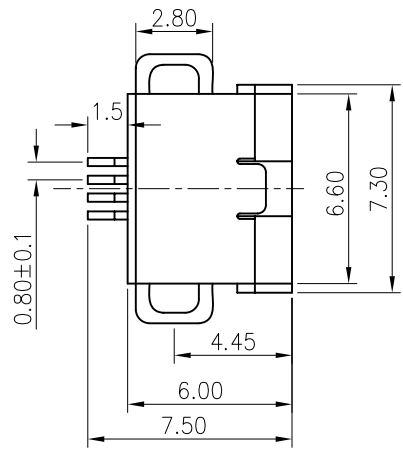
- .HOUSING: High temperature plastic,UL94 V-0,Color of black.
- .SHELL: Copper alloy.
- .CONTACT: Copper alloy.

3.PRODUCT NUMBER CODE:

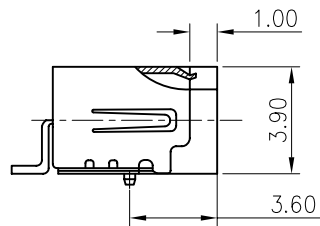
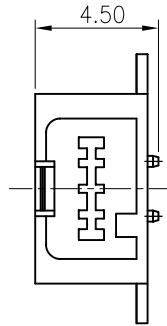
- DS1104-02 - X X X X X
- X: Packing Type
R: Tape On Reel
B: Tube
T: Tray
 - X: Mylar Support
S: W/ Mylar
X: W/O Mylar
 - X: Contact plating
O: Selective gold flash
C: Selective 3u" gold
 - X: Shell plating
6: Full Matt Tin
N: Full Nickel
8: Full Gold
 - X: Color of housing
B: BLACK

GENERAL TOLERANCE	ANGLE TOLERANCE	PROJECTION		TITLE	MINI USB 5 Positions FEMALE R/A TYPE
X. ±0.60	X. ±5°	UNITS	mm		
.X ±0.38	.X ±3°	SHEET SIZE	A4	SERIES	DS1104-02 SERIES
.XX ±0.25	.XX ±2°	晨翔电子有限公司 CONNFLY CONNFLY ELECTRONIC CO. LTD			
DRAWING TYPE	CUSTOMER				
SCALE	1:1 SHEET 1 OF 1				
DRAWING NO.	C-DS1104-02-XXXXX				

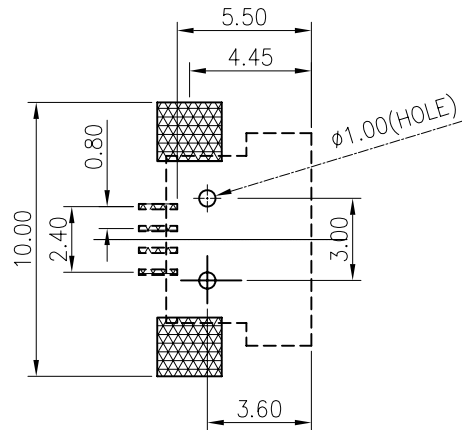
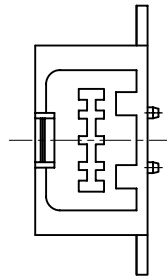
REV.	DESCRIPTION	DRAWN	CHECKED	APPROVED
A	NEW RELEASE	LJH 05/10/05'		



Mating face type 1



Mating face type 2



RECOMMEND PCB LAYOUT(TOLERANCE=±0.05)

NOTES:

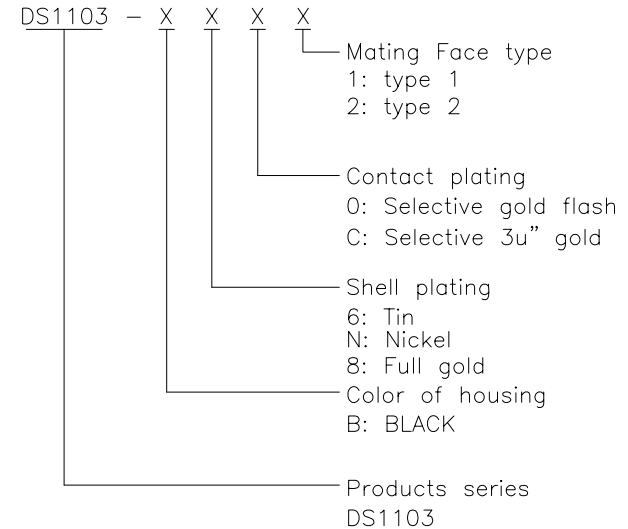
1.SPECIFICATIONS

- .CURRENT RATING: 0.5A/pin Max.
- .VOLTAGE RATING: 30V(DC)
- .DIELECTRIC WITHSTANDING VOLTAGE: 100VAC 1 minute.
- .CONTACT RESISTANCE: 50mΩ Max.
- .INSULATION RESISTANCE: 100MΩ Min.
- .TEMPERATURE RANGE: -40°C--+105°C

2.MATERIALS

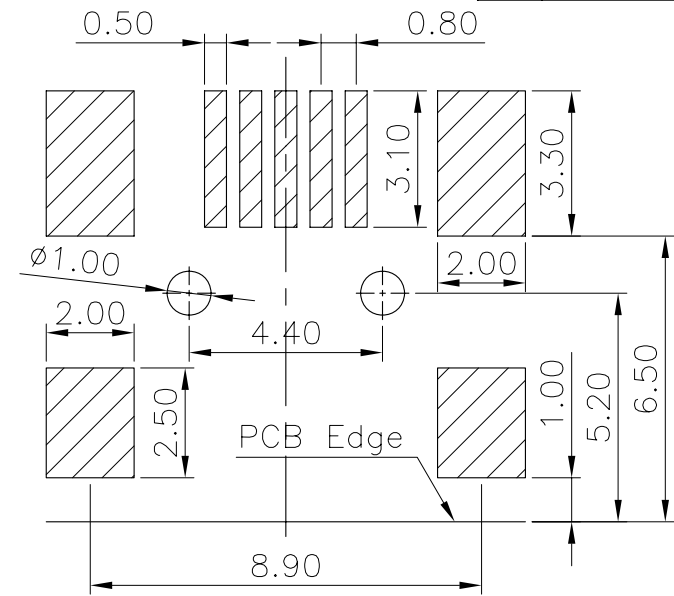
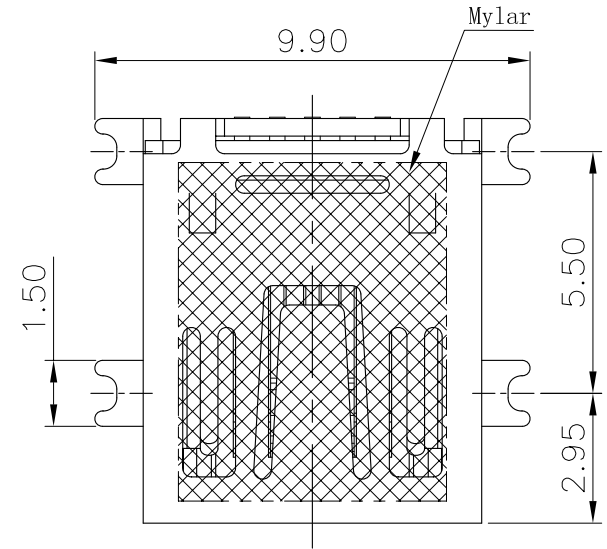
- .HOUSING: High temperature plastic.
- .SHELL: Copper alloy.
- .CONTACT: Copper alloy.

3.PRODUCT NUMBER CODE:



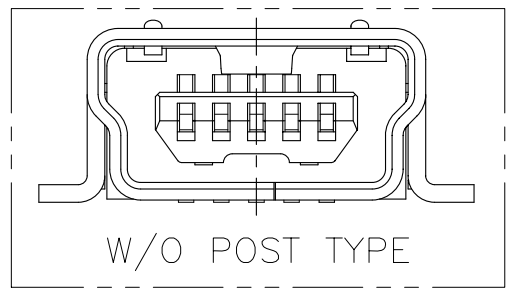
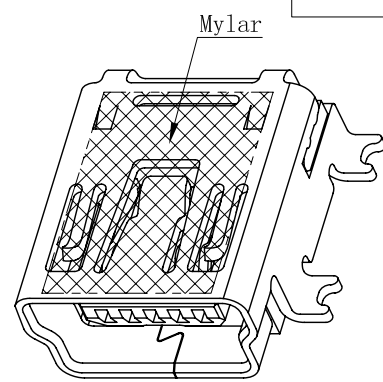
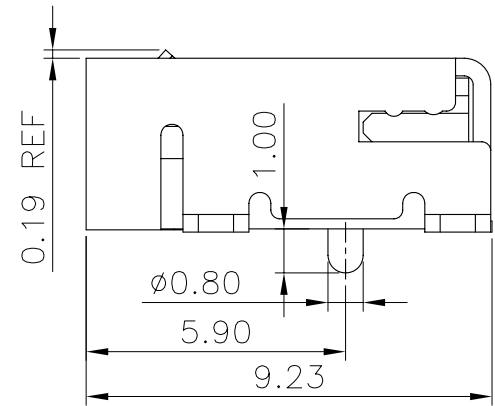
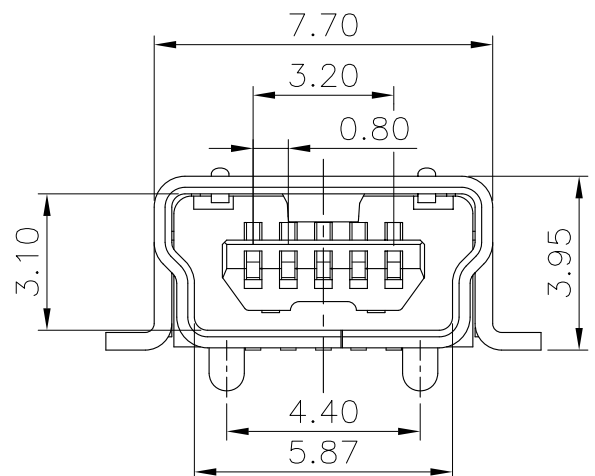
GENERAL TOLERANCE		ANGLE TOLERANCE		PROJECTION		TITLE	MINI USB 4PIN SMT Female SINGLE TYPE	
X.	±0.60	X.	±5°	UNITS	mm			
.X	±0.38	.X	±3°	SHEET SIZE	A4	SERIES	DS1103	
.XX	±0.25	.XX	±2°					
DRAWING TYPE		CUSTOMER			晨翔电子有限公司 CONNFLY CONNFLY ELECTRONIC CO. LTD			
SCALE		1:1	SHEET 1 OF 1					
DRAWING NO.		C-DS1103-XXXX						

REV.	DESCRIPTION	DRAWN	CHECKED	APPROVED
A	NEW RELEASE	YCH 10/21/08'	~	



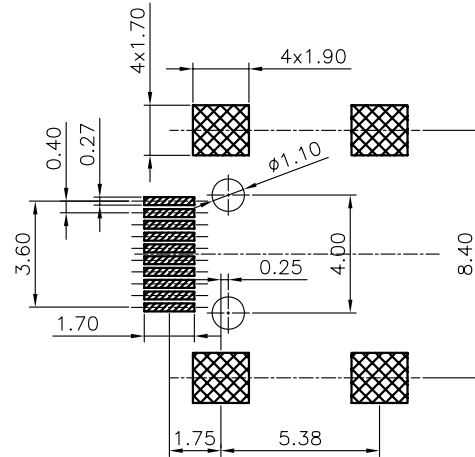
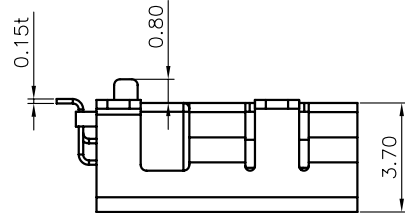
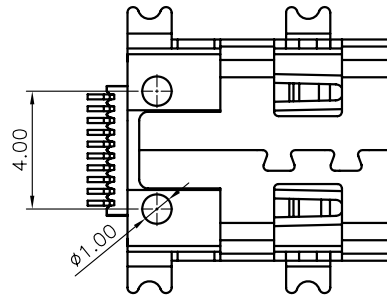
- NOTES:
- SPECIFICATIONS
 - CONTACT RESISTANCE: 50m Ω Max.
 - INSULATOR RESISTANCE: 100M Ω Min.
 - DIELECTRIC STRENGTH: 100VAC FOR 1 Minute.
 - DURABILITY: 5000 CYCLES.
 - PRODUCT NUMBER CODE:
DS1104 - X X X X X X
 - POST SUPPORT
S: W/ POST
X: W/O POST
 - PACKING TYPE
R: TAPE ON REEL
B: TUBE
 - MYLAR SUPPORT
S: W/ MYLAR
X: W/O MYLAR
 - CONTACT PLATING
0: SELECTIVE GOLD FLASH
C: SELECTIVE 3u" GOLD
 - SHELL PLATING
6: FULL MATT TIN (RECOMMENDED)
8: FULL GOLD
 - COLOR OF HOUSING
B: BLACK

RECOMMEND PCB LAYOUT (TOLERANCE = ± 0.05)

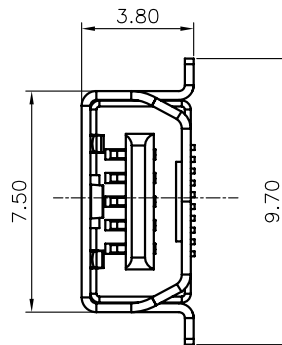
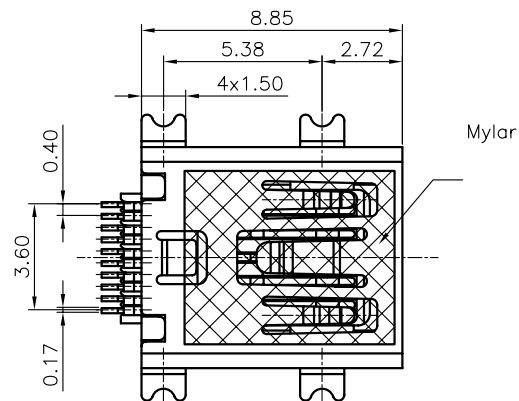


GENERAL TOLERANCE		ANGLE TOLERANCE		PROJECTION	TITLE	
X.	± 0.60	X.	$\pm 5^\circ$		MINI USB B TYPE 5 pos. RECEPTACLE SMT TYPE	
.X	± 0.38	.X	$\pm 3^\circ$	UNITS	mm	
.XX	± 0.25	.XX	$\pm 2^\circ$	SHEET SIZE	A4	SERIES DS1104 SERIES
DRAWING TYPE		CUSTOMER		晨翔电子有限公司 CONNFLY CONNFLY ELECTRONIC CO. LTD		
SCALE		1:1				
DRAWING NO.		C-DS1104-XXXXXX				
		SHEET		1 OF 1		

REV.	DESCRIPTION	DRAWN	CHECKED	APPROVED
A	NEW RELEASE	LJC 06/01/11'		



Recommend PCB Layout
Tolerance = ± 0.03



NOTES:

1.SPECIFICATIONS

- .CURRENT RATING: 0.5A/pin Max.
- .VOLTAGE RATING: 30V(DC)
- .DIELECTRIC WITHSTANDING VOLTAGE: 100VAC 1 minute.
- .CONTACT RESISTANCE: 50m Ω Max.
- .INSULATION RESISTANCE: 100M Ω Min.
- .TEMPERATURE RANGE: -40°C-+105°C

2.MATERIALS

- .HOUSING: High temperature plastic,UL94 V-0,Color of black.
- .SHELL: Copper alloy.
- .CONTACT: Copper alloy.


3.PRODUCT NUMBER CODE:

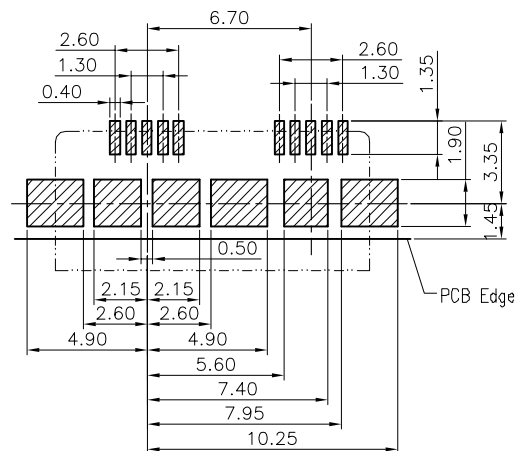
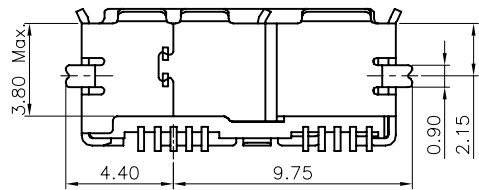
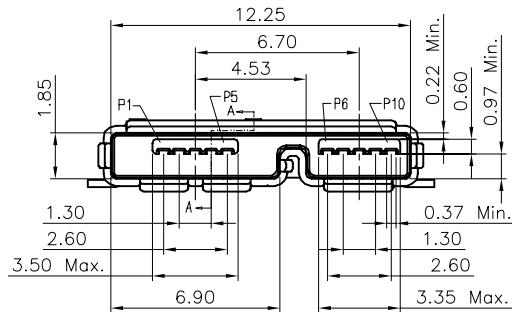
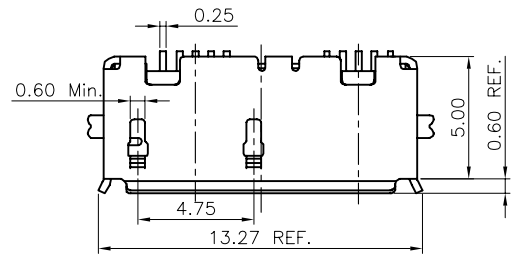
- DS1104-04 - X X X X X
- X Packing Type
 - R Tape On Reel
 - B Tube
 - Mylar Support
 - S W/ Mylar
 - X W/O Mylar
 - Contact plating
 - 0 Selective gold flash
 - C Selective 3u" gold
 - 3 Selective 30u" gold
 - Shell plating
 - 6 Full Matt Tin
 - N Full Nickel
 - 8 Full Gold
 - Color of housing
 - B BLACK

GENERAL TOLERANCE		ANGLE TOLERANCE	
X.	± 0.60	X.	$\pm 5^\circ$
.X	± 0.38	.X	$\pm 3^\circ$
.XX	± 0.25	.XX	$\pm 2^\circ$

DRAWING TYPE	CUSTOMER		
SCALE	1:1	SHEET	1 OF 1
DRAWING NO.	C-DS1104-04-XXXXX		

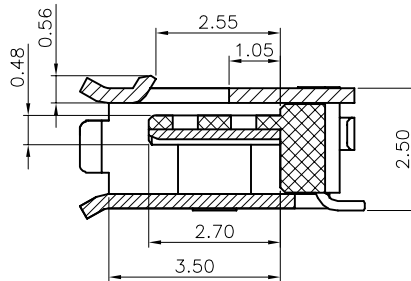
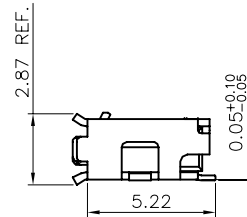
PROJECTION	TITLE	MINI USB 10 Positions FEMALE SMT TYPE	
UNITS	mm	SERIES	DS1104-04 SERIES


晨翔电子有限公司
CONNFLY CONNFLY ELECTRONIC CO. LTD



RECOMMEND PCB LAYOUT
(TOLERANCE=±0.05)

Pin Number	Signal Name
1	VBUS
2	D-
3	D+
4	ID
5	GND
6	MicA_SSTX-
7	MicA_SSTX+
8	GND_DRAIN
9	MicA_SSRX-
10	MicA_SSRX+



SECTION: A-A
SCALE: 2:1

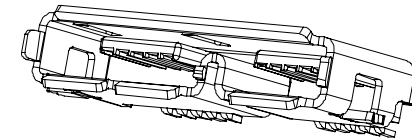
REV.	DESCRIPTION	DRAWN	CHECKED	APPROVED
A	NEW RELEASE	YCH 09/07/10'	~	

NOTES:

- INSULATOR RESISTANCE: 100MΩ Min. AT 100V DC.
- CONTACT RESISTANCE: 50mΩ MAX.
- CURRENT RATING: 1.8A (ONLY PIN1 AND PIN5)
0.25A FOR ALL OTHER PINS.
- DIELECTRIC STRENGTH: AC 100V FOR 1 Minute.
- HOUSING: THERMOPLASTIC (UL 94-0).
- CONTACT: COPPER ALLOY
- SHELL: COPPER ALLOY.
- PRODUCT NUMBER CODE:

DS1104-01 - X X X


- CONTACT PLATED:
 - 0: Selective Gold Flash
 - C: 3u" Gold
 - 3: 30u" Gold
- SHELL PLATED:
 - N: Nickel
 - 6: Tin
- COLOR OF HOUSING:
 - L: Blue
 - W: White
 - B: Black



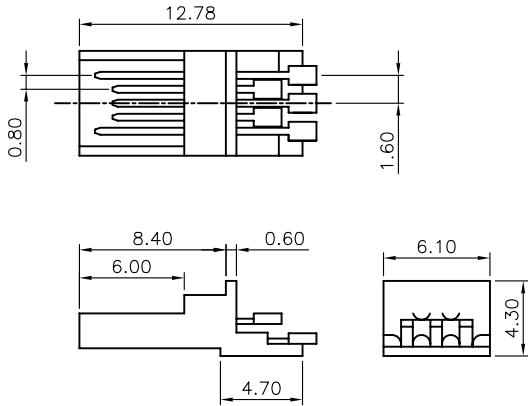
GENERAL TOLERANCE		ANGLE TOLERANCE	
X.	±0.60	X.	±5°
.X	±0.38	.X	±3°
.XX	±0.25	.XX	±2°

DRAWING TYPE	CUSTOMER		
SCALE	1:1	SHEET	1 OF 1
DRAWING NO.	C-DS1104-01-XXX		

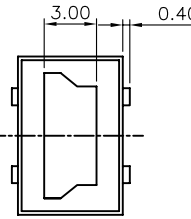
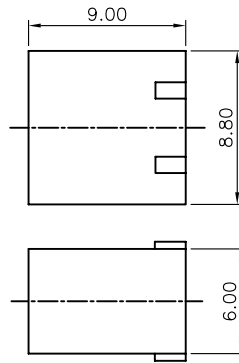
PROJECTION	TITLE	MICRO USB 3.0 FEMALE 10P SMT TYPE	
UNITS	mm	SHEET SIZE	A4
SHEET SIZE	A4	SERIES	DS1104-01 SERIES

 晨翔电子有限公司
CONNPLY CONNPLY ELECTRONIC CO. LTD

REV.	DESCRIPTION	DRAWN	CHECKED	APPROVED
A	NEW RELEASE	LJH 05/09/05'		



Housing with contact



Hood

NOTES:

1.SPECIFICATIONS

- .CURRENT RATING: 0.5A/pin Max.
- .VOLTAGE RATING: 30V(DC)
- .DIELECTRIC WITHSTANDING VOLTAGE: 100VAC 1 minute.
- .CONTACT RESISTANCE: 50mΩ Max.
- .INSULATION RESISTANCE: 100MΩ Min
- .TEMPERATURE RANGE: -40°C+105°C

2.MATERIALS

- .HOUSING: PBT.
- .HOOD: ABS.
- .SHELL: STEEL
- .CONTACT: COPPER ALLOY

3.PRODUCT NUMBER CODE:

DS1105-01 - X X X X

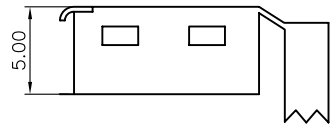
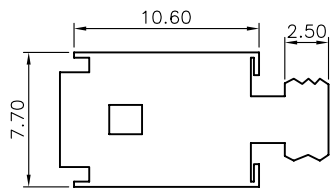
- Contact plating
- 0: Selective gold flash
- C: Selective 3u" gold
- 3: Selective 30u" gold

- Shell plating
- 6: Tin
- N: Nickel
- 8: Full gold

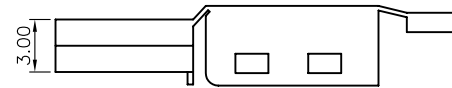
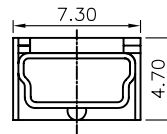
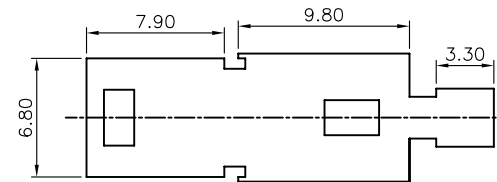
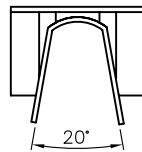
- Color of Hood
- B: BLACK

- Color of housing
- B: BLACK

- Products series
- DS1105-01

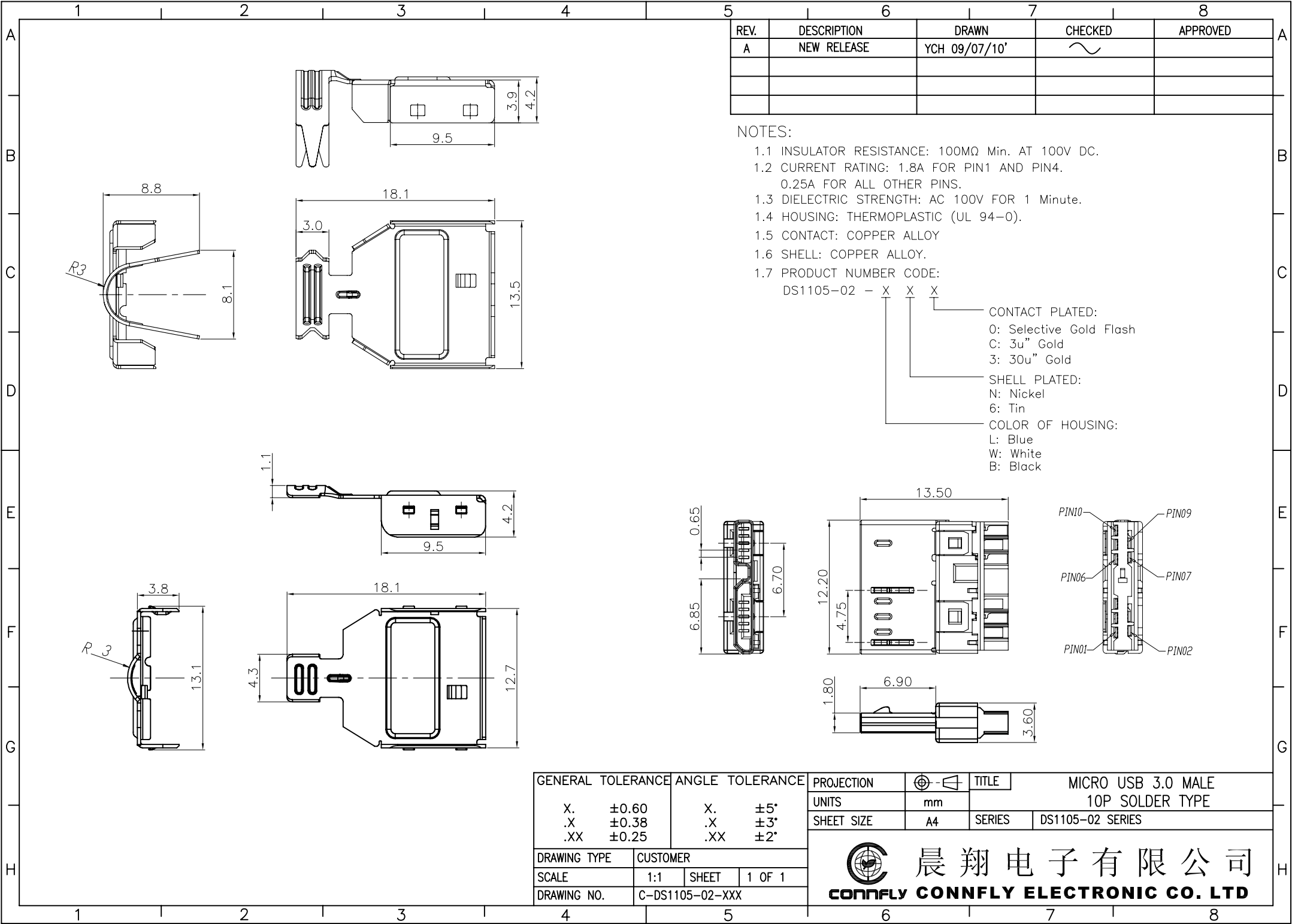


Upper shell



Down shell

GENERAL TOLERANCE		ANGLE TOLERANCE		PROJECTION		TITLE
X.	±0.60	X.	±5°	UNITS	mm	MINI USB 5PIN B TYPE MALE SOLDER
.X	±0.38	.X	±3°	SHEET SIZE	A4	SERIES DS1105-01 SERIES
.XX	±0.25	.XX	±2°			
DRAWING TYPE		CUSTOMER		晨翔电子有限公司 CONNFLY CONNFLY ELECTRONIC CO. LTD		
SCALE		1:1	SHEET 1 OF 1			
DRAWING NO.		C-DS1105-01-XXX				



REV.	DESCRIPTION	DRAWN	CHECKED	APPROVED
A	NEW RELEASE	YCH 09/07/10'	~	

- NOTES:
- INSULATOR RESISTANCE: 100MΩ Min. AT 100V DC.
 - CURRENT RATING: 1.8A FOR PIN1 AND PIN4.
0.25A FOR ALL OTHER PINS.
 - DIELECTRIC STRENGTH: AC 100V FOR 1 Minute.
 - HOUSING: THERMOPLASTIC (UL 94-0).
 - CONTACT: COPPER ALLOY
 - SHELL: COPPER ALLOY.
 - PRODUCT NUMBER CODE:
DS1105-02 - X X X
- CONTACT PLATED:
 0: Selective Gold Flash
 C: 3u" Gold
 3: 30u" Gold
- SHELL PLATED:
 N: Nickel
 6: Tin
- COLOR OF HOUSING:
 L: Blue
 W: White
 B: Black

GENERAL TOLERANCE		ANGLE TOLERANCE		PROJECTION		TITLE	MICRO USB 3.0 MALE	
X.	±0.60	X.	±5°	UNITS	mm		10P SOLDER TYPE	
.X	±0.38	.X	±3°	SHEET SIZE	A4	SERIES	DS1105-02 SERIES	
.XX	±0.25	.XX	±2°	晨翔电子有限公司 CONNFLY ELECTRONIC CO. LTD				
DRAWING TYPE		CUSTOMER						
SCALE	1:1	SHEET	1 OF 1					
DRAWING NO.		C-DS1105-02-XXX						