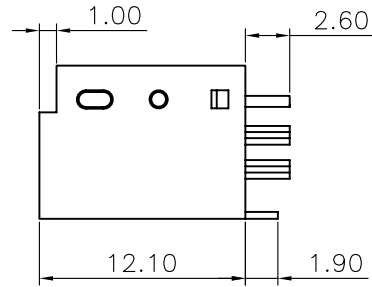
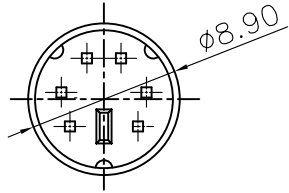


REV.	DESCRIPTION	DRAWN	CHECKED	APPROVED
A	NEW RELEASE	LL 07/23/06'		

Male

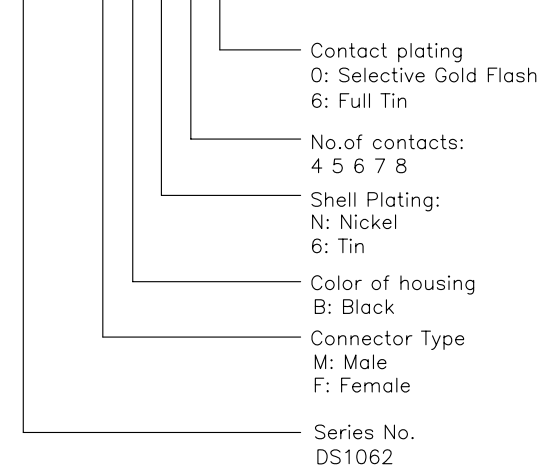


NOTES:

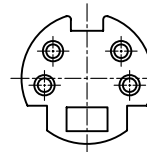
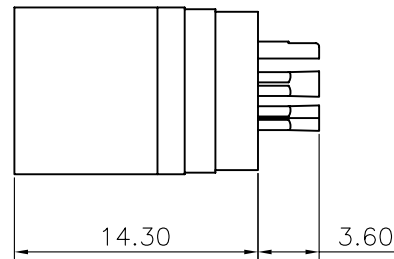
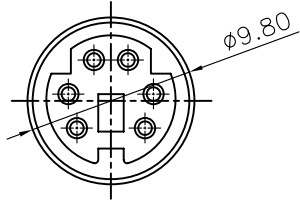
- SPECIFICATIONS:
 - VOLTAGE RATING: 30V DC.
 - CONTACT CURRENT RATING: 1A MAX. PER PIN.
 - CONTACT RESISTANCE: 30 mΩ MAX.
 - DIELECTRIC WITHSTANDING VOLTAGE: 500V AC(rms) FOR 1 MINUTE.
 - INSULATION RESISTANCE: 1000 MΩ MIN.
 - OPERATING TEMPERATURE: -40°C~+105°C.

2. PRODUCT NUMBER CODE:

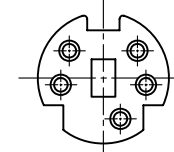
DS1062 - X X X X X



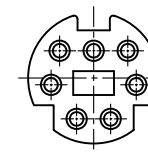
Female



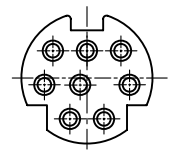
4 PIN



5 PIN



7 PIN

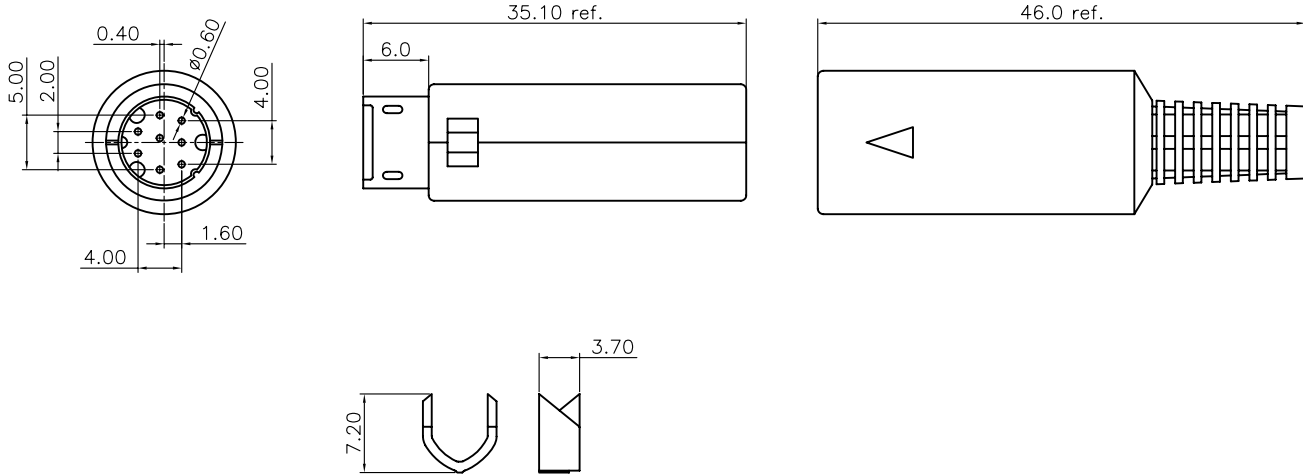


8 PIN

OTHER PINS FIGURE

GENERAL TOLERANCE		ANGLE TOLERANCE		PROJECTION		TITLE	MINI DIN TYPE	
X.	±0.60	X.	±5°	UNITS	mm			
.X	±0.38	.X	±3°	SHEET SIZE	A4	SERIES	DS1062 SERIES	
.XX	±0.25	.XX	±2°	晨翔电子有限公司 CONNFLY CONNFLY ELECTRONIC CO. LTD				
DRAWING TYPE		CUSTOMER						
SCALE	1:1	SHEET	1 OF 1					
DRAWING NO.		C-DS1062-XXXXX						

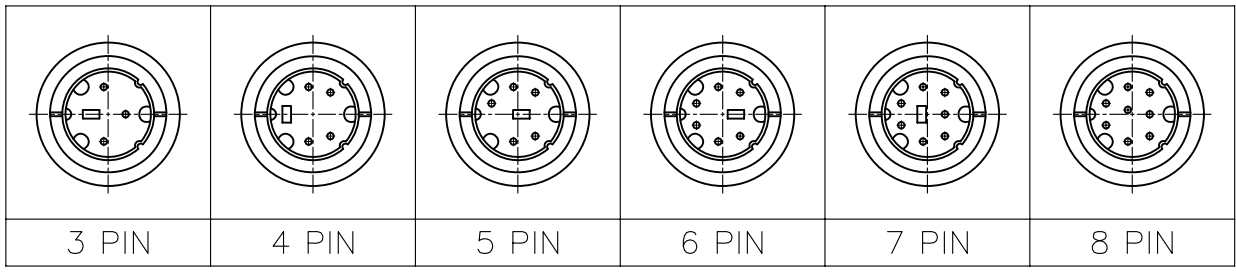
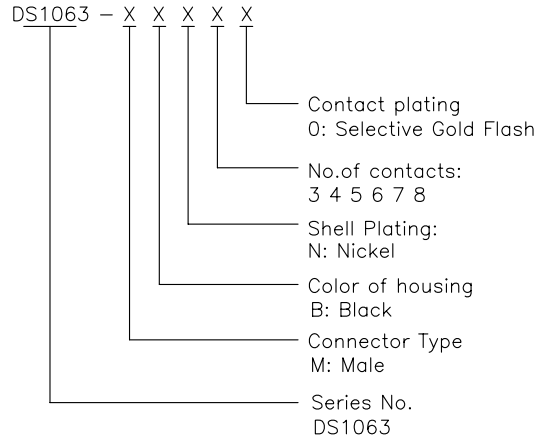
REV.	DESCRIPTION	DRAWN	CHECKED	APPROVED
A	NEW RELEASE	YCH 07/17/12'		



NOTES:

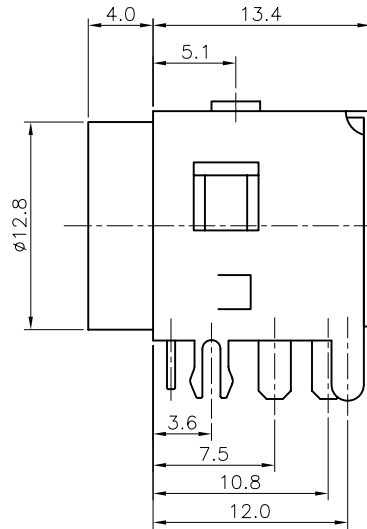
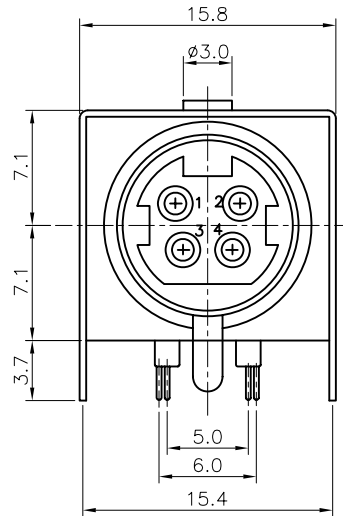
- SPECIFICATIONS:
 - CONTACT CURRENT RATING: 1A MAX. PER PIN.
 - CONTACT RESISTANCE: 30 mΩ MAX.
 - DIELECTRIC WITHSTANDING VOLTAGE: 500V AC FOR 1 MINUTE.
 - INSULATION RESISTANCE: 1000 MΩ MIN.
 - OPERATING TEMPERATURE: -40°C~+105°C.

2. PRODUCT NUMBER CODE:



GENERAL TOLERANCE		ANGLE TOLERANCE		PROJECTION		TITLE	MALE MINI DIN WITH SR TYPE	
X.	±0.60	X.	±5°	UNITS	mm			
.X	±0.38	.X	±3°	SHEET SIZE	A4	SERIES	DS1063 SERIES	
.XX	±0.25	.XX	±2°	晨翔电子有限公司 CONNFLY CONNFLY ELECTRONIC CO. LTD				
DRAWING TYPE		CUSTOMER						
SCALE		1:1	SHEET 1 OF 1					
DRAWING NO.		C-DS1063-XXXXX						

REV.	DESCRIPTION	DRAWN	CHECKED	APPROVED
A	NEW RELEASE	LJH11/16/05'		



NOTES:

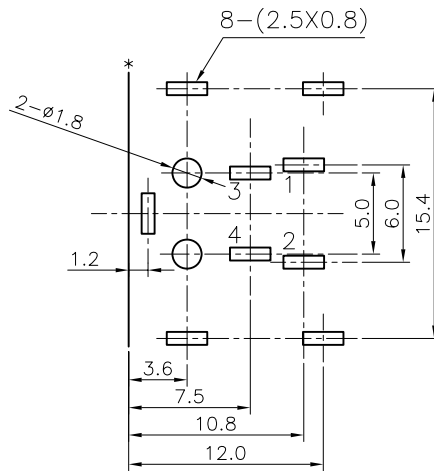
1. SPECIFICATIONS:

- 1.0 VOLTAGE RATING: 30V DC.
- 1.1 CONTACT CURRENT RATING: 1A MAX. PER PIN.
- 1.2 CONTACT RESISTANCE: 30 MILLIOHMS MAX.
- 1.3 DIELECTRIC WITHSTANDING VOLTAGE: 500V AC(rms) FOR 1 MINUTE.
- 1.4 INSULATION RESISTANCE: 1000 MEGAOHMS MIN.
- 1.5 OPERATING TEMPERATURE: -40°C~+105°C.

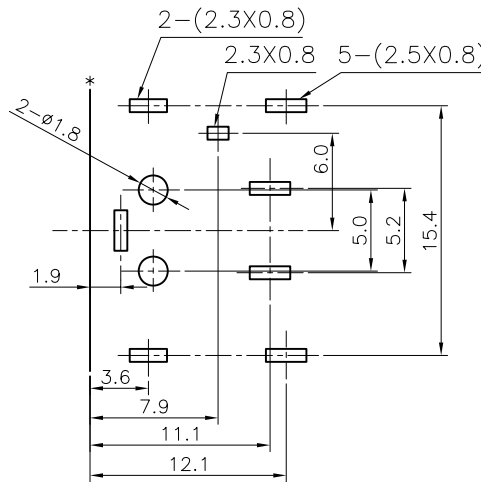
2. PRODUCT NUMBER CODE:

DS1093-05 - X X X X X

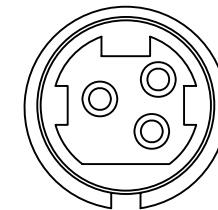
- Shell support
- X: W/O Shell
- S: W/ Shell
- Contact plating
- 0: Selective Gold Flash
- No.of contacts:
- 4: 4 pin
- 3: 3 pin
- Shell Plating:
- N: Nickel
- 6: Tin
- Color of housing
- B: Black
- Series No.
- DS1093-05



FOR 4PIN ONLY
RECOMMEND PCB LAYOUT
(TOLERANCE=±0.05)



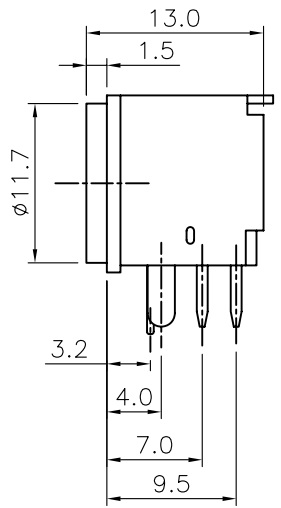
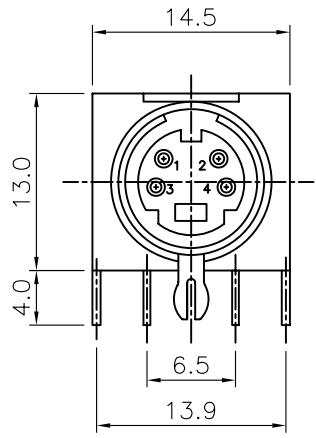
FOR 3PIN ONLY
RECOMMEND PCB LAYOUT
(TOLERANCE=±0.05)



3 pin

GENERAL TOLERANCE		ANGLE TOLERANCE		PROJECTION		TITLE	MINI DIN 422 TYPE	
X.	±0.60	X.	±5°	UNITS	mm			
.X	±0.38	.X	±3°	SHEET SIZE	A4	SERIES	DS1093-05 SERIES	
.XX	±0.25	.XX	±2°	晨翔电子有限公司 CONNFLY CONNFLY ELECTRONIC CO. LTD				
DRAWING TYPE		CUSTOMER						
SCALE		1:1	SHEET 1 OF 1					
DRAWING NO.		C-DS1093-05-XXXXX						

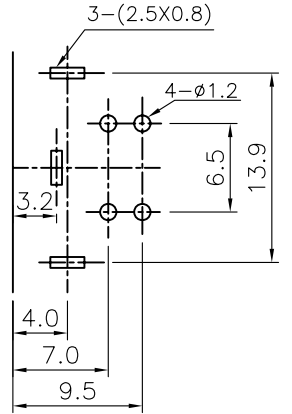
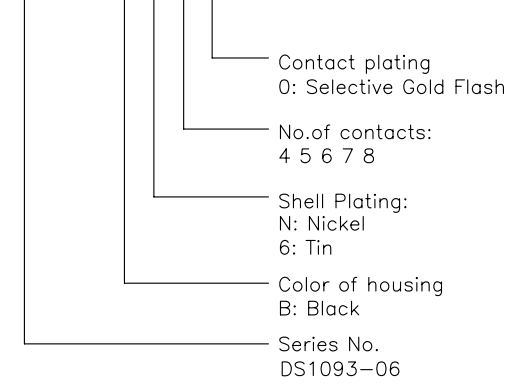
REV.	DESCRIPTION	DRAWN	CHECKED	APPROVED
A	NEW RELEASE	LJH07/17/05'		



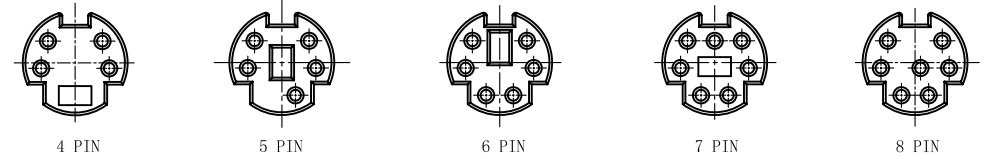
NOTES:

- SPECIFICATIONS:
 - VOLTAGE RATING: 30V DC.
 - CONTACT CURRENT RATING: 1A MAX. PER PIN.
 - CONTACT RESISTANCE: 30 MILLIOHMS MAX.
 - DIELECTRIC WITHSTANDING VOLTAGE: 500V AC(rms) FOR 1 MINUTE.
 - INSULATION RESISTANCE: 1000 MEGAOHMS MIN.
 - OPERATING TEMPERATURE: -40°C~+105°C.
- PRODUCT NUMBER CODE:

DS1093-06 - X X X X



RECOMMEND PCB LAYOUT(TOLERANCE=±0.05)



GENERAL TOLERANCE		ANGLE TOLERANCE		PROJECTION		TITLE	MINI DIN 801 TYPE	
X.	±0.60	X.	±5°	UNITS	mm			
.X	±0.38	.X	±3°	SHEET SIZE	A4	SERIES	DS1093-06 SERIES	
.XX	±0.25	.XX	±2°	晨翔电子有限公司 CONNFLY CONNFLY ELECTRONIC CO. LTD				
DRAWING TYPE		CUSTOMER						
SCALE	1:1	SHEET	1 OF 1					
DRAWING NO.		C-DS1093-06-XXXX						

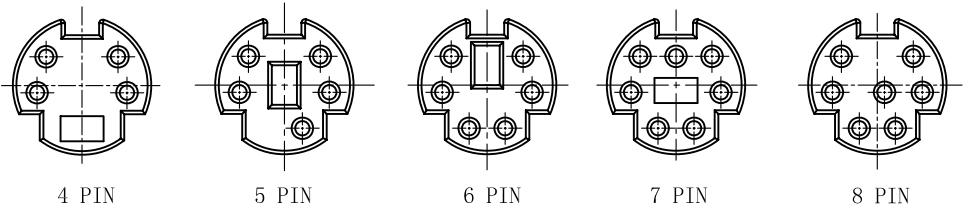
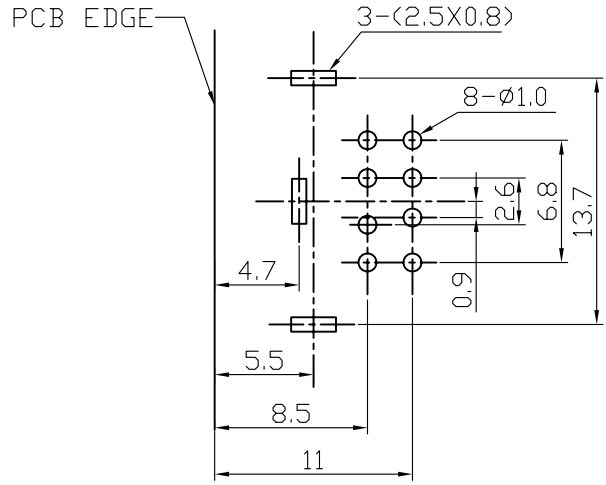
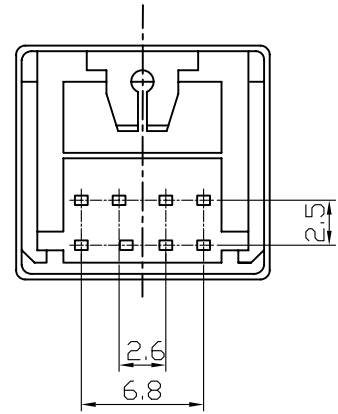
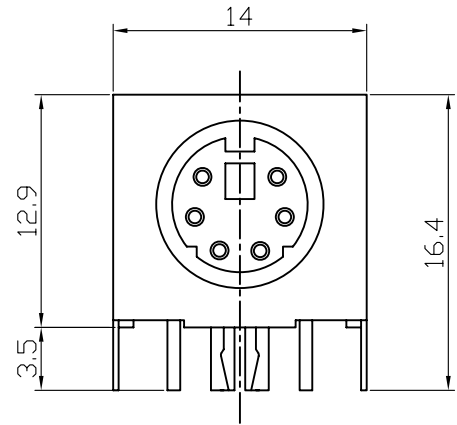
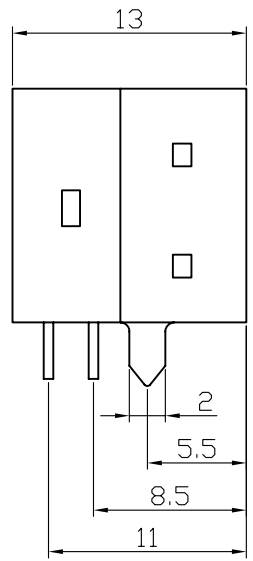
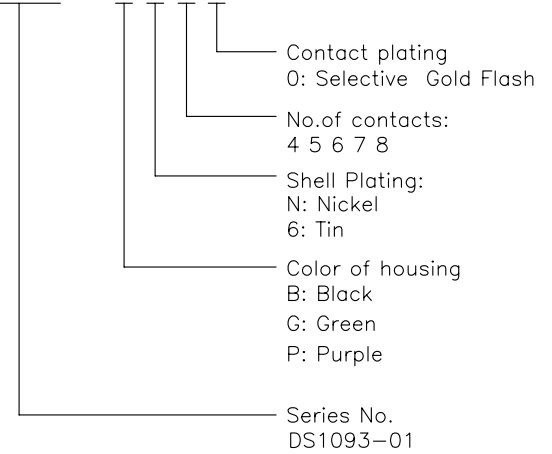
REV.	DESCRIPTION	DRAWN	CHECKED	APPROVED
A	NEW RELEASE	HP 06/10/05'		

NOTES:

- SPECIFICATIONS:
 - VOLTAGE RATING: 30V DC.
 - CONTACT CURRENT RATING: 1A MAX. PER PIN.
 - CONTACT RESISTANCE: 30 MILLIOHMS MAX.
 - DIELECTRIC WITHSTANDING VOLTAGE: 500V AC(rms) FOR 1 MINUTE.
 - INSULATION RESISTANCE: 1000 MEGAOHMS MIN.
 - OPERATING TEMPERATURE: -40°C~+105°C.

2. PRODUCT NUMBER CODE:

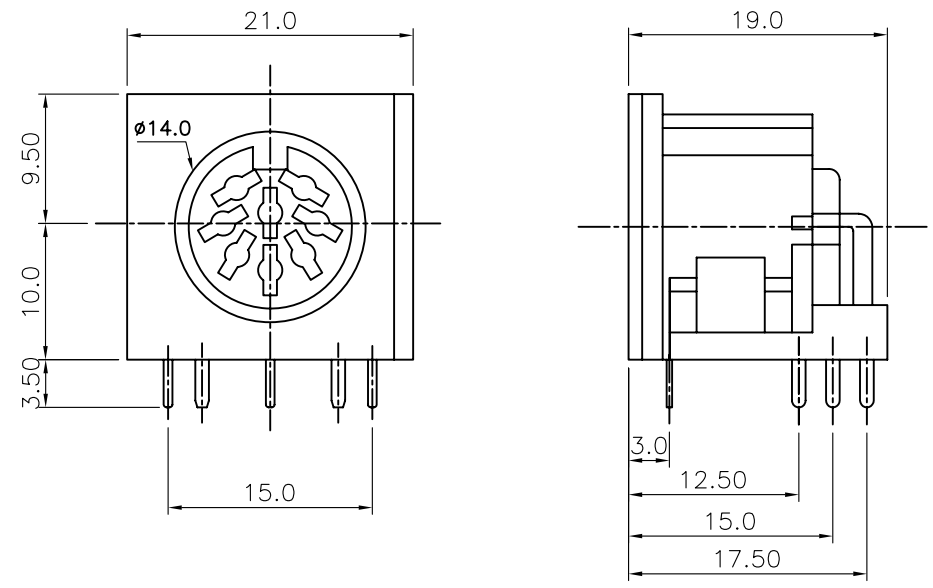
DS1093-01 - X X X X



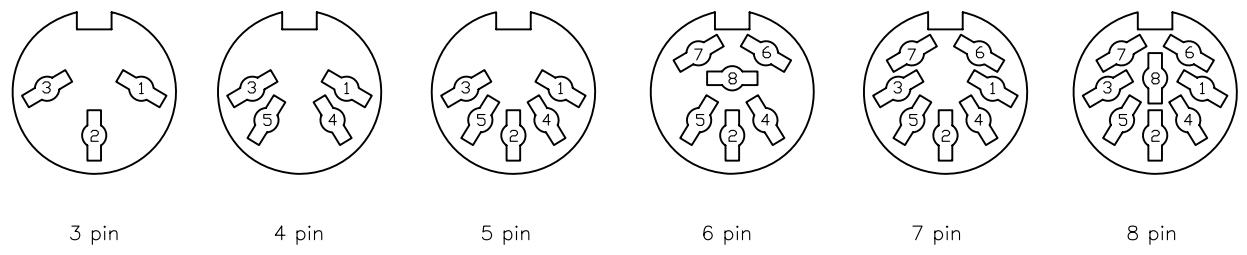
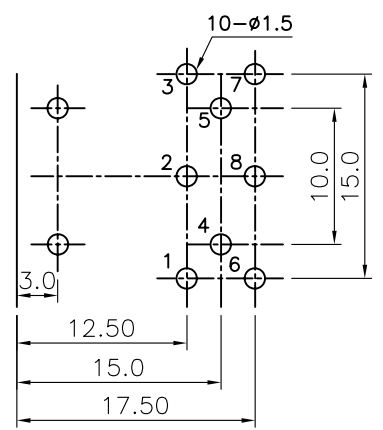
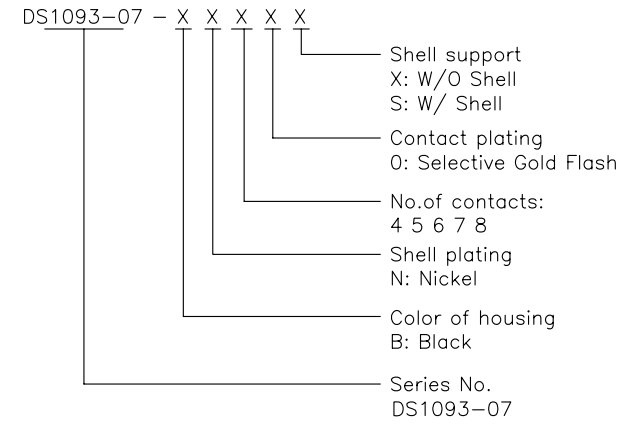
RECOMMEND PCB LAYOUT(TOLERANCE=±0.05)

GENERAL TOLERANCE	ANGLE TOLERANCE	PROJECTION		TITLE	MINI DIN 803 TYPE	
X. ±0.60	X. ±5°	UNITS	mm	SHEET SIZE	A4	SERIES DS1093-01 SERIES
.X ±0.38	.X ±3°	晨翔电子有限公司 CONNFLY CONNFLY ELECTRONIC CO. LTD				
.XX ±0.25	.XX ±2°					
DRAWING TYPE	CUSTOMER					
SCALE	1:1	SHEET	1 OF 1			
DRAWING NO.	C-DS1093-01-XXXXX					

REV.	DESCRIPTION	DRAWN	CHECKED	APPROVED
A	NEW RELEASE	LJH07/18/05'		



- NOTES:
- SPECIFICATIONS:
 - VOLTAGE RATING: 30V DC.
 - CONTACT CURRENT RATING: 1A MAX. PER PIN.
 - CONTACT RESISTANCE: 30 MILLIOHMS MAX.
 - DIELECTRIC WITHSTANDING VOLTAGE: 500V AC(rms) FOR 1 MINUTE.
 - INSULATION RESISTANCE: 1000 MEGAOHMS MIN.
 - OPERATING TEMPERATURE: -40°C~+105°C.
 - PRODUCT NUMBER CODE:



RECOMMEND PCB LAYOUT(TOLERANCE=±0.05)

GENERAL TOLERANCE	ANGLE TOLERANCE	PROJECTION		TITLE	MINI DIN 804 W/O SHELLTYPE	
X. ±0.60	X. ±5°	UNITS	mm	SERIES	DS1093-07 SERIES	
.X ±0.38	.X ±3°	SHEET SIZE	A4			
.XX ±0.25	.XX ±2°					
DRAWING TYPE	CUSTOMER					
SCALE	1:1	SHEET	1 OF 1			
DRAWING NO.	C-DS1093-07-XXXX					

晨翔电子有限公司
CONNFLY CONNFLY ELECTRONIC CO. LTD

REV.	DESCRIPTION	DRAWN	CHECKED	APPROVED
A	NEW RELEASE	LJH07/17/05'		

NOTES:

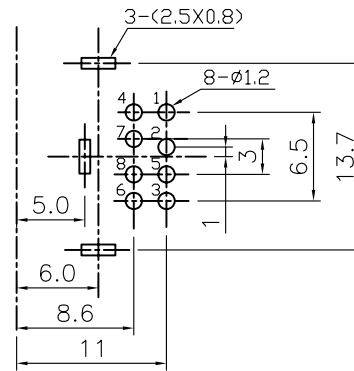
1. SPECIFICATIONS:

- 1.0 VOLTAGE RATING: 30V DC.
- 1.1 CONTACT CURRENT RATING: 1A MAX. PER PIN.
- 1.2 CONTACT RESISTANCE: 30 MILLIOHMS MAX.
- 1.3 DIELECTRIC WITHSTANDING VOLTAGE: 500V AC(rms) FOR 1 MINUTE.
- 1.4 INSULATION RESISTANCE: 1000 MEGAOHMS MIN.
- 1.5 OPERATING TEMPERATURE: -40°C~+105°C.

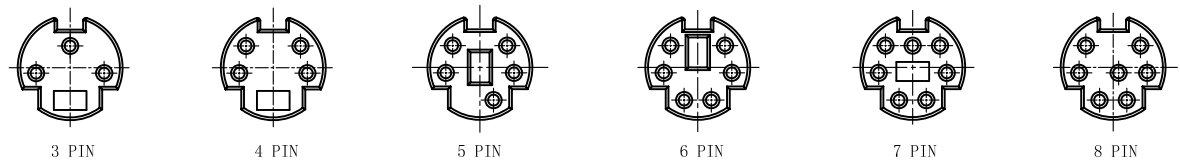
2. PRODUCT NUMBER CODE:

DS1093-04- X X X X X

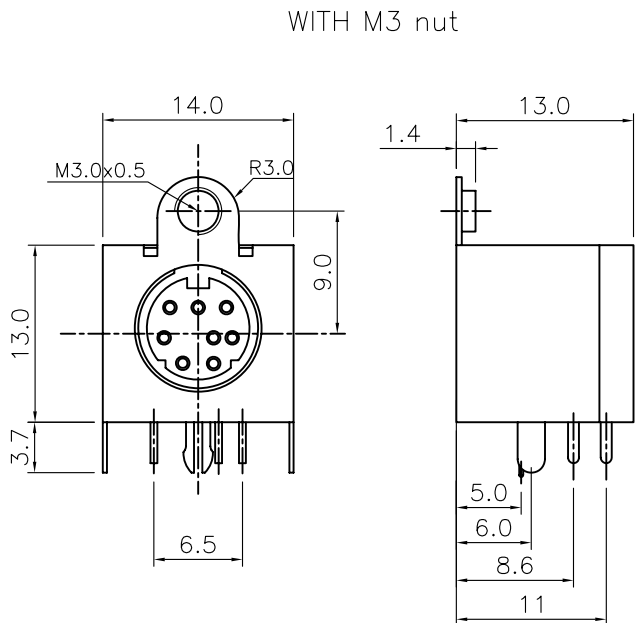
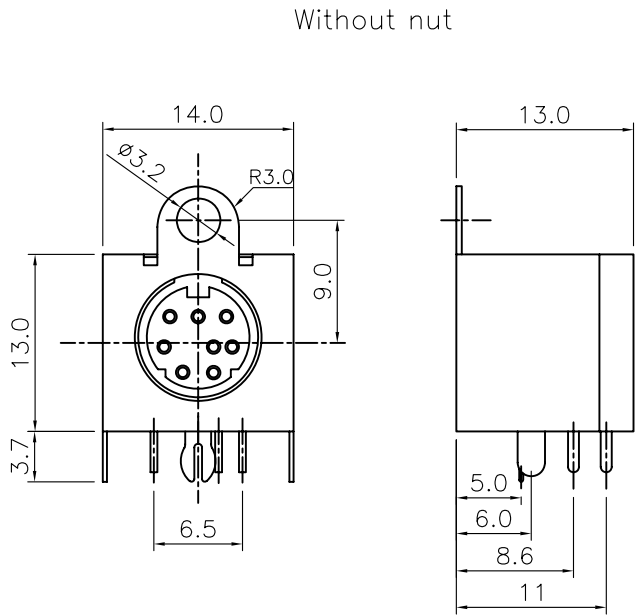
- Nut support
- X: W/O nut
- S: W/ nut(M3)
- Contact plating
- 0: Selective Gold Flash
- No.of contacts:
- 3 4 5 6 7 8
- Shell Plating:
- N: Nickel
- 6: Tin
- Color of housing
- B: Black
- Series No.
- DS1093-04



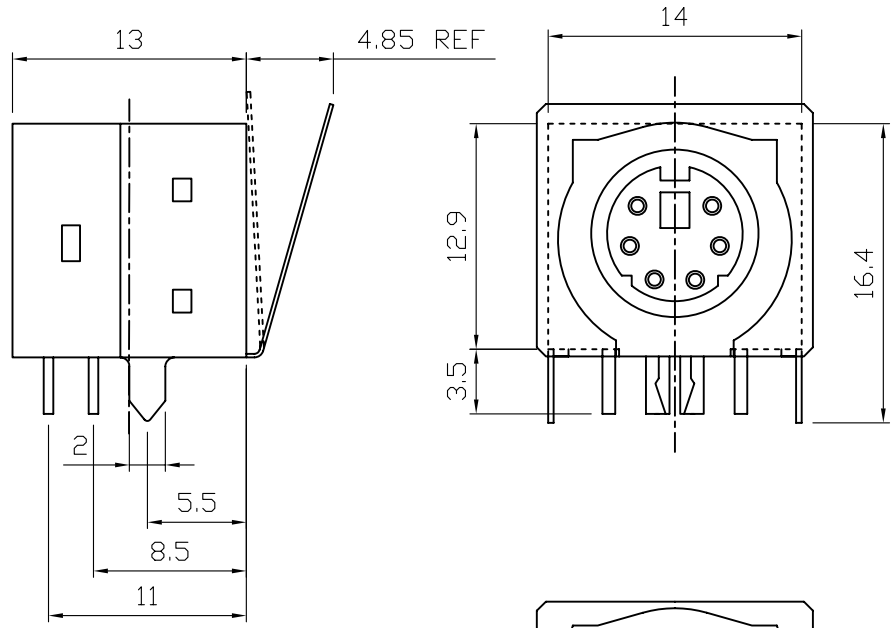
RECOMMEND PCB LAYOUT(TOLERANCE=±0.05)



GENERAL TOLERANCE		ANGLE TOLERANCE		PROJECTION		TITLE	MINI DIN 810 TYPE	
X.	±0.60	X.	±5°	UNITS	mm	SHEET	A4	
.X	±0.38	.X	±3°	SHEET SIZE	A4	SERIES	DS1093-04 SERIES	
.XX	±0.25	.XX	±2°	晨翔电子有限公司 CONNFLY CONNFLY ELECTRONIC CO. LTD				
DRAWING TYPE		CUSTOMER						
SCALE		1:1						
DRAWING NO.		C-DS1093-04-XXXXX						



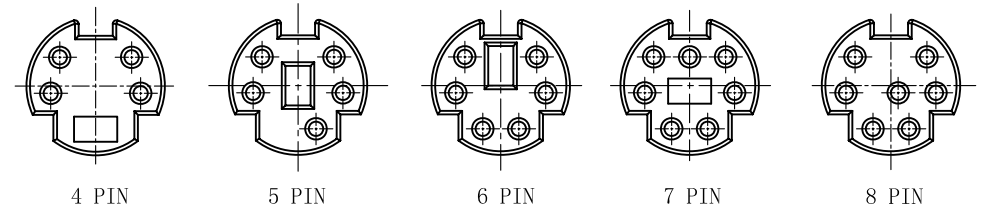
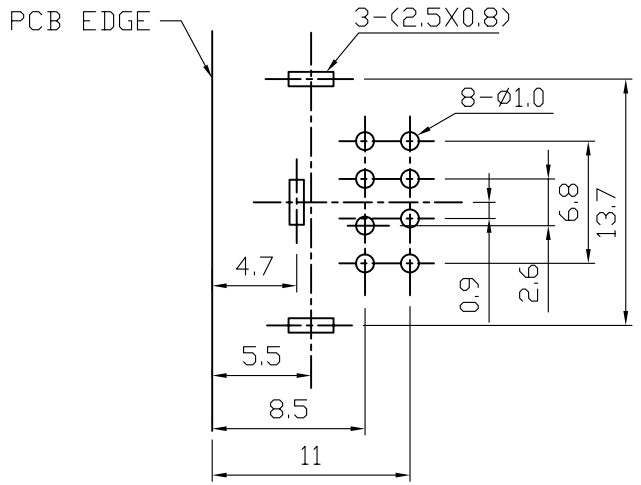
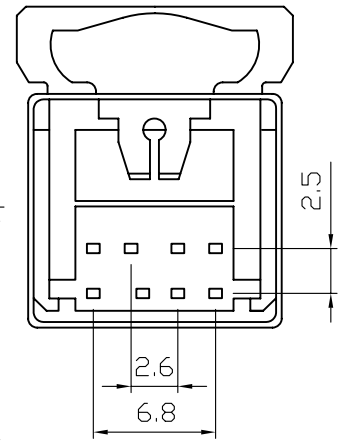
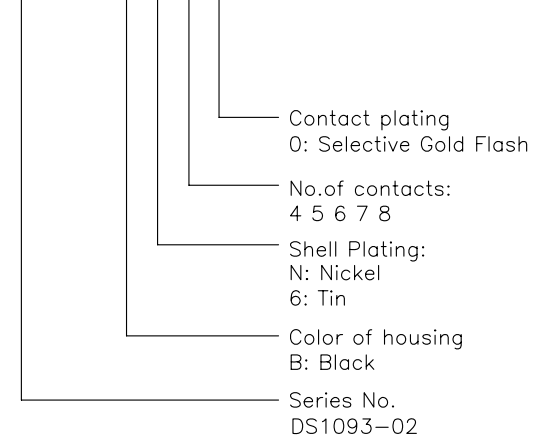
REV.	DESCRIPTION	DRAWN	CHECKED	APPROVED
A	NEW RELEASE	HP 06/10/05'		



NOTES:

- SPECIFICATIONS:
 - VOLTAGE RATING: 30V DC.
 - CONTACT CURRENT RATING: 1A MAX. PER PIN.
 - CONTACT RESISTANCE: 30 MILLIOHMS MAX.
 - DIELECTRIC WITHSTANDING VOLTAGE: 500V AC(rms) FOR 1 MINUTE.
 - INSULATION RESISTANCE: 1000 MEGAOHMS MIN.
 - OPERATING TEMPERATURE: -40°C~+105°C.

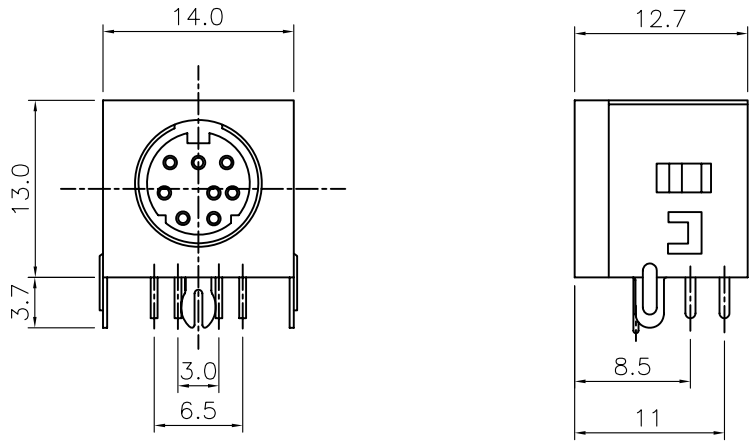
2. PRODUCT NUMBER CODE:
DS1093-02 - X X X X



GENERAL TOLERANCE		ANGLE TOLERANCE		PROJECTION		TITLE	MINI DIN 824 TYPE	
X.	±0.60	X.	±5°	UNITS	mm			
.X	±0.38	.X	±3°	SHEET SIZE	A4	SERIES	DS1093-02 SERIES	
.XX	±0.25	.XX	±2°	晨翔电子有限公司 CONFLY CONFLY ELECTRONIC CO. LTD				
DRAWING TYPE		CUSTOMER						
SCALE		1:1	SHEET 1 OF 1					
DRAWING NO.		C-DS1093-02-XXXX						

RECOMMEND PCB LAYOUT(TOLERANCE=±0.05)

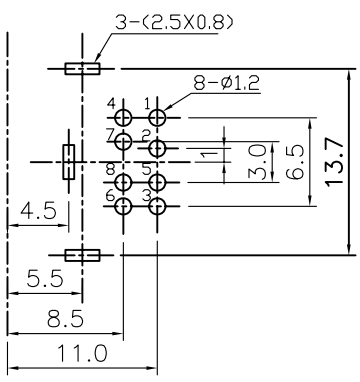
REV.	DESCRIPTION	DRAWN	CHECKED	APPROVED
A	NEW RELEASE	LJH07/17/05'		



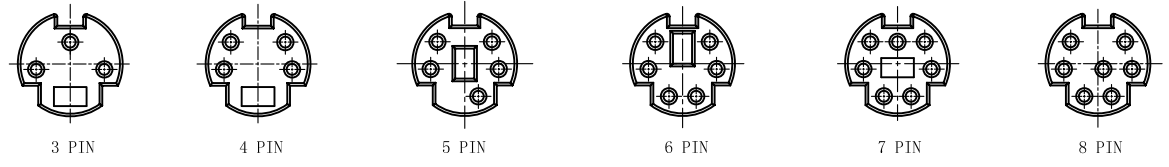
- NOTES:
- SPECIFICATIONS:
 - VOLTAGE RATING: 30V DC.
 - CONTACT CURRENT RATING: 1A MAX. PER PIN.
 - CONTACT RESISTANCE: 30 MILLIOHMS MAX.
 - DIELECTRIC WITHSTANDING VOLTAGE: 500V AC(rms) FOR 1 MINUTE.
 - INSULATION RESISTANCE: 1000 MEGAOHMS MIN.
 - OPERATING TEMPERATURE: -40°C~+105°C.
 - PRODUCT NUMBER CODE:

DS1093-03 - X X X X

 - Contact plating: 0: Selective Gold Flash
 - No. of contacts: 3 4 5 6 7 8
 - Shell Plating: N: Nickel, 6: Tin
 - Color of housing: B: Black
 - Series No.: DS1093-03

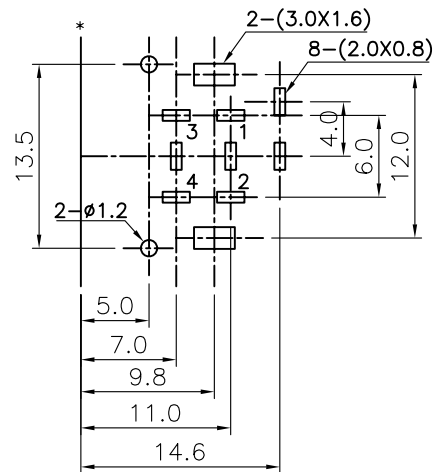
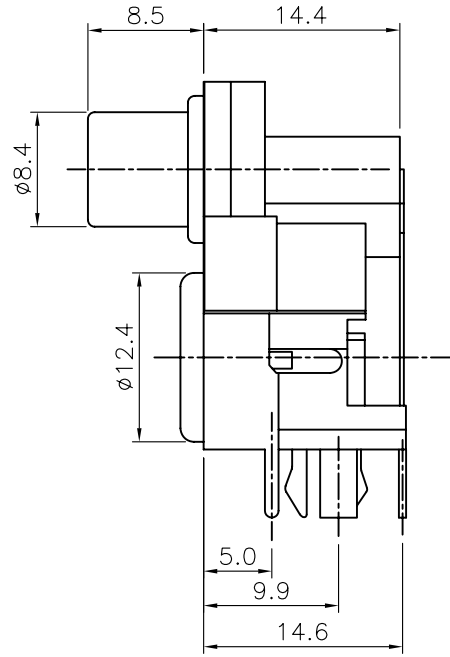
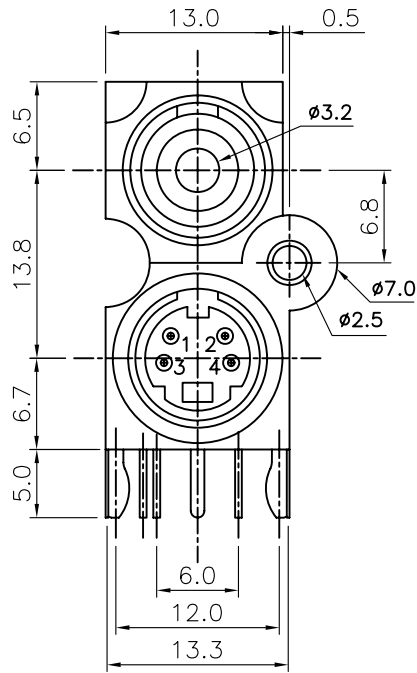


RECOMMEND PCB LAYOUT(TOLERANCE=±0.05)



GENERAL TOLERANCE		ANGLE TOLERANCE		PROJECTION		TITLE	MINI DIN 901 TYPE	
X.	±0.60	X.	±5°	UNITS	mm	SERIES	DS1093-03 SERIES	
.X	±0.38	.X	±3°	SHEET SIZE	A4			
.XX	±0.25	.XX	±2°					
DRAWING TYPE		CUSTOMER			晨翔电子有限公司 CONNFLY CONNFLY ELECTRONIC CO. LTD			
SCALE		1:1	SHEET 1 OF 1					
DRAWING NO.		C-DS1093-03-XXXX						

REV.	DESCRIPTION	DRAWN	CHECKED	APPROVED
A	NEW RELEASE	LJH07/18/05'		



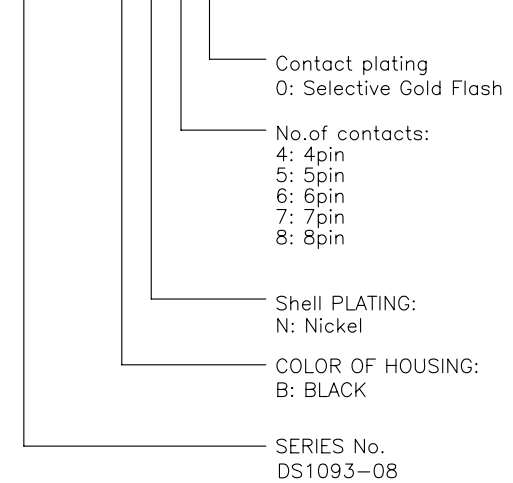
RECOMMEND PCB LAYOUT(TOLERANCE=±0.05)

NOTES:

- SPECIFICATIONS:
 - VOLTAGE RATING: 30V DC.
 - CONTACT CURRENT RATING: 1A MAX. PER PIN.
 - CONTACT RESISTANCE: 30 MILLIOHMS MAX.
 - DIELECTRIC WITHSTANDING VOLTAGE: 500V AC(rms) FOR 1 MINUTE.
 - INSULATION RESISTANCE: 1000 MEGAOHMS MIN.
 - OPERATING TEMPERATURE: -40°C~+105°C.

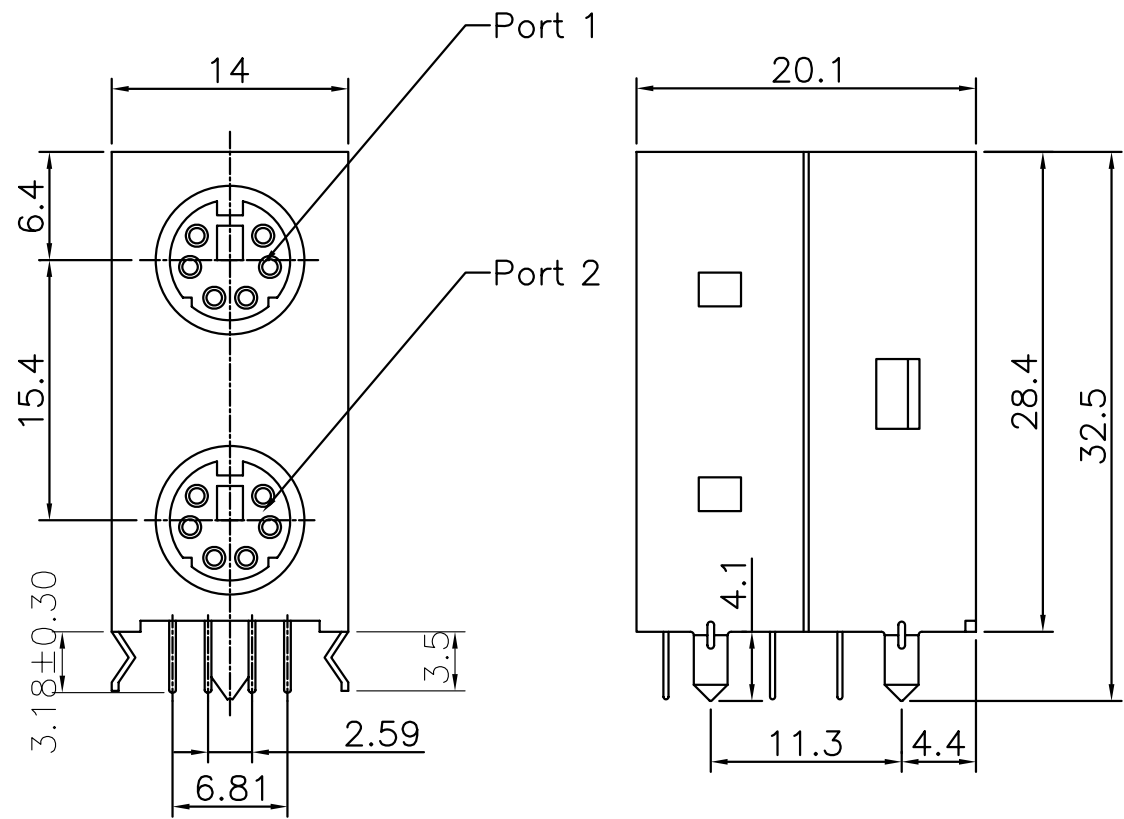
2. PRODUCT NUMBER CODE:

DS1093-08 - X X X X



GENERAL TOLERANCE		ANGLE TOLERANCE		PROJECTION		TITLE	MINI DIN 420 TYPE	
X.	±0.60	X.	±5°	UNITS	mm			
.X	±0.38	.X	±3°	SHEET SIZE	A4	SERIES	DS1093-08 SERIES	
.XX	±0.25	.XX	±2°	晨翔电子有限公司 CONNFLY CONNFLY ELECTRONIC CO. LTD				
DRAWING TYPE		CUSTOMER						
SCALE		1:1	SHEET 1 OF 1					
DRAWING NO.		C-DS1093-08-XXXX						

REV.	DESCRIPTION	DRAWN	CHECKED	APPROVED
A	NEW RELEASE	HP 21/06/05		

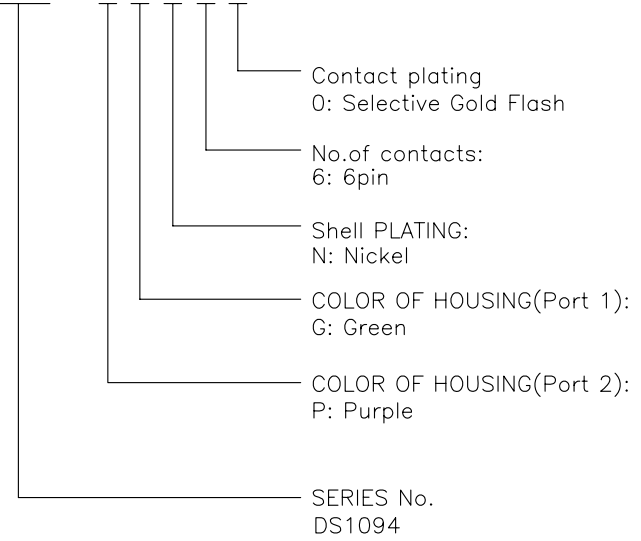


NOTES:

- SPECIFICATIONS:
 - VOLTAGE RATING: 30V DC.
 - CONTACT CURRENT RATING: 1A MAX. PER PIN.
 - CONTACT RESISTANCE: 100 MILLIOHMS MAX.
 - DIELECTRIC WITHSTANDING VOLTAGE: 500V AC(rms) FOR 1 MINUTE.
 - INSULATION RESISTANCE: 1000 MEGAOHMS MIN.
 - OPERATING TEMPERATURE: -40°C ~ +105°C.

2. PRODUCT NUMBER CODE:

DS1094 - X X X X X



GENERAL TOLERANCE		ANGLE TOLERANCE		PROJECTION		TITLE	
X.	±0.60	X.	±5°	UNITS	mm	MINI DIN TYPE STACK	
.X	±0.38	.X	±3°	SHEET SIZE	A4	SERIES	DS1094
.XX	±0.25	.XX	±2°	晨翔电子有限公司 CONNPLY ELECTRONIC CO. LTD			
DRAWING TYPE		CUSTOMER					
SCALE	1:1	SHEET	1 OF 1				
DRAWING NO.		C-DS1094-XXXXX					