

REV.	DESCRIPTION	DRAWN	CHECKED	APPROVED
A	NEW RELEASE	LJC 01/16/09		

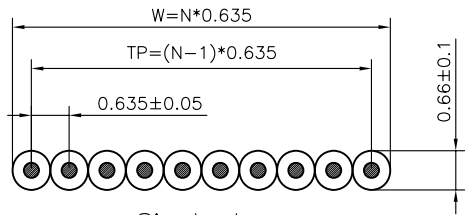
NOTES:

- Insulation material: PVC
Color: Gray
- SPECIFICATION
 - Rating: 150V
 - Conductor Size: 30AWG
 - Insulation resistance: 100MΩ/km min.
 - Contact resistance: 377Ω/km max.
 - Insulation thickness average: 7 mil.
 - Minimum insulation thickness : 6 mil.
- APPLICATION
 - Internal wiring of computers, electronic exchanges, measurement control devices, business machines, communication devices, and other electronic equipment.

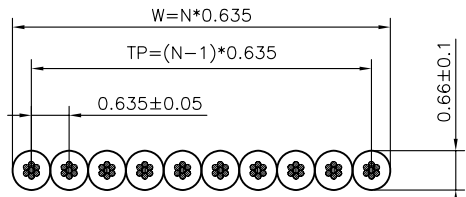
4. Product Number Code

DS1057-02 - X X X X X

- Edge mark
- R: Red mark
- F: Flower mark
- Wire type
- A: Single Type
- B: Stranded Type
- Wire AWG
- 30: 30AWG
- Cable color
- A: Gray
- No. Of positions
- 68: 68pin
- 80: 80pin
- 100: 100pin

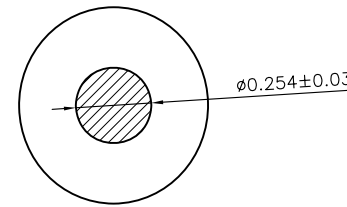
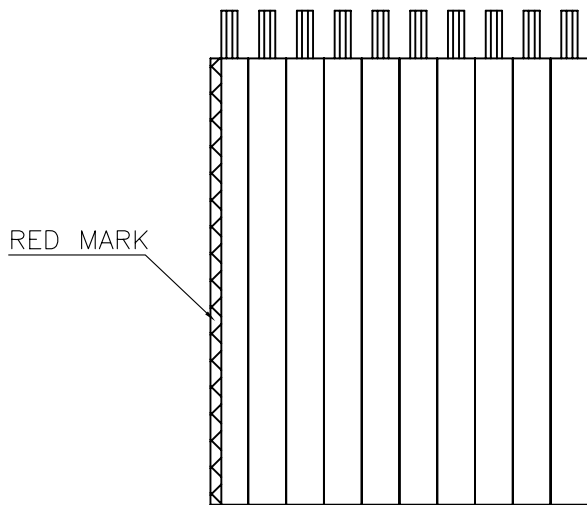


Single type

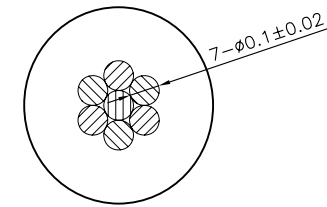


Stranded type

No. of positions	Dimensions		
	TP(mm)	W(mm)	Tolerance
68	42.545	43.18	±0.25
80	50.165	50.80	±0.25
100	62.865	63.50	±0.25



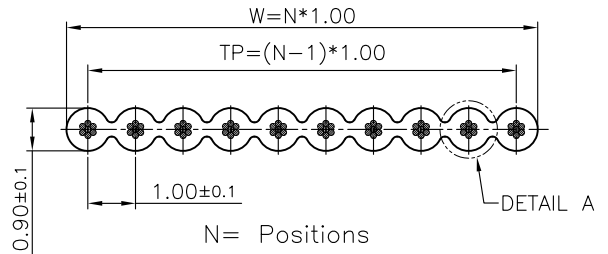
Single type



Stranded type

GENERAL TOLERANCE		ANGLE TOLERANCE		PROJECTION		TITLE	UL 2678 FLAT CABEL PITCH 0.635mm		
X.	±0.60	X.	±5°	UNITS	mm	SHEET SIZE	A4		
.X	±0.38	.X	±3°	SHEET SIZE	A4	SERIES	DS1057-02		
.XX	±0.25	.XX	±2°	晨翔电子有限公司 CONNFLY CONNFLY ELECTRONIC CO. LTD					
DRAWING TYPE		CUSTOMER							
SCALE	1:1	SHEET	1 OF 1						
DRAWING NO.		C-DS1057-02-XXXXX							

REV.	DESCRIPTION	DRAWN	CHECKED	APPROVED
A	NEW RELEASE	YCH 08/18/07		

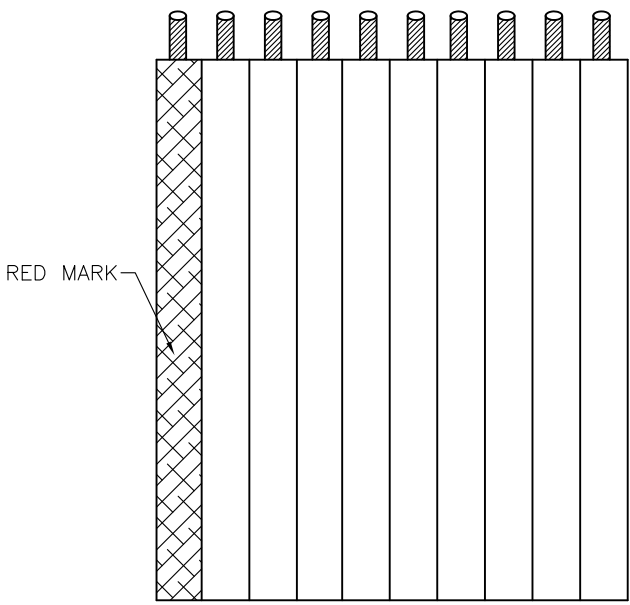


NOTES:

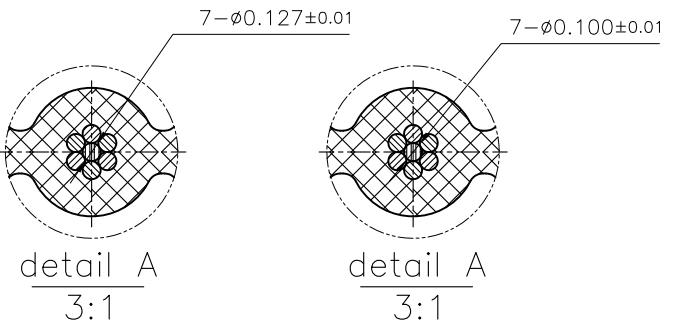
- Insulation material: PVC
Color: Grey
- SPECIFICATION
 - Rating: 300V
 - Conductor Size: 28AWG Or 30AWG
 - Insulation resistance: 100MΩ/km min.
- APPLICATION
 - Internal wiring of computers, electronic exchanges, measurement control devices, business machines, communication devices, and other electronic equipment.

4. Product Number Code
DS1057-01 - X X X X X

- Edge mark
- R: Red mark
- F: Flower mark
- Wire diameter
 - 1: $\phi 0.100$ (30AWG)
 - 2: $\phi 0.127$ (28AWG)
- Wire AWG
 - 28: 28AWG
 - 30: 30AWG
- Cable color
 - A: Gray
- No. Of positions
 - 10: 10pin
 - 64: 64pin



Number	Dimensions			Max. conductor resistance DC 20°C Ω/m
	TP(mm)	W(mm)	Tolerance	
10	9.00	10.00	±0.30	$\phi 0.100 < 0.397$
14	13.00	14.00	±0.30	
16	15.00	16.00	±0.30	
20	19.00	20.00	±0.30	
24	23.00	24.00	±0.30	
26	25.00	26.00	±0.30	
30	29.00	30.00	±0.30	
34	33.00	34.00	±0.40	
40	39.00	40.00	±0.40	
50	49.00	50.00	±0.40	
60	59.00	60.00	±0.40	
64	63.00	64.00	±0.40	



GENERAL TOLERANCE		ANGLE TOLERANCE		PROJECTION		TITLE	UL 2651 PITCH 1.00mm FLAT CABLE	
X.	±0.60	X.	±5°	UNITS	mm	SHEET SIZE	A4	SERIES DS1057-01
.X	±0.38	.X	±3°	晨翔电子有限公司 CONNFLY CONNFLY ELECTRONIC CO. LTD				
.XX	±0.25	.XX	±2°					
DRAWING TYPE		CUSTOMER		SCALE				
SCALE		1:1		SHEET		1 OF 1		
DRAWING NO.		C-DS1057-01-XXXXX		DRAWING NO.				

REV.	DESCRIPTION	DRAWN	CHECKED	APPROVED
A	NEW RELEASE	YCH 04/20/07	~	LJC 04/20/07
B	整理图面	YCH 05/14/07	~	LJC 05/14/07
C	整理图面	YCH 10/17/07	~	

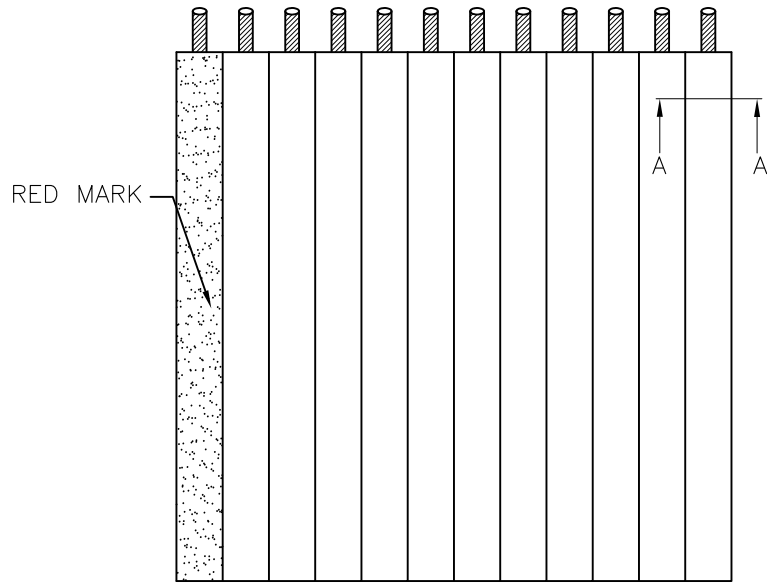
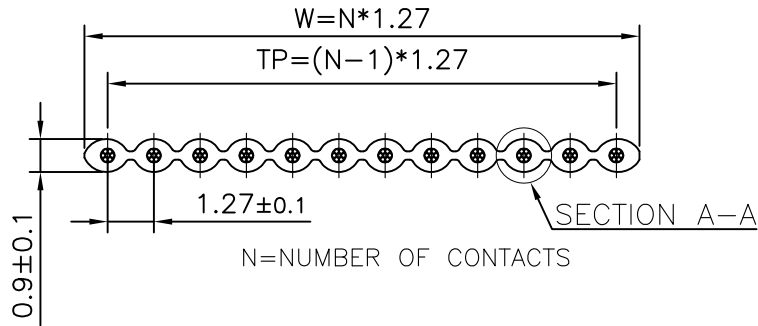
NOTES:

- Insulation material: PVC
Color: Grey
- SPECIFICATION
 - Rating: 300V
 - Conductor Size: 28AWG or 30AWG.
 - Insulation resistance: 100MΩ/km min.
- APPLICATION
 - Internal wiring of computers, electronic exchanges, measurement control devices, business machines, communication devices, and other electronic equipment.

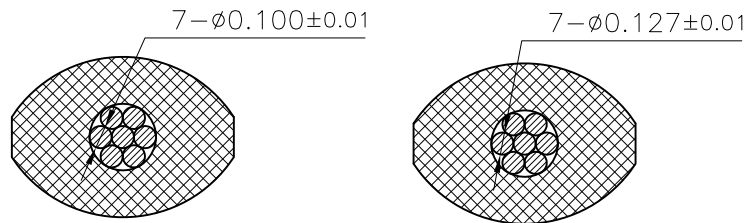
4. Product Number Code

DS1057 - X X X X X

- X: Edge mark
- R: Red mark
- F: Flower mark
- Wire diameter
 - 1: $\phi 0.100$ (30AWG)
 - 2: $\phi 0.127$ (28AWG)
- Wire AWG
 - 28: 28AWG
 - 30: 30AWG
- Cable color
 - A: Gray
- No. Of positions
 - 06: 6pin
 - 64: 64pin



Number	Dimensions			Max. conductor resistance DC 20°C Ω/m
	TP(mm)	W(mm)	Tolerance	
10	11.43	12.70	±0.30	∅0.100 < 0.397
14	16.51	17.78	±0.30	
16	19.05	20.32	±0.30	
20	24.13	25.40	±0.30	
24	29.21	30.48	±0.30	
26	31.75	33.02	±0.30	
30	36.83	38.10	±0.30	∅0.127 < 0.237
34	41.91	43.18	±0.40	
40	49.53	50.80	±0.40	
50	62.23	63.50	±0.40	
60	74.93	76.20	±0.40	
64	80.01	81.28	±0.40	

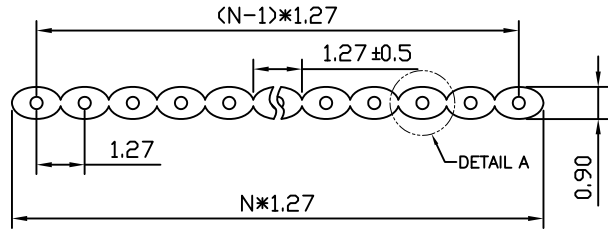


SECTION A-A (4:1)

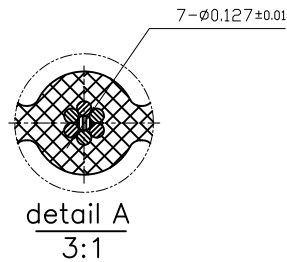
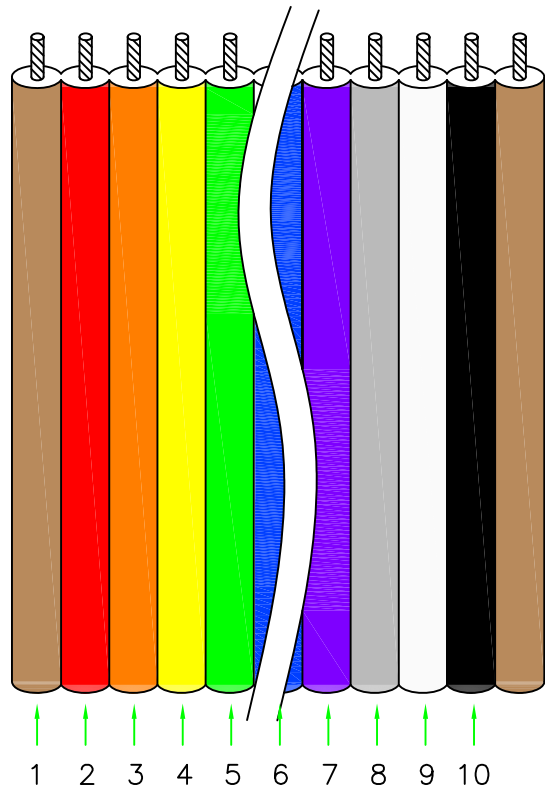
SECTION A-A (4:1)

GENERAL TOLERANCE		ANGLE TOLERANCE		PROJECTION		TITLE	2651 GRAY FLAT CABLE	
X.	±0.60	X.	±5°	UNITS	mm	SHEET	DS1057	
.X	±0.38	.X	±3°	SHEET SIZE	A4	SERIES		
.XX	±0.25	.XX	±2°	晨翔电子有限公司 CONNFLY CONNFLY ELECTRONIC CO. LTD				
DRAWING TYPE		CUSTOMER						
SCALE		1:1 SHEET 1 OF 1						
DRAWING NO.		C-DS1057-XXXXX-C						

REV.	DESCRIPTION	DRAWN	CHECKED	APPROVED
A	NEW RELEASE	HP 15/06/05		



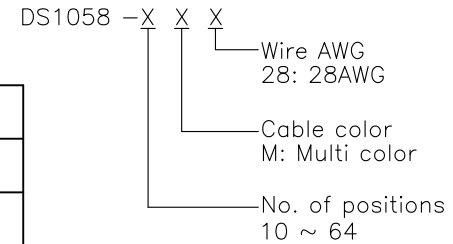
N=Positions



NOTES:

- Color
.Insulation: MULTI COLOUR
- SPECIFICATION
. Rating: 300V 1A
. Conductor Size: 28AWG
. Insulation resistance: 100MΩ/km min.
. Dielectric withstanding voltage: 1000 VAC 1 minute.
. Temperature range: -20°C to +80°C.
- APPLICATION
. Internal wiring of computers, electronic exchanges, measurement control devices, business machines, communication devices, and other electronic equipment.

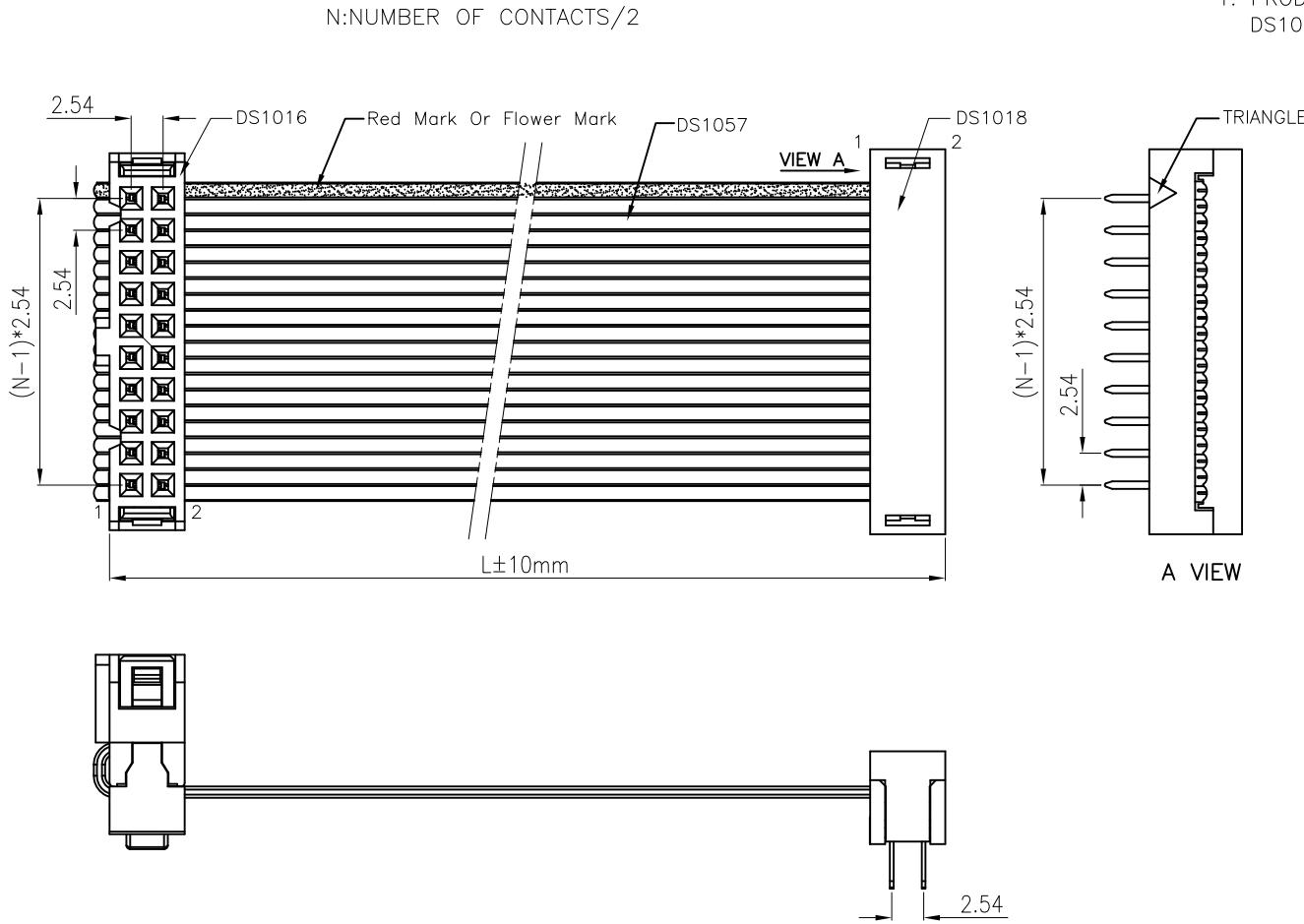
4. Product Number Code



Pin	Cable color	Pin	Cable color
1	Brown	6	Blue
2	Red	7	Purple
3	Orange	8	Gray
4	Yellow	9	White
5	Green	10	Black

GENERAL TOLERANCE		ANGLE TOLERANCE		PROJECTION		TITLE	FLAT CABLE MUTLI COLOR	
X.	±0.60	X.	±5°	UNITS	mm			
.X	±0.38	.X	±3°	SHEET SIZE	A4	SERIES	DS1058	
.XX	±0.25	.XX	±2°	晨翔电子有限公司 CONNFLY CONNFLY ELECTRONIC CO. LTD				
DRAWING TYPE		CUSTOMER						
SCALE	1:1	SHEET	1 OF 1					
DRAWING NO.		C-DS1058-XXX						

REV.	DESCRIPTION	DRAWN	CHECKED	APPROVED
A	NEW RELEASE	YCH 06/12/07'	~	



1. PRODUCT NUMBER CODE:

DS1052 -XX 1 B X X A X X X

- CABLE STYLE
- 1: TYPE 1
- LENGTH DIM L
- A:114.3mm G:120mm
- B:290mm H:3400mm
- C:1500mm J:170mm
- D:2400mm K:280mm
- E:85mm M:192mm
- F:4300mm
- WIRE DIAMETER
- 1:∅0.100 FOLWER MARK
- 2:∅0.127 RED MARK
- 3:∅0.100 RED MARK
- 4:∅0.127 FOLWER MARK
- FLAT CABLE COLOR
- A:GRAY
- STRAIN RELIEF
- M:W/
- N:W/O
- CONTACT PLATING
- 2:GOLD+NICKEL
- 0: { DS1016 GOLD+NICKEL
DS1018 SELECTIVE GOLD FLASH
- 8: { DS1016 GOLD+NICKEL
DS1018 FULL GOLD FLASH
- Si: { DS1016 SELECTIVE GOLD FLASH
DS1018 SELECTIVE GOLD FLASH
- HOUSING COLOR
- B:BLACK
- CONNECTOR Q'TY
- 1: 2 CONNECTOR
(1PCS DS1016 ;1PCS DS1018)
- NO.OF CONTACTS
- 10:10P 20:20P 30:30P 50:50P
- 14:14P 24:24P 34:34P 60:60P
- 16:16P 26:26P 40:40P 64:64P

GENERAL TOLERANCE		ANGLE TOLERANCE	
X.	±15	X.	±3'
.X	±10	.X	±2'
.XX	±5	.XX	±1'
DRAWING TYPE	CUSTOMER		
SCALE	1:1	SHEET	1 OF 1
DRAWING NO.	C-DS1052-XX1XXXXX1		

PROJECTION		TITLE	DS1052 (DS1016,DS1018)
UNITS	mm	SHEET SIZE	A4
SHEET SIZE	A4	SERIES	DS1052 SERIES

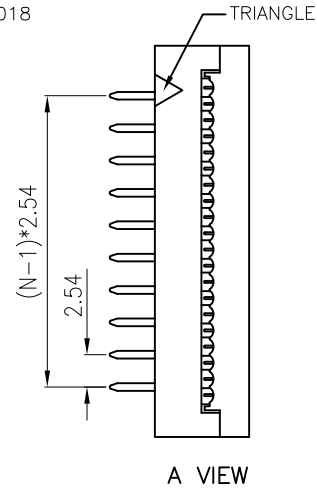
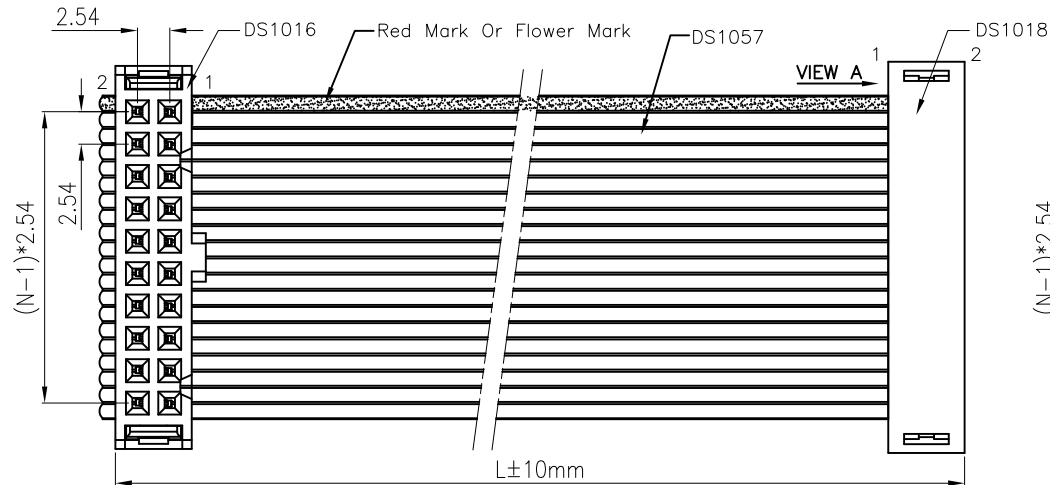
晨翔电子有限公司
CONNFLY CONNFLY ELECTRONIC CO. LTD

REV.	DESCRIPTION	DRAWN	CHECKED	APPROVED
A	NEW RELEASE	YCH 06/12/07'	~	

N:NUMBER OF CONTACTS/2

1. PRODUCT NUMBER CODE:


DS1052 -XX 1 B X X A X X X



- CABLE STYLE
- 2: TYPE 2
- LENGTH DIM L
 - A:114.3mm G:120mm
 - B:290mm H:3400mm
 - C:1500mm J:170mm
 - D:2400mm K:280mm
 - E:85mm M:200mm
 - F:4300mm
- WIRE DIAMETER
 - 1:∅0.100 FOLWER MARK
 - 2:∅0.127 RED MARK
 - 3:∅0.100 RED MARK
 - 4:∅0.127 FOLWER MARK
- FLAT CABLE COLOR
 - A:GRAY
- STRAIN RELIEF
 - M:W/
 - N:W/O
- CONTACT PLATING
 - 2:GOLD+NICKEL
 - 0: { DS1016 GOLD+NICKEL
DS1018 SELECTIVE GOLD FLASH
 - 8: { DS1016 GOLD+NICKEL
DS1018 FULL GOLD FLASH
 - Si: { DS1016 SELECTIVE GOLD FLASH
DS1018 SELECTIVE GOLD FLASH
- HOUSING COLOR
 - B:BLACK
- CONNECTOR Q'TY
 - 1: 2 CONNECTOR
(1PCS DS1016 ;1PCS DS1018)
- NO.OF CONTACTS
 - 10:10P 20:20P 30:30P 50:50P
 - 14:14P 24:24P 34:34P 60:60P
 - 16:16P 26:26P 40:40P 64:64P

GENERAL TOLERANCE		ANGLE TOLERANCE	
X.	±15	X.	±3'
.X	±10	.X	±2'
.XX	±5	.XX	±1'
DRAWING TYPE	CUSTOMER		
SCALE	1:1	SHEET	1 OF 1
DRAWING NO.	C-DS1052-XX1XXXXXX2		

PROJECTION	TITLE
UNITS	DS1052 (DS1016,DS1018)
SHEET SIZE	SERIES DS1052 SERIES

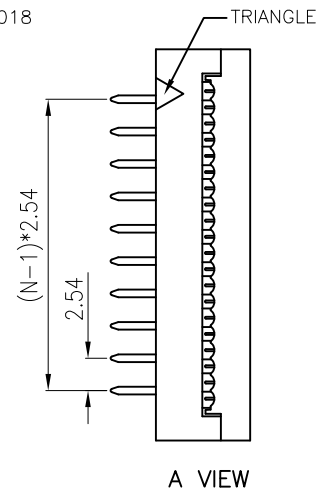
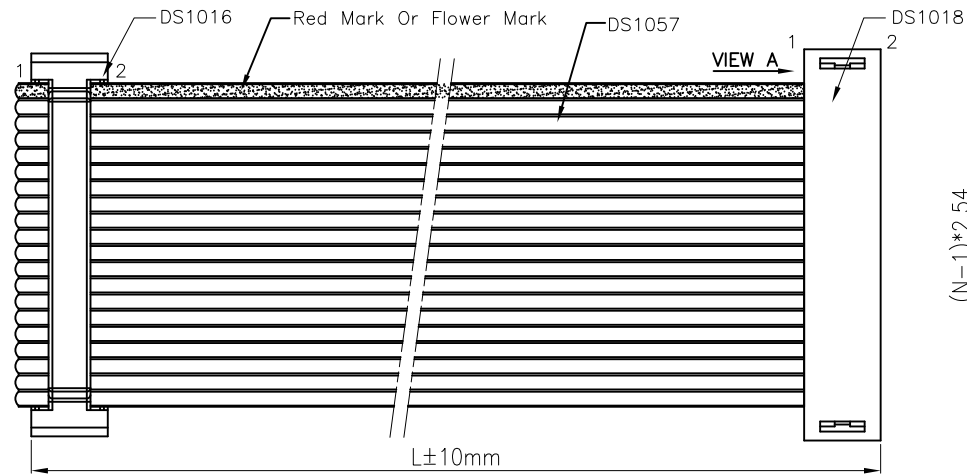
 晨翔电子有限公司
CONNFLY CONNFLY ELECTRONIC CO. LTD

REV.	DESCRIPTION	DRAWN	CHECKED	APPROVED
A	NEW RELEASE	YCH 06/12/07'	~	

N:NUMBER OF CONTACTS/2

1. PRODUCT NUMBER CODE:

DS1052 -XX 1 B X X A X X X



- CABLE STYLE
- 3: TYPE 3
- LENGTH DIM L
- A:114.3mm G:120mm
- B:290mm H:3400mm
- C:1500mm J:170mm
- D:2400mm K:280mm
- E:85mm M:130mm
- F:4300mm
- WIRE DIAMETER
- 1:∅0.100 FOLWER MARK
- 2:∅0.127 RED MARK
- 3:∅0.100 RED MARK
- 4:∅0.127 FOLWER MARK
- FLAT CABLE COLOR
- A:GRAY
- STRAIN RELIEF
- M:W/
- N:W/O
- CONTACT PLATING
- 2:GOLD+NICKEL
- 0: { DS1016 GOLD+NICKEL
- DS1018 SELECTIVE GOLD FLASH
- 8: { DS1016 GOLD+NICKEL
- DS1018 FULL GOLD FLASH
- Si: { DS1016 SELECTIVE GOLD FLASH
- DS1018 SELECTIVE GOLD FLASH
- HOUSING COLOR
- B:BLACK
- CONNECTOR Q'TY
- 1: 2 CONNECTOR
- (1PCS DS1016 ;1PCS DS1018)
- NO.OF CONTACTS
- 10:10P 20:20P 30:30P 50:50P
- 14:14P 24:24P 34:34P 60:60P
- 16:16P 26:26P 40:40P 64:64P

GENERAL TOLERANCE		ANGLE TOLERANCE	
X.	±15	X.	±3'
.X	±10	.X	±2'
.XX	±5	.XX	±1'
DRAWING TYPE	CUSTOMER		
SCALE	1:1	SHEET	1 OF 1
DRAWING NO.	C-DS1052-XX1XXXXXX3		

PROJECTION	TITLE
	DS1052 (DS1016,DS1018)
UNITS	mm
SHEET SIZE	A4
SERIES	DS1052 SERIES

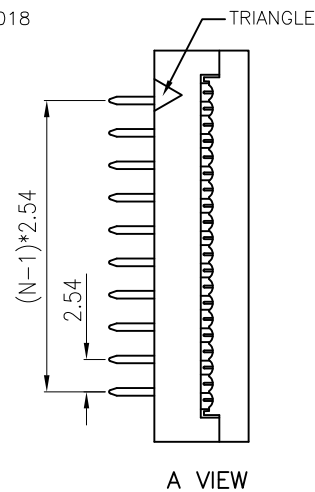
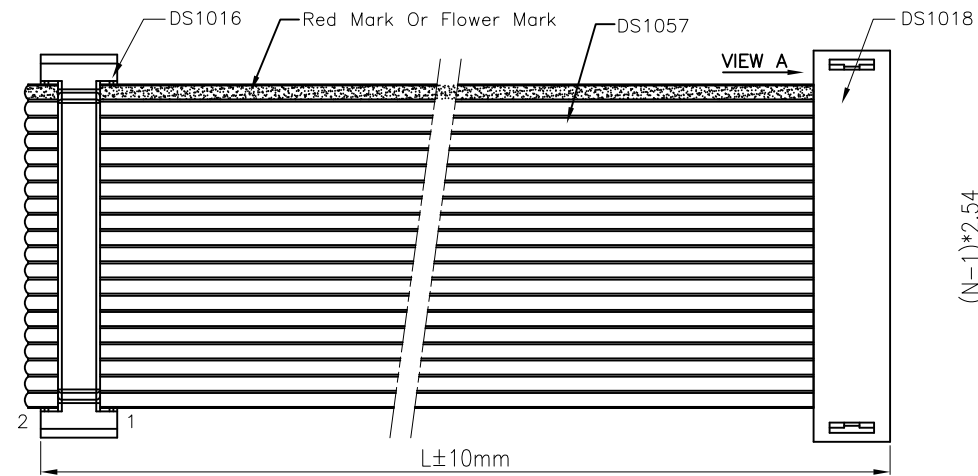
晨翔电子有限公司
CONNFLY CONNFLY ELECTRONIC CO. LTD

REV.	DESCRIPTION	DRAWN	CHECKED	APPROVED
A	NEW RELEASE	YCH 06/12/07'	~	

N:NUMBER OF CONTACTS/2

1. PRODUCT NUMBER CODE:

DS1052 -XX 1 B X X A X X X



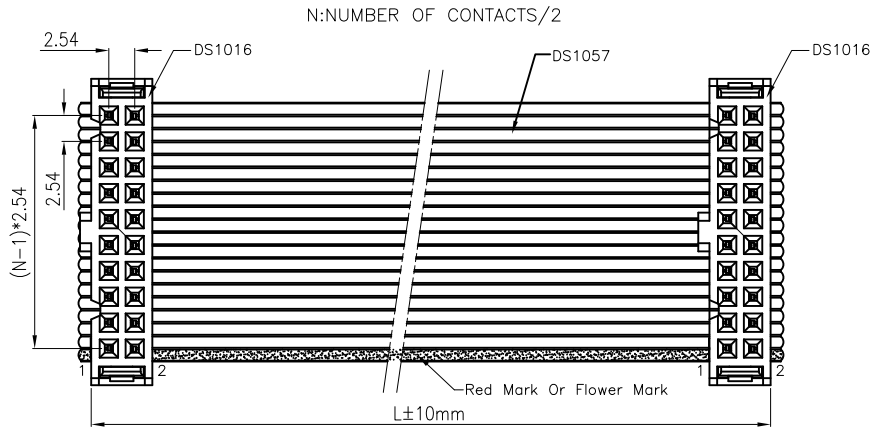
- CABLE STYLE
- 4: TYPE 4
- LENGTH DIM L
- A:114.3mm G:120mm
- B:290mm H:3400mm
- C:1500mm J:170mm
- D:2400mm K:280mm
- E:85mm
- F:4300mm
- WIRE DIAMETER
- 1:∅0.100 FOLWER MARK
- 2:∅0.127 RED MARK
- 3:∅0.100 RED MARK
- 4:∅0.127 FOLWER MARK
- FLAT CABLE COLOR
- A:GRAY
- STRAIN RELIEF
- M:W/
- N:W/O
- CONTACT PLATING
- 2:GOLD+NICKEL
- 0: { DS1016 GOLD+NICKEL
- DS1018 SELECTIVE GOLD FLASH
- 8: { DS1016 GOLD+NICKEL
- DS1018 FULL GOLD FLASH
- S: { DS1016 SELECTIVE GOLD FLASH
- DS1018 SELECTIVE GOLD FLASH
- HOUSING COLOR
- B:BLACK
- CONNECTOR Q'TY
- 1: 2 CONNECTOR
- (1PCS DS1016 ;1PCS DS1018)
- NO.OF CONTACTS
- 10:10P 20:20P 30:30P 50:50P
- 14:14P 24:24P 34:34P 60:60P
- 16:16P 26:26P 40:40P 64:64P

GENERAL TOLERANCE		ANGLE TOLERANCE	
X.	±15	X.	±3'
.X	±10	.X	±2'
.XX	±5	.XX	±1'
DRAWING TYPE	CUSTOMER		
SCALE	1:1	SHEET	1 OF 1
DRAWING NO.	C-DS1052-XX1XXXXX4		

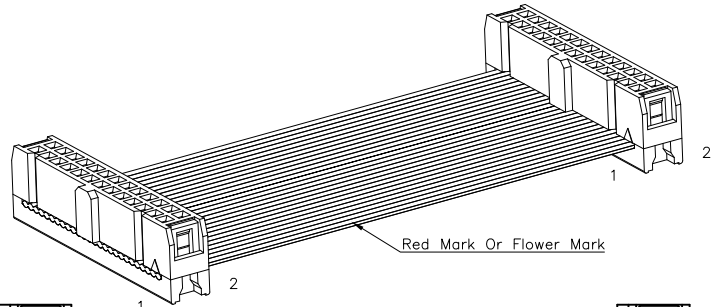
PROJECTION		TITLE	DS1052 (DS1016,DS1018)
UNITS	mm	SERIES	DS1052 SERIES
SHEET SIZE	A4		

晨翔电子有限公司
CONNFLY CONNFLY ELECTRONIC CO. LTD

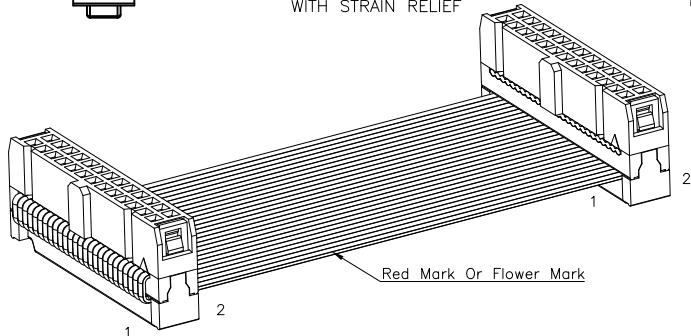
REV.	DESCRIPTION	DRAWN	CHECKED	APPROVED
A	NEW RELEASE	YCH 06/12/07'	~	LJC 06/12/07'
B	增加端子电镀全镀选项	YCH 11/11/08'	~	LJC 11/11/08'
C	增加胶芯颜色“灰”代码	YCH 07/14/10'	~	



WITHOUT STRAIN RELIEF



WITH STRAIN RELIEF



1. PRODUCT NUMBER CODE:

DS1052 -XX 2 B X X A X X X

CABLE STYLE

1: TYPE 1

LENGTH DIM L

A:72mm P:262mm

B:100mm Q:432mm

C:171.5mm R:412mm

D:200mm S:37mm

E:210mm T:112mm

F:300mm U:182mm

G:610mm V:362mm

H:700mm W:422mm

K:920mm X:350mm

M:254mm Y:85mm

N:350mm

WIRE DIAMETER

1:∅0.100 FOLWER MARK

2:∅0.127 RED MARK

3:∅0.100 RED MARK

4:∅0.127 FOLWER MARK

FLAT CABLE COLOR

A: GRAY

STRAIN RELIEF

M: W/

N: W/O

CONTACT PLATING

2: GOLD+NICKEL

N: NICKEL

HOUSING COLOR

A:GRAY

B:BLACK

CONNECTOR Q'TY

2: 2 CONNECTOR (2PCS DS1016)

NO.OF CONTACTS

10:10P 30:30P 20:20P 50:50P

14:14P 34:34P 24:24P 60:60P

16:16P 40:40P 26:26P 64:64P

GENERAL TOLERANCE

X. ±15

.X ±10

.XX ±5

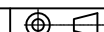
ANGLE TOLERANCE

X. ±3'

.X ±2'

.XX ±1'

PROJECTION



TITLE

DS1052 (2*DS1016)

UNITS

mm

SHEET SIZE

A4

SERIES

DS1052 SERIES

DRAWING TYPE

SCALE

DRAWING NO.

CUSTOMER

1:1

SHEET

1 OF 1

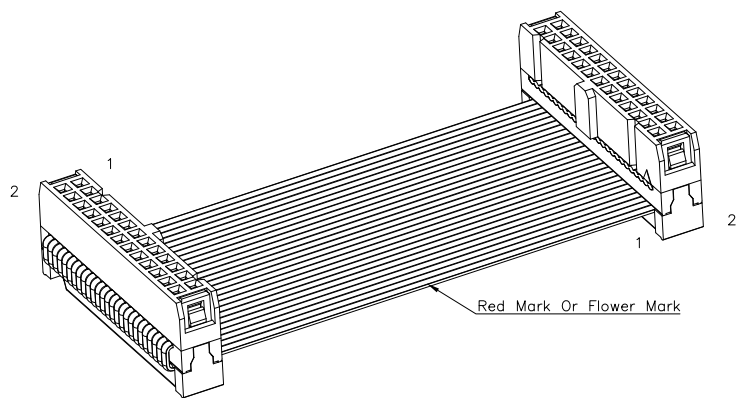
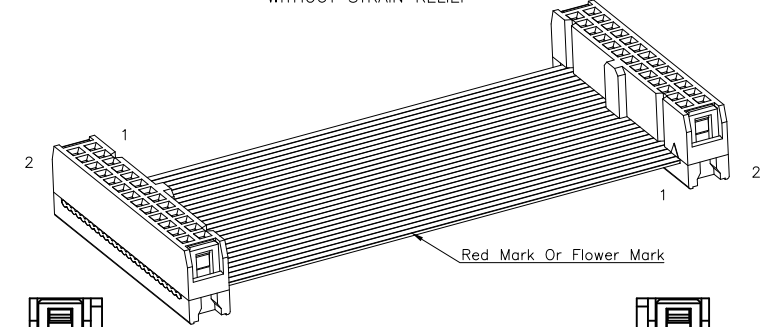
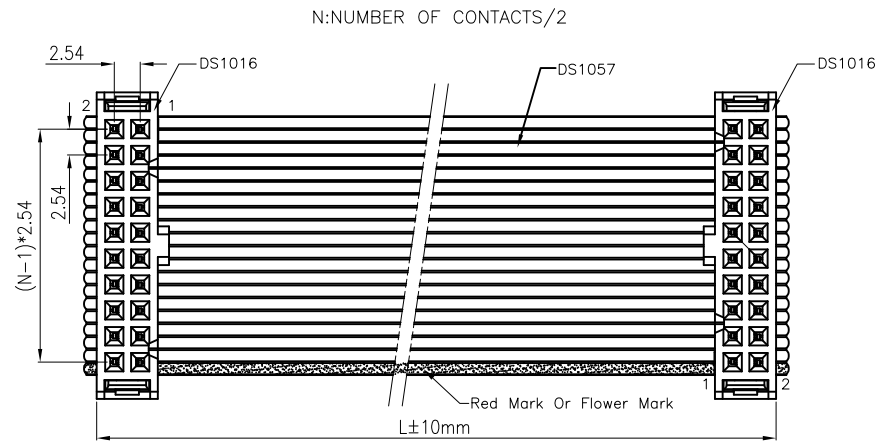
C-DS1052-XX2XXXXX1



晨翔电子有限公司

CONNFLY CONNFLY ELECTRONIC CO. LTD

REV.	DESCRIPTION	DRAWN	CHECKED	APPROVED
A	NEW RELEASE	YCH 06/12/07'	~	LJC 06/12/07'
B	增加端子电镀全镀选项	YCH 11/11/08'	~	LJC 11/11/08'
C	增加胶芯颜色“灰”代码	YCH 07/14/10'	~	



1. PRODUCT NUMBER CODE:

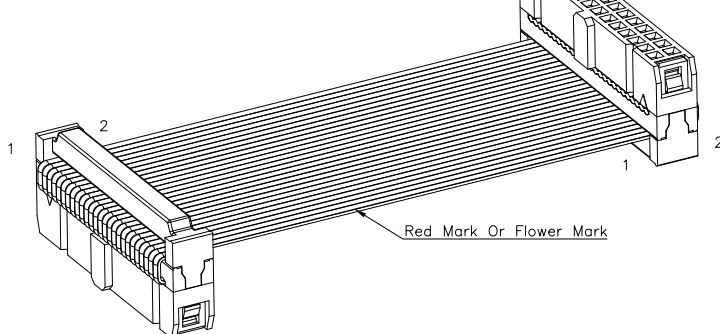
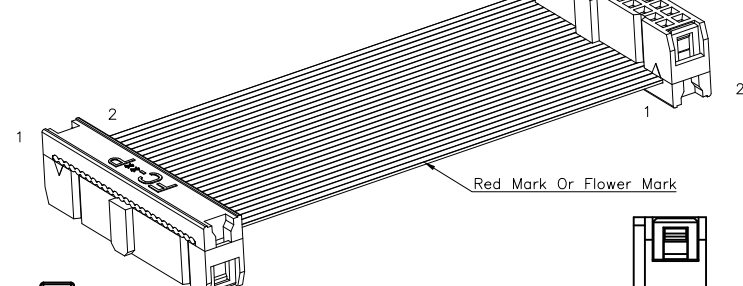
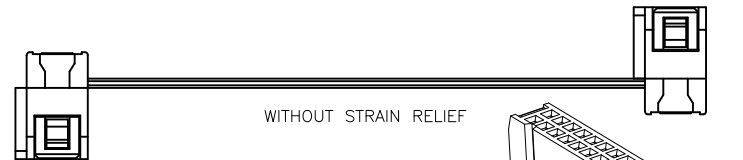
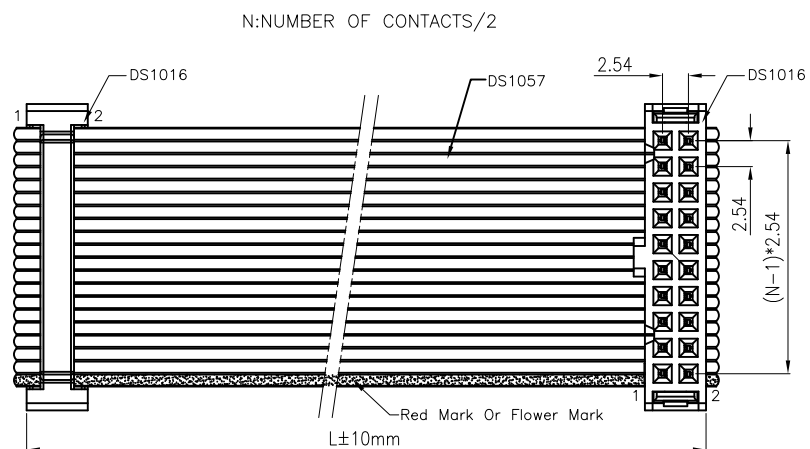
- DS1052 -XX 2 B X X A X X X
- CABLE STYLE
 - 2: TYPE 2
 - LENGTH DIM L
 - A:72mm H:700mm S:150mm
 - B:100mm K:920mm T:1130mm
 - C:171.5mm M:254mm U:1480mm
 - D:200mm N:362mm
 - E:210mm P:262mm
 - F:300mm Q:432mm
 - G:610mm R:70mm
 - WIRE DIAMETER
 - 1:φ0.100 FOLWER MARK
 - 2:φ0.127 RED MARK
 - 3:φ0.100 RED MARK
 - 4:φ0.127 FOLWER MARK
 - FLAT CABLE COLOR
 - A: GRAY
 - STRAIN RELIEF
 - M: W/
 - N: W/O
 - CONTACT PLATING
 - 2: GOLD+NICKEL
 - N: NICKEL
 - HOUSING COLOR
 - A:GRAY
 - B:BLACK
 - CONNECTOR Q'TY
 - 2: 2 CONNECTOR (2PCS DS1016)
 - NO.OF CONTACTS
 - 10:10P 30:30P
 - 14:14P 34:34P
 - 16:16P 40:40P
 - 20:20P 50:50P
 - 24:24P 60:60P
 - 26:26P 64:64P

GENERAL TOLERANCE		ANGLE TOLERANCE	
X.	±15	X.	±3'
.X	±10	.X	±2'
.XX	±5	.XX	±1'

DRAWING TYPE	CUSTOMER		
SCALE	1:1	SHEET	1 OF 1
DRAWING NO.	C-DS1052-XX2XXXXX2		

PROJECTION	TITLE
UNITS	DS1052 (2*DS1016)
SHEET SIZE	SERIES DS1052 SERIES

晨翔电子有限公司
CONNFLY CONNFLY ELECTRONIC CO. LTD




REV.	DESCRIPTION	DRAWN	CHECKED	APPROVED
A	NEW RELEASE	YCH 06/12/07'	~	LJC 06/12/07'
B	增加端子电镀全镍选项	YCH 11/11/08'	~	LJC 11/11/08'
C	增加胶芯颜色“灰”代码	YCH 07/14/10'	~	

1. PRODUCT NUMBER CODE:

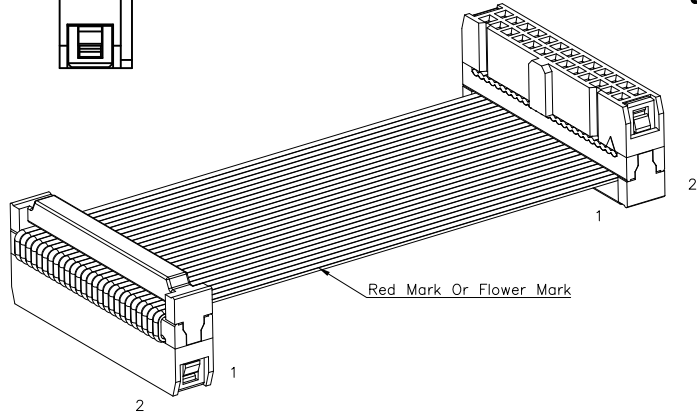
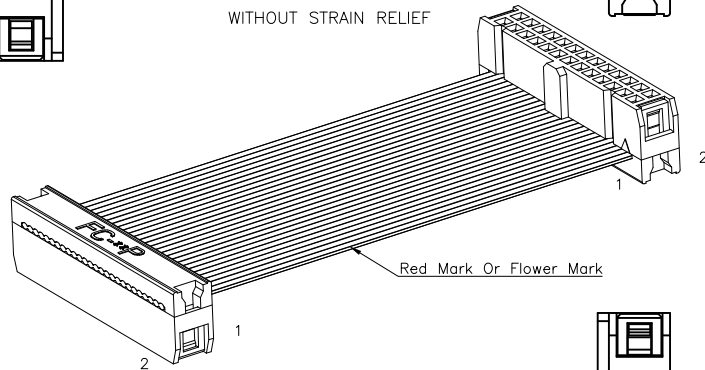
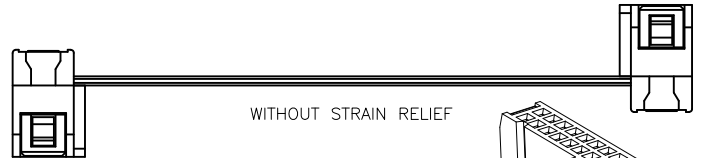
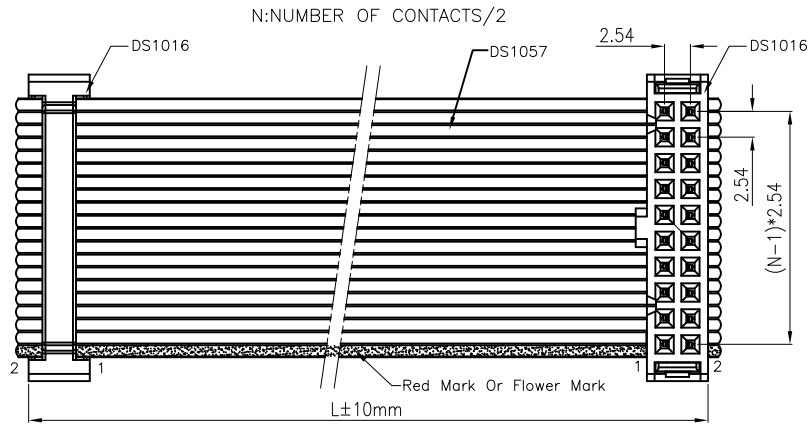
- DS1052 -XX 2 B X X A X X X
- CABLE STYLE
 - 3: TYPE 3
 - LENGTH DIM L
 - A:72mm H:700mm
 - B:100mm K:920mm
 - C:171.5mm M:254mm
 - D:200mm N:362mm
 - E:210mm P:262mm
 - F:300mm Q:432mm
 - G:610mm
 - WIRE DIAMETER
 - 1:φ0.100 FOLWER MARK
 - 2:φ0.127 RED MARK
 - 3:φ0.100 RED MARK
 - 4:φ0.127 FOLWER MARK
 - FLAT CABLE COLOR
 - A: GRAY
 - STRAIN RELIEF
 - M: W/
 - N: W/O
 - CONTACT PLATING
 - 2: GOLD+NICKEL
 - N: NICKEL
 - HOUSING COLOR
 - A:GRAY
 - B:BLACK
 - CONNECTOR Q'TY
 - 2: 2 CONNECTOR (2PCS DS1016)
 - NO.OF CONTACTS
 - 10:10P 30:30P
 - 14:14P 34:34P
 - 16:16P 40:40P
 - 20:20P 50:50P
 - 24:24P 60:60P
 - 26:26P 64:64P

GENERAL TOLERANCE		ANGLE TOLERANCE	
X.	±15	X.	±3'
.X	±10	.X	±2'
.XX	±5	.XX	±1'
DRAWING TYPE		CUSTOMER	
SCALE	1:1	SHEET	1 OF 1
DRAWING NO.	C-DS1052-XX2XXXXXX3		

PROJECTION	TITLE
UNITS	DS1052 (2*DS1016)
SHEET SIZE	SERIES DS1052 SERIES


晨翔电子有限公司
CONFLY CONFLY ELECTRONIC CO. LTD

REV.	DESCRIPTION	DRAWN	CHECKED	APPROVED
A	NEW RELEASE	YCH 06/12/07'	~	LJC 06/12/07'
B	增加端子电镀全镀选项	YCH 11/11/08'	~	LJC 11/11/08'
C	增加胶芯颜色“灰”代码	YCH 07/14/10'	~	



1. PRODUCT NUMBER CODE:

DS1052	-XX	2	B	X	X	A	X	X	X	
--------	-----	---	---	---	---	---	---	---	---	--

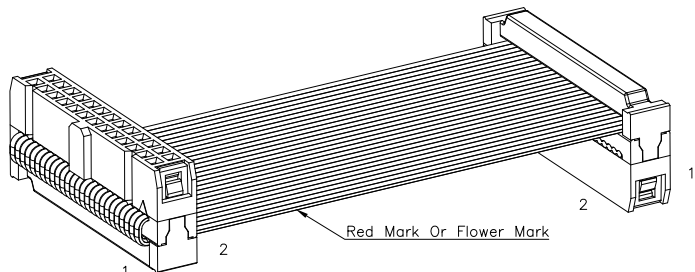
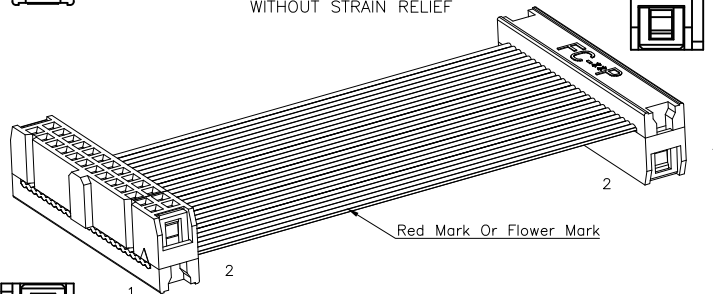
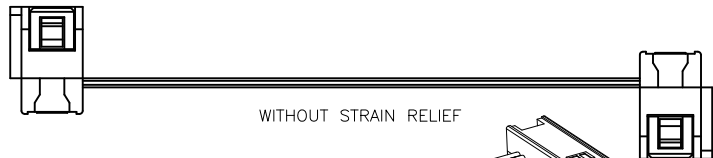
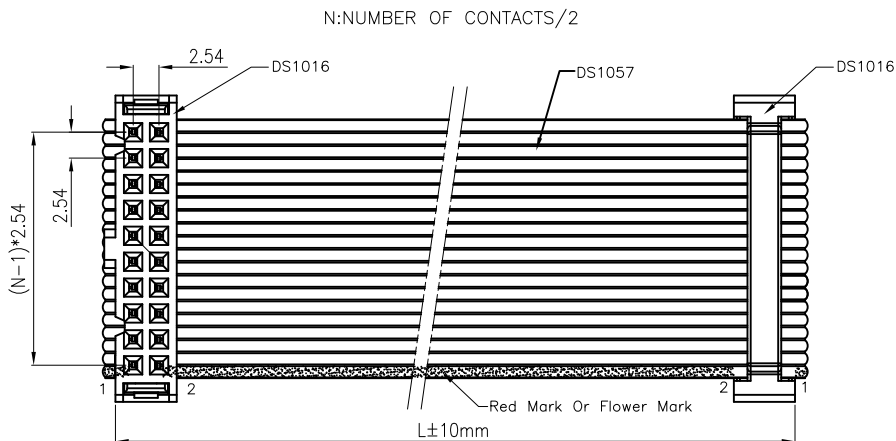
CABLE STYLE
 4: TYPE 4
 LENGTH DIM L
 A:72mm H:700mm H:512mm
 B:100mm K:920mm
 C:171.5mm M:254mm
 D:200mm N:362mm
 E:210mm P:262mm
 F:300mm Q:432mm
 G:610mm R:112mm
 WIRE DIAMETER
 1:φ0.100 FOLWER MARK
 2:φ0.127 RED MARK
 3:φ0.100 RED MARK
 4:φ0.127 FOLWER MARK
 FLAT CABLE COLOR
 A: GRAY
 STRAIN RELIEF
 M: W/
 N: W/O
 CONTACT PLATING
 2: GOLD+NICKEL
 N: NICKEL
 HOUSING COLOR
 A:GRAY
 B:BLACK
 CONNECTOR Q'TY
 2: 2 CONNECTOR (2PCS DS1016)
 NO.OF CONTACTS
 10:10P 30:30P
 14:14P 34:34P
 16:16P 40:40P
 20:20P 50:50P
 24:24P 60:60P
 26:26P 64:64P

GENERAL TOLERANCE		ANGLE TOLERANCE	
X.	±15	X.	±3'
.X	±10	.X	±2'
.XX	±5	.XX	±1'
DRAWING TYPE	CUSTOMER		
SCALE	1:1	SHEET	1 OF 1
DRAWING NO.	C-DS1052-XX2XXXXX4		

PROJECTION	TITLE
UNITS	DS1052 (2*DS1016)
SHEET SIZE	SERIES DS1052 SERIES


晨翔电子有限公司
CONFLY CONFLY ELECTRONIC CO. LTD

REV.	DESCRIPTION	DRAWN	CHECKED	APPROVED
A	NEW RELEASE	YCH 06/12/07'	~	LJC 06/12/07'
B	增加端子电镀全镀选项	YCH 11/11/08'	~	LJC 11/11/08'
C	增加胶芯颜色“灰”代码	YCH 07/14/10'	~	



1. PRODUCT NUMBER CODE:

DS1052 -XX 2 B X X A X X X

CABLE STYLE
 5: TYPE 5
 LENGTH DIM L
 A: 240mm
 B: 300mm

 WIRE DIAMETER
 1:φ0.100 FOLWER MARK
 2:φ0.127 RED MARK
 3:φ0.100 RED MARK
 4:φ0.127 FOLWER MARK
 FLAT CABLE COLOR
 A: GRAY
 STRAIN RELIEF
 M: W/
 N: W/O
 CONTACT PLATING
 2: GOLD+NICKEL
 N: NICKEL
 HOUSING COLOR
 A:GRAY
 B:BLACK
 CONNECTOR Q'TY
 2: 2 CONNECTOR (2PCS DS1016)
 NO.OF CONTACTS
 10:10P 30:30P
 14:14P 34:34P
 16:16P 40:40P
 20:20P 50:50P
 24:24P 60:60P
 26:26P 64:64P

GENERAL TOLERANCE		ANGLE TOLERANCE	
X.	±15	X.	±3'
.X	±10	.X	±2'
.XX	±5	.XX	±1'

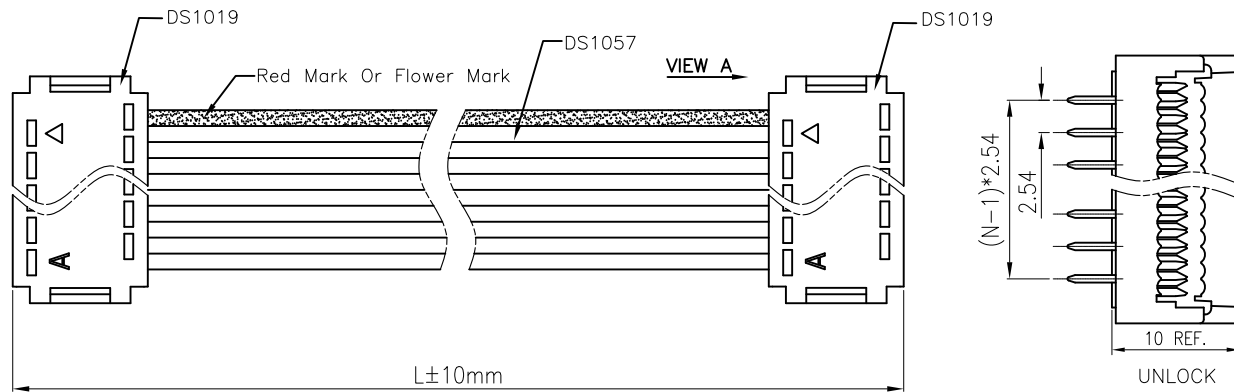
DRAWING TYPE	CUSTOMER		
SCALE	1:1	SHEET	1 OF 1
DRAWING NO.	C-DS1052-XX2XXXXXX5		

PROJECTION		TITLE	DS1052 (2*DS1016)	
UNITS	mm			
SHEET SIZE	A4	SERIES	DS1052 SERIES	

晨翔电子有限公司
CONNFLY CONNFLY ELECTRONIC CO. LTD

REV.	DESCRIPTION	DRAWN	CHECKED	APPROVED
A	NEW RELEASE	YCH 06/12/07'	~	

N:NUMBER OF CONTACTS/2



1. PRODUCT NUMBER CODE:

DS1052 -XX 3 B X A X X

LENGTH DIM L
A:125mm

WIRE DIAMETER
1:∅0.100 FOLWER MARK
2:∅0.127 RED MARK
3:∅0.100 RED MARK
4:∅0.127 FOLWER MARK

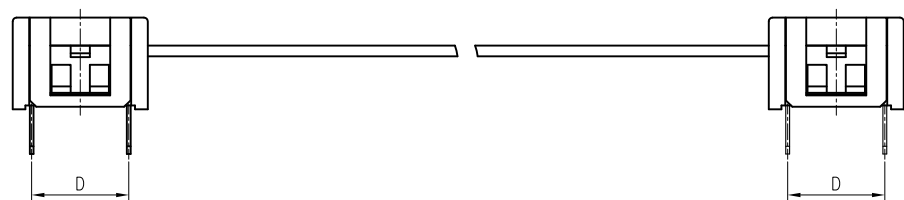
FLAT CABLE COLOR
A:GRAY

CONTACT PLATING
0:SELECTIVE GOLD FLASH
2:GOLD+NICKEL
8:ALL GOLD FLASH

HOUSING COLOR
B:BLACK

CONNECTOR Q'TY
3: 2 CONNECTOR (2PCS DS1019)

NO.OF CONTACTS
10:10P (Dim D=7.62)
14:14P (Dim D=7.62)
16:16P (Dim D=7.62)
18:18P (Dim D=7.62)
20:20P (Dim D=7.62)
24:24P (Dim D=15.24)
28:28P (Dim D=15.24)
40:40P (Dim D=15.24)



GENERAL TOLERANCE	
X.	±15
.X	±10
.XX	±5

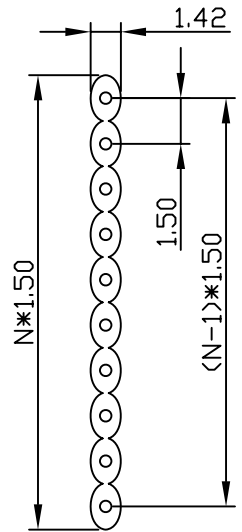
ANGLE TOLERANCE	
X.	±3'
.X	±2'
.XX	±1'

PROJECTION	UNITS	SHEET SIZE
	mm	A4

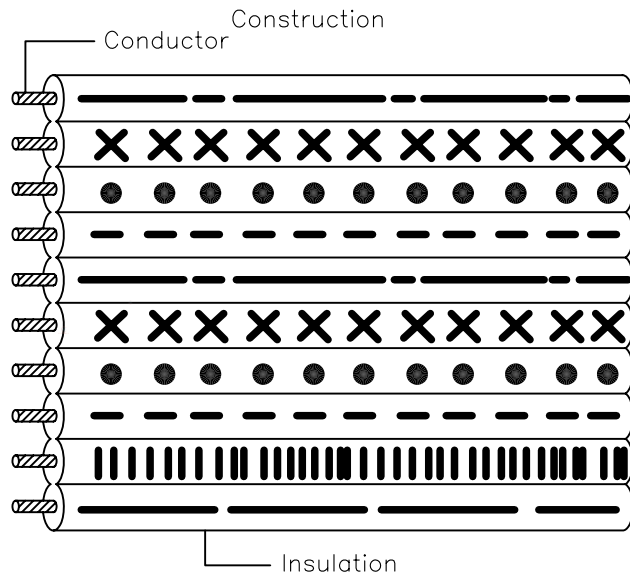
TITLE	SERIES
DS1052 (2*DS1019)	DS1052 SERIES

DRAWING TYPE	CUSTOMER		
SCALE	1:1	SHEET	1 OF 1
DRAWING NO.	C-DS1052-XX3XXXXX		

晨翔电子有限公司
CONNFLY CONNFLY ELECTRONIC CO. LTD



N:Positions.



REV.	DESCRIPTION	DRAWN	CHECKED	APPROVED
A	NEW RELEASE	HP 15/06/05		

NOTES:

1. PRODUCT DESCRIPTION

- . Tinned stranded or solid copper conductor, 26 - 16 AWG
- . Color-coded PVC insulation
- . Rated temperature: 80°C Rated voltage: 300volts
- . Uniform thickness of wire to ensure easy stripping and cutting.
- . Resistant to acids, oils, alkalies, moisture and fungus.

2. APPLICATIONS

- . For general purpose internal wiring of electronic and electrical equipment.

3. PRODUCT NUMBER CODE:

DS1059 - X X
 Wire AWG
 16 18 20 22 24 26
 No. of positions
 02 ~ 20

Product Name	Conductor			Insulation Thickness	Outer Diameter
	AWG	Construction (No./mm)	Sect.Area (mm ²)		
2468 (Stranded)	26	7/0.160	0.13	0.45	1.38±0.10
	24	11/0.160	0.21		1.51±0.10
	22	17/0.160	0.33		1.60±0.10
	20	21/0.180	0.52		1.80±0.10
	18	34/0.180	0.82		2.00±0.10
	16	26/0.254	1.31		2.20±0.10

GENERAL TOLERANCE		ANGLE TOLERANCE		PROJECTION		TITLE	2468 EXTRUDED RIBBON CABLE	
X.	±0.60	X.	±5°	UNITS	mm	SHEET SIZE	A4	SERIES DS1059
.X	±0.38	.X	±3°	晨翔电子有限公司 CONNFLY CONNFLY ELECTRONIC CO. LTD				
.XX	±0.25	.XX	±2°					
DRAWING TYPE		CUSTOMER						
SCALE		1:1	SHEET 1 OF 1					
DRAWING NO.		C-DS1059-XX						