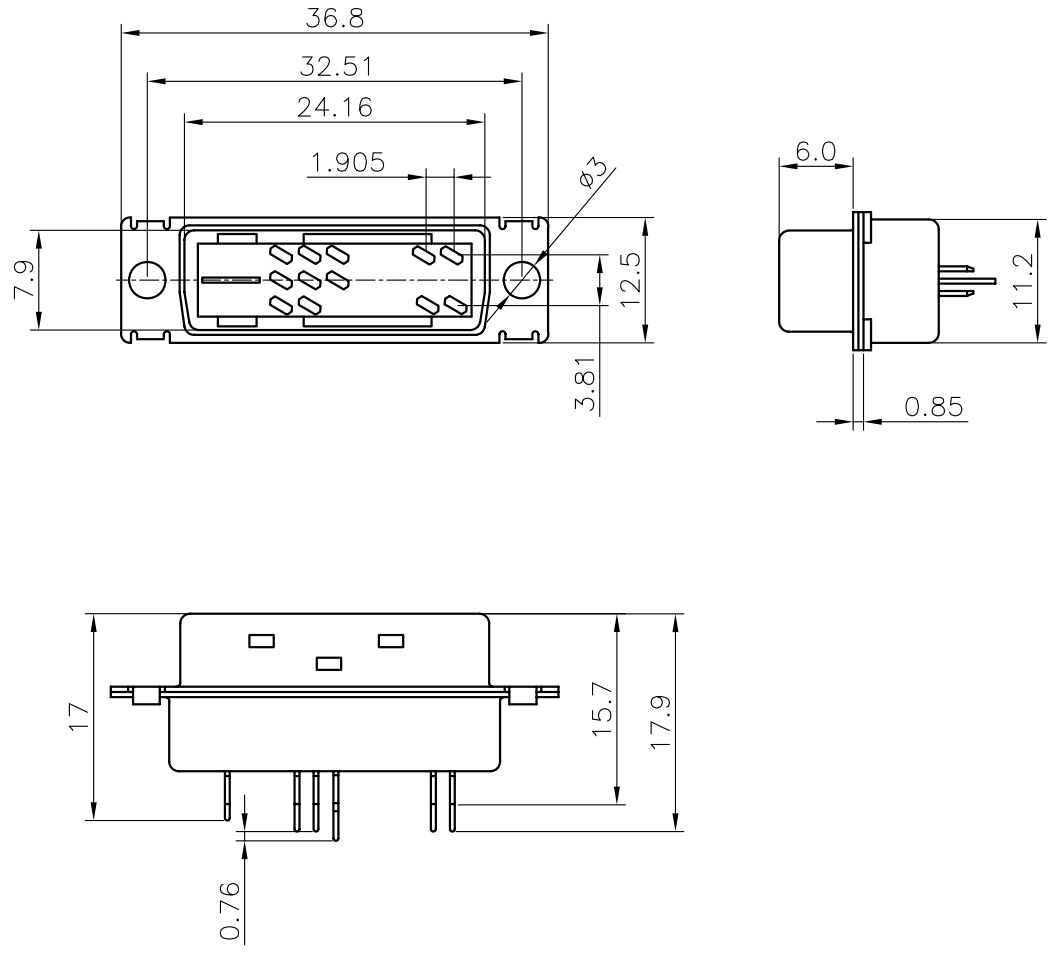


REV.	DESCRIPTION	DRAWN	CHECKED	APPROVED
A	NEW RELEASE	HP 20/06/05		



NOTES:

- SPECIFICATIONS
 - Contact Resistance: 30mΩ max
 - Insulation Resistance: 1000MΩ min.
 - Current Rating: 1A
 - Dielectric withstanding voltage: AC 500V For 1 minute
 - Contact: Copper alloy.
 - Housing: Thermoplastic(UL 94V-0)

2. PRODUCT NUMBER CODE:

DS1084 - X X X X

- Screw type
 - X: W/O screw
 - S: W/ #4-40(UNC) screw
- Contact plating
 - 0: Selective gold flash
- Shell plating
 - T: Front & back shell Tin
 - N: Front shell Nickel,back shell Tin
- Color of housing
 - W:WHITE
 - B:BLACK
 - V:Ivory

GENERAL TOLERANCE		ANGLE TOLERANCE		PROJECTION		TITLE	DVI PLUG 12+1(JDB-121)	
X.	±0.60	X.	±5°	UNITS	mm			
.X	±0.38	.X	±3°	SHEET SIZE	A4	SERIES	DS1084	
.XX	±0.25	.XX	±2°	晨翔电子有限公司 CONNFLY CONNFLY ELECTRONIC CO. LTD				
DRAWING TYPE		CUSTOMER						
SCALE		1:1	SHEET 1 OF 1					
DRAWING NO.		C-DS1084-XXXX						

REV.	DESCRIPTION	DRAWN	CHECKED	APPROVED
A	NEW RELEASE	HP 20/06/05		

NOTES:

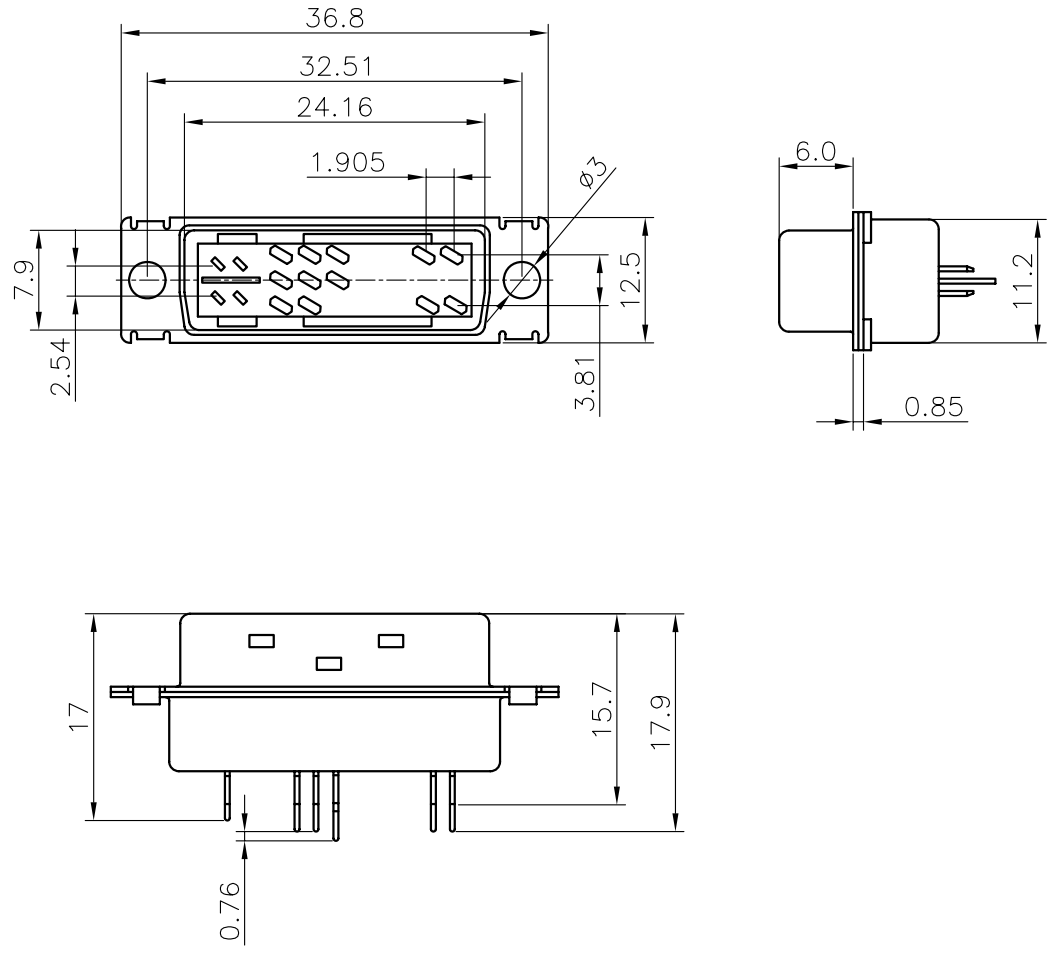
1. SPECIFICATIONS

- . Contact Resistance: 30mΩ max
- . Insulation Resistance: 1000MΩ min.
- . Current Rating: 1A
- . Dielectric withstanding voltage: AC 500V For 1 minute
- . Contact: Copper alloy.
- . Housing: Thermoplastic(UL 94V-0)

2. PRODUCT NUMBER CODE:

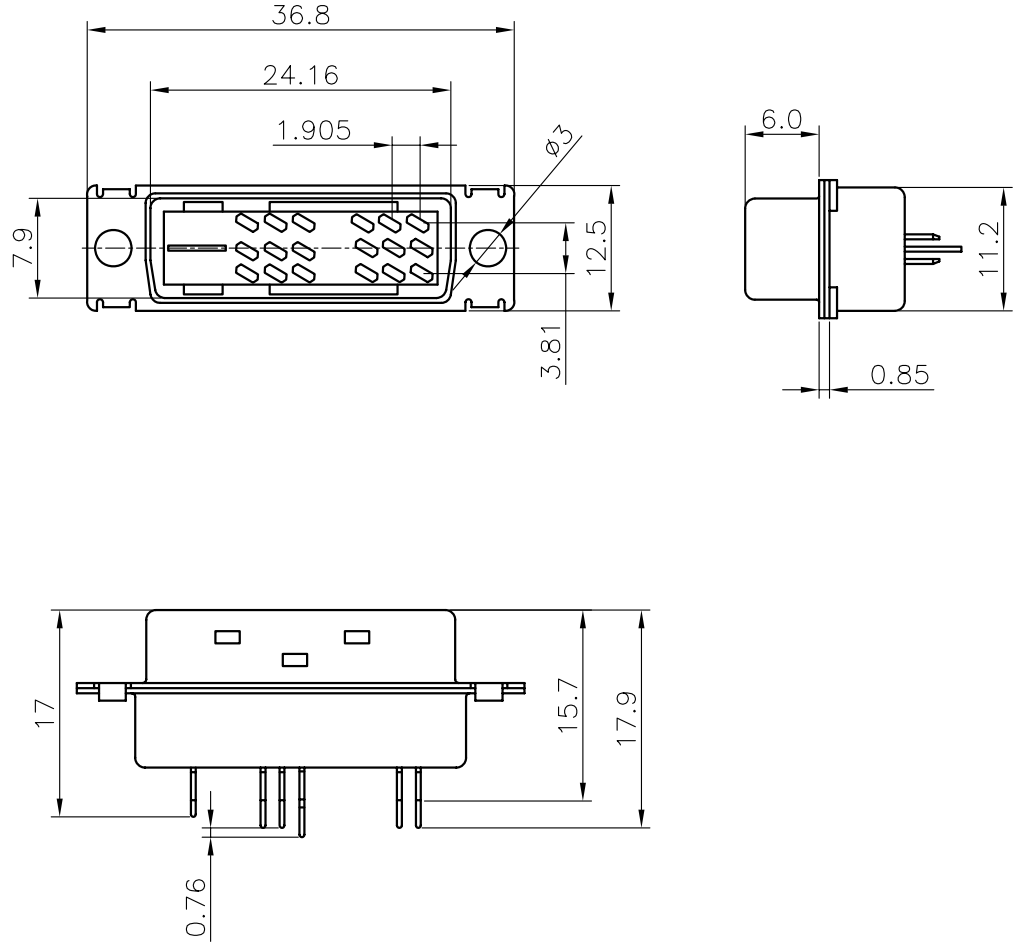
DS1085 - X X X X

- Screw type
X: W/O screw
S: W/ #4-40(UNC) screw
- Contact plating
0: Selective gold flash
- Shell plating
T: Front & back shell Tin
N: Front shell Nickel,back shell Tin
- Color of housing
W:WHITE
B:BLACK
V:Ivory



GENERAL TOLERANCE		ANGLE TOLERANCE		PROJECTION		TITLE	DVI PLUG 12+5(JDB-125)	
X.	±0.60	X.	±5°	UNITS	mm			
.X	±0.38	.X	±3°	SHEET SIZE	A4	SERIES	DS1085	
.XX	±0.25	.XX	±2°			晨翔电子有限公司 CONNFLY CONNFLY ELECTRONIC CO. LTD		
DRAWING TYPE		CUSTOMER						
SCALE		1:1	SHEET	1 OF 1				
DRAWING NO.		C-DS1085-XXXX						

REV.	DESCRIPTION	DRAWN	CHECKED	APPROVED
A	NEW RELEASE	HP 20/06/05		



NOTES:

- SPECIFICATIONS
 - Contact Resistance: 30mΩ max
 - Insulation Resistance: 1000MΩ min.
 - Current Rating: 1A
 - Dielectric withstanding voltage: AC 500V For 1 minute
 - Contact: Copper alloy.
 - Housing: Thermoplastic(UL 94V-0)

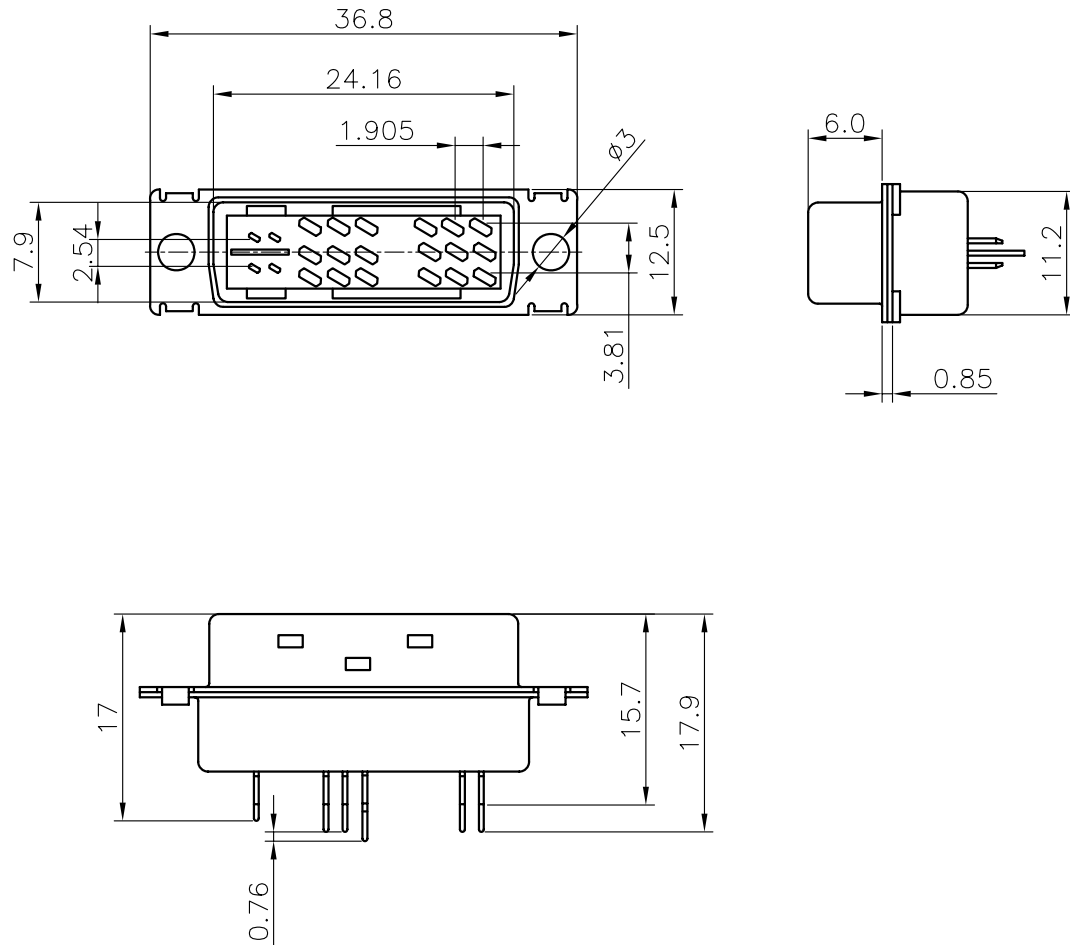
2. PRODUCT NUMBER CODE:

DS1086 - X X X X

- Screw type
 - X: W/O screw
 - S: W/ #4-40(UNC) screw
- Contact plating
 - 0: Selective gold flash
- Shell plating
 - N: Nickel
 - 6: Tin
- Color of housing
 - W:WHITE
 - B:BLACK
 - V:Ivory

GENERAL TOLERANCE		ANGLE TOLERANCE		PROJECTION		TITLE	DVI PLUG 18+1(JDB-181)	
X.	±0.60	X.	±5°	UNITS	mm			
.X	±0.38	.X	±3°	SHEET SIZE	A4	SERIES	DS1086	
.XX	±0.25	.XX	±2°	晨翔电子有限公司 CONNFLY CONNFLY ELECTRONIC CO. LTD				
DRAWING TYPE		CUSTOMER						
SCALE		1:1	SHEET 1 OF 1					
DRAWING NO.		C-DS1086-XXXX						

REV.	DESCRIPTION	DRAWN	CHECKED	APPROVED
A	NEW RELEASE	HP 20/06/05		



NOTES:

1. SPECIFICATIONS

- . Contact Resistance: 30mΩ max
- . Insulation Resistance: 1000MΩ min.
- . Current Rating: 1A
- . Dielectric withstanding voltage: AC 500V For 1 minute
- . Contact: Copper alloy.
- . Housing: Thermoplastic(UL 94V-0)

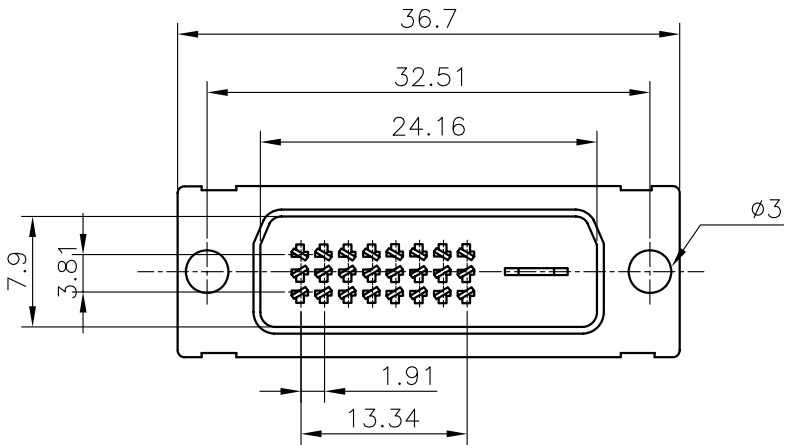
2. PRODUCT NUMBER CODE:

DS1087 - X X X X

- Screw type
X: W/O screw
S: W/ #4-40(UNC) screw
- Contact plating
0: Selective gold flash
- Shell plating
N: Nickel
6: Tin
- Color of housing
W:WHITE
B:BLACK
V:Ivory

GENERAL TOLERANCE		ANGLE TOLERANCE		PROJECTION		TITLE	DVI PLUG 18+5(JDB-185)	
X.	±0.60	X.	±5°	UNITS	mm			
.X	±0.38	.X	±3°	SHEET SIZE	A4	SERIES	DS1087	
.XX	±0.25	.XX	±2°					
DRAWING TYPE		CUSTOMER			晨翔电子有限公司 CONNFLY CONNFLY ELECTRONIC CO. LTD			
SCALE		1:1	SHEET	1 OF 1				
DRAWING NO.		C-DS1087-XXXX						

REV.	DESCRIPTION	DRAWN	CHECKED	APPROVED
A	NEW RELEASE	HP 20/06/05		



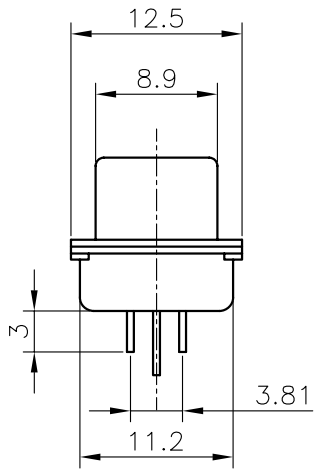
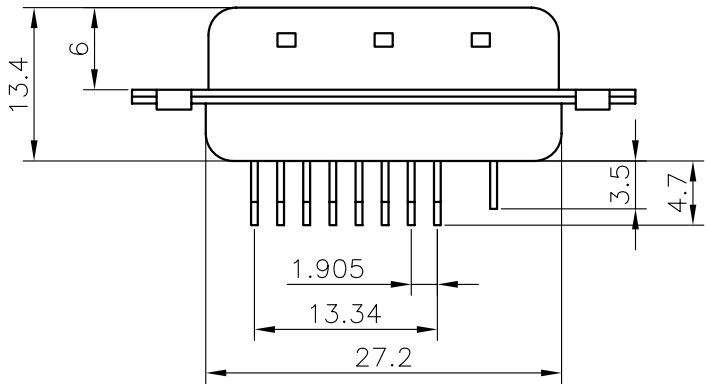
NOTES:

- SPECIFICATIONS
 - Contact Resistance: 30mΩ max
 - Insulation Resistance: 1000MΩ min.
 - Current Rating: 1A
 - Dielectric withstanding voltage: AC 500V For 1 minute
 - Contact: Copper alloy.
 - Housing: Thermoplastic(UL 94V-0)

2. PRODUCT NUMBER CODE:

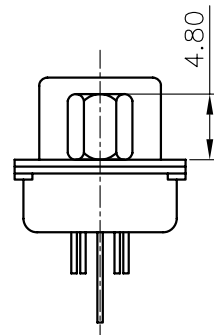
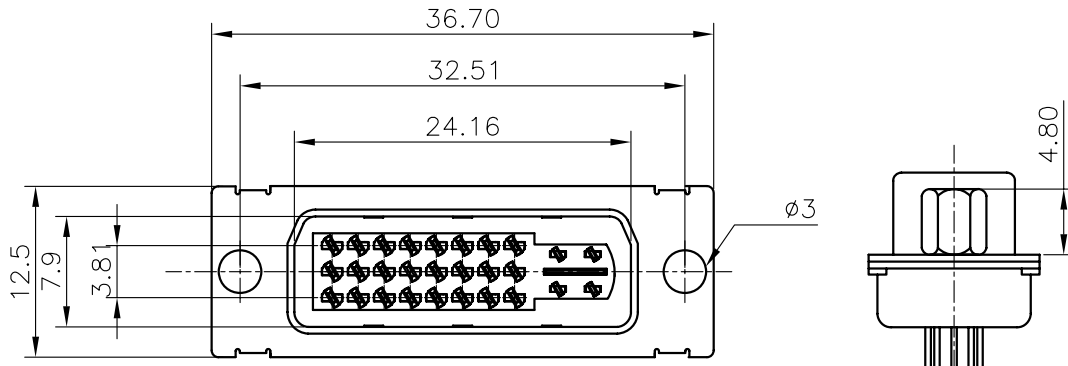
DS1088 - X X X X

- Screw type
 - X: W/O screw
 - S: W/ #4-40(UNC) screw
- Contact plating
 - 0: Selective gold flash
- Shell plating
 - N: Nickel
 - 6: Tin
- Color of housing
 - W: WHITE
 - B: BLACK
 - V: Ivory



GENERAL TOLERANCE		ANGLE TOLERANCE		PROJECTION		TITLE	DVI PLUG 24+1(JDB-241)	
X.	±0.60	X.	±5°	UNITS	mm			
.X	±0.38	.X	±3°	SHEET SIZE	A4	SERIES	DS1088	
.XX	±0.25	.XX	±2°			晨翔电子有限公司 CONNFLY CONNFLY ELECTRONIC CO. LTD		
DRAWING TYPE		CUSTOMER						
SCALE		1:1	SHEET	1 OF 1				
DRAWING NO.		C-DS1088-XXXX						

REV.	DESCRIPTION	DRAWN	CHECKED	APPROVED
A	NEW RELEASE	LL 12/02/06'		



#4-40(UNC) SCREW

NOTES:

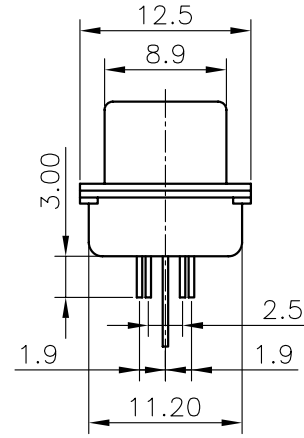
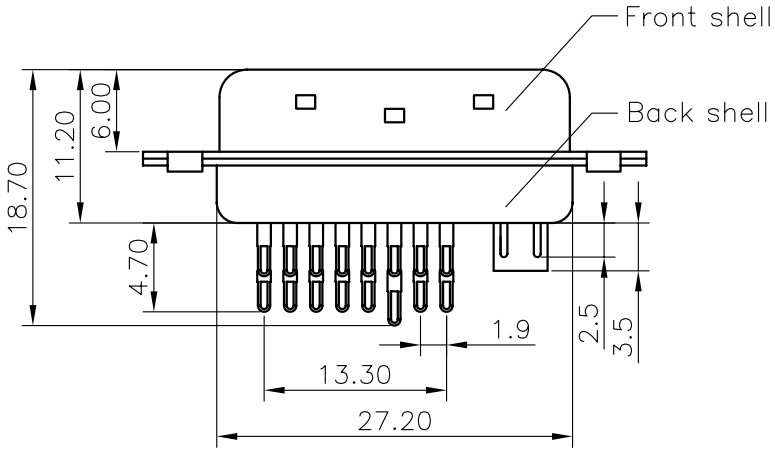
1. SPECIFICATIONS

- . Contact Resistance: 30mΩ max
- . Insulation Resistance: 1000MΩ min.
- . Current Rating: 1A
- . Dielectric withstanding voltage: AC 500V For 1 minute
- . Contact: Copper alloy.
- . Housing: Thermoplastic(UL 94V-0)
- . Resistance to soldering heat: 260±5°C 5±0.5s.

2. PRODUCT NUMBER CODE:

DS1089 - X X X X


- SCREW TYPE
- X:W/O SCREW
- S:W/ #4-40(UNC) SCREW
- Contact plating
- 0: Selective gold flash
- Shell plating
- N: Front shell Nickel,Back shell Tin
- T: Front & back shell Tin
- Color of housing
- W: WHITE
- K: BLACK
- V: Ivory



GENERAL TOLERANCE	ANGLE TOLERANCE
X. ±0.60	X. ±5°
.X ±0.38	.X ±3°
.XX ±0.25	.XX ±2°

PROJECTION	TITLE
UNITS	DVI PLUG 24+5
SHEET SIZE	SERIES DS1089 RoHS SERIES

DRAWING TYPE	CUSTOMER
SCALE	1:1 SHEET 1 OF 1
DRAWING NO.	C-DS1089-XXXX


晨翔电子有限公司
CONNFLY CONNFLY ELECTRONIC CO. LTD