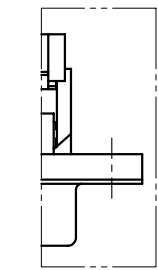


REV.	DESCRIPTION	DRAWN	CHECKED	APPROVED
A	NEW RELEASE	YCH 02/01/07	~	LJC 02/01/07
B	整理圖面	YCH 08/15/07	~	

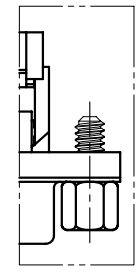
- NOTES:
- ELECTRICAL CHARACTERISTICS:
 - CONTACT RESISTANCE: 30mΩ Max.INITIAL.
 - DIELECTRIC WITHSTANDING VOLTAGE:500V AC(rms) FOR 1 MINUTE.
 - INSULATION RESISTANCE:1000MΩ Min.
 - MECHANICAL CHARACTERISTICS:
 - DURABILITY: 300 CYCLES.
 - ENVIRONMENT CHARACTERISTICS:
 - TEMPERATURE RANGE: -40°C~+105°C.
 - PRODUCT NUMBER CODE:
DS1036 - XX X X X X X X

Position	D±0.2		E±0.2	
	A±0.1	B±0.2	C±0.2	
9P	10.16	30.80	24.99	17.90 16.33 19.00
15P	17.78	39.14	33.32	26.50 24.66 27.34
25P	30.48	53.04	47.04	40.00 38.38 41.24
37P	45.72	69.32	63.50	56.50 54.84 57.52

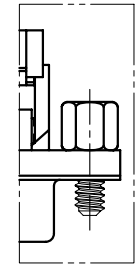
- SCREW TYPE
- X:W/O SCREW
- 1:CC TYPE
- 2:CS TYPE
- RIVET TYPE
- P:W/ THREAD(UNC #4-40)
- N:W/O THREAD
- CONTACT PLATING
- Si: SELECTIVE GOLD FLASH
- HOUSING COLOR
- U:BLUE
- B:BLACK
- STRAIN RELIEF
- P:W/
- N:W/O
- CONNECTOR TYPE
- M:MALE
- F:FEMALE
- No.OF CONTACTS
- 09:9pos 15:15pos
- 25:25pos 37:37pos



W/O SCREW TYPE

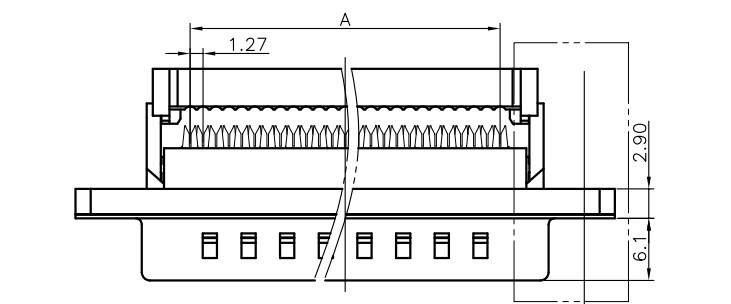
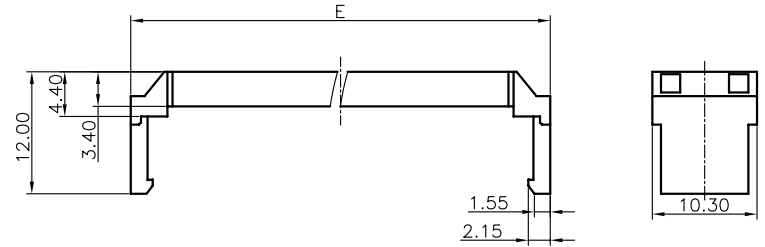


CC TYPE

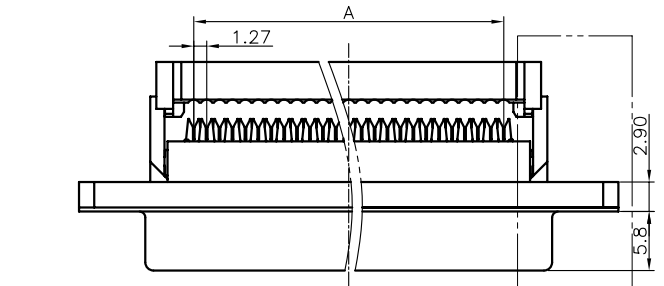
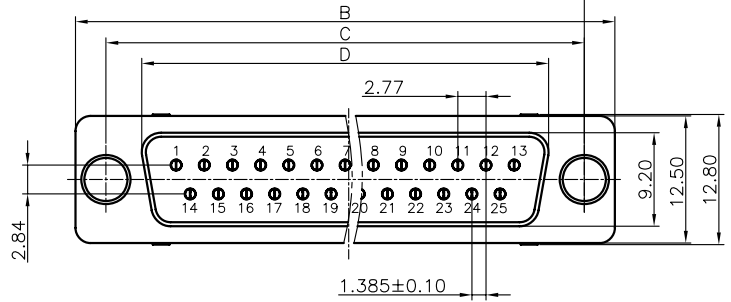


CS TYPE

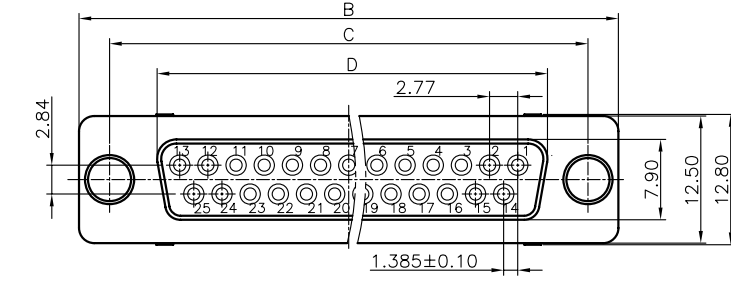
UPPER COVER



Male

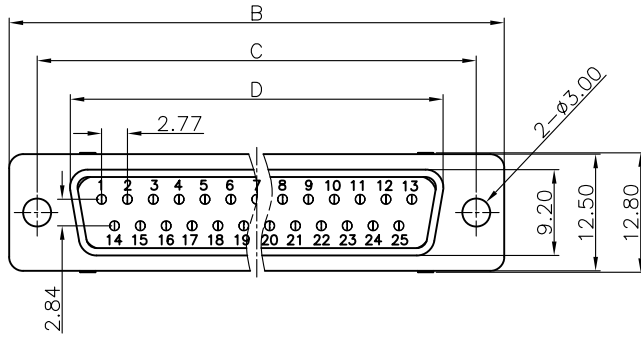
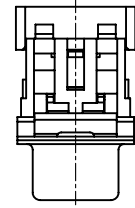
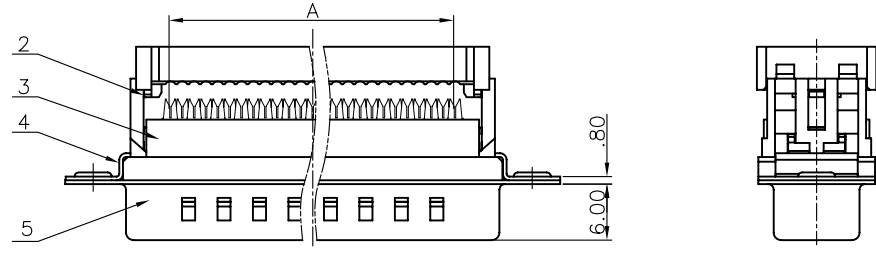


Female



GENERAL TOLERANCE		ANGLE TOLERANCE		PROJECTION		TITLE	I.D.C D-SUB	
X.	±0.60	X.	±3°	UNITS	mm			
.X	±0.38	.X	±2°	SHEET SIZE	A4	SERIES	DS1036 SERIES	
.XX	±0.25	.XX	±1°	晨翔电子有限公司 CONNFLY CONNFLY ELECTRONIC CO. LTD				
DRAWING TYPE		CUSTOMER						
SCALE	1:1	SHEET	1 OF 1					
DRAWING NO.		C-DS1036-XXXXXXX						

REV.	DESCRIPTION	DRAWN	CHECKED	APPROVED
A	NEW RELEASE	YCH 03/24/07'	~	LJC 03/24/07'
B	整理图面	YCH 08/14/07'	~	



Position	A±0.1	B±0.2	C±0.2	D±0.2	
				Male	Female
9P	10.16	30.80	24.99	17.90	16.33
15P	17.78	39.14	33.32	26.50	24.66
25P	30.48	53.04	47.04	40.00	38.38
37P	45.72	69.32	63.50	56.50	54.84

NOTES:

- ELECTRICAL CHARACTERISTICS:
 - CONTACT RESISTANCE: 30mΩ Max.INITIAL.
 - DIELECTRIC WITHSTANDING VOLTAGE:500V AC(rms) FOR 1 MINUTE.
 - INSULATION RESISTANCE:1000MΩ Min.
- MECHANICAL CHARACTERISTICS:
 - DURABILITY: 300 CYCLES.
- ENVIRONMENT CHARACTERISTICS:
 - OPERATING TEMPERATURE: -40°C~+105°C.
- PRODUCT NUMBER CODE:
DS1036-02 -XX X X X X

CONTACT PLATING:
Si: SELECTIVE GOLD FLASH

HOUSING COLOR:
U:BLUE
B:BLACK

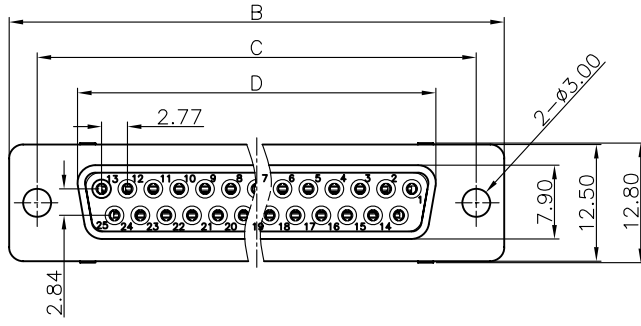
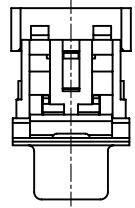
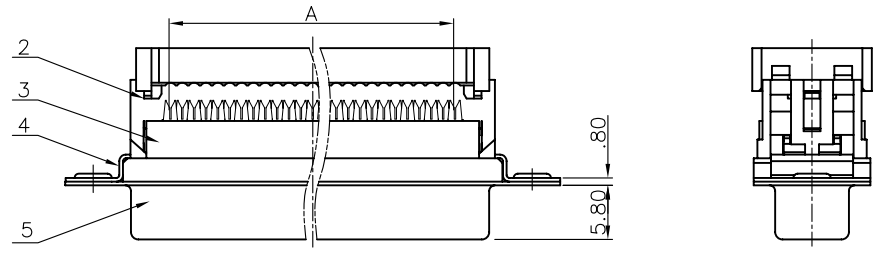
LATCH SUPPORT:
P:W/

CONNECTOR TYPE:
M:MALE
F:FEMALE

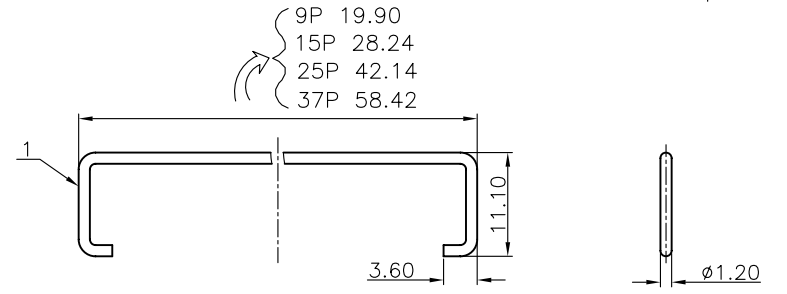
No.OF CONTACTS:
09:9pos
15:15pos
25:25pos
37:37pos

ITEM	PART NAME	MATERIAL	FINISHED
1	LATCH	STAINLESS STEEL	
2	MIDDLE COVER	PBT 30%G.F	UL 94 V-0
3	HOUSING	PBT 30%G.F	UL 94 V-0
4	WASHER	STEEL	Tin Plated
5	SHELL	STEEL	Nickel Plated


MALE



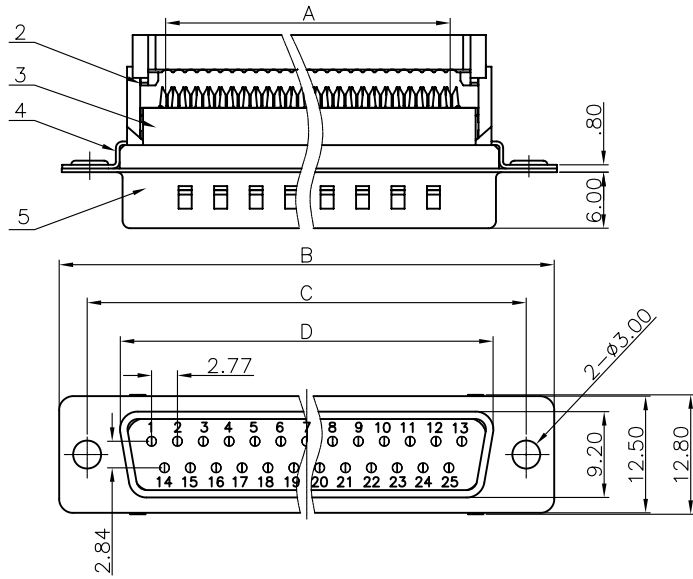
FEMALE



9P	19.90
15P	28.24
25P	42.14
37P	58.42

GENERAL TOLERANCE		ANGLE TOLERANCE		PROJECTION	TITLE	D-SUB IDC WITH LATCH TYPE	
X.	±0.60	X.	±5°	mm			
.X	±0.38	.X	±3°				
.XX	±0.25	.XX	±2°				
DRAWING TYPE		CUSTOMRE		SHEET SIZE	A4	SERIES	DS1036-02 SERIES
SCALE		1:1		SHEET		1 OF 1	
DRAWING NO.		C-DS1036-02-XXXXXX		 晨翔电子有限公司 CONNFLY CONNFLY ELECTRONIC CO. LTD			

REV.	DESCRIPTION	DRAWN	CHECKED	APPROVED
A	NEW RELEASE	YCH 08/13/07'	~	

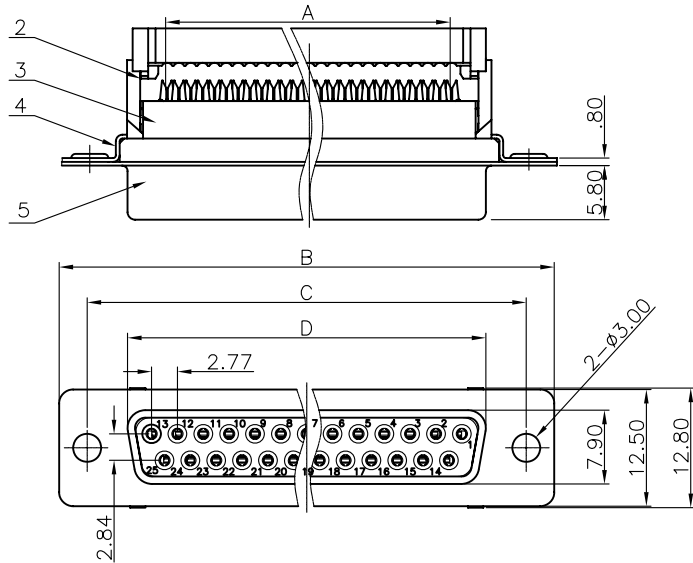


Position	A±0.1	B±0.2	C±0.2	D±0.2		E±0.2
				Male	Female	
9P	10.16	30.80	24.99	17.90	16.33	19.00
15P	17.78	39.14	33.32	26.50	24.66	27.34
25P	30.48	53.04	47.04	40.00	38.38	41.24
37P	45.72	69.32	63.50	56.50	54.84	57.52

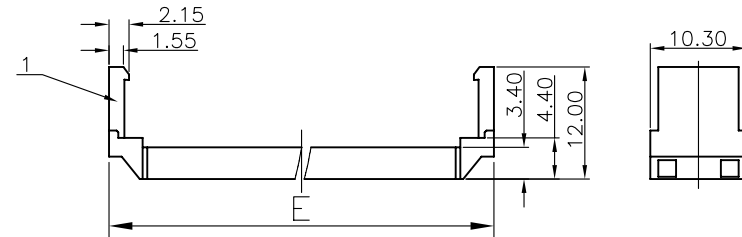
MALE

ITEM	PART NAME	MATERIAL	FINISHED
1	UPPER COVER	PBT 30%G.F	UL 94 V-0
2	MIDDLE COVER	PBT 30%G.F	UL 94 V-0
3	HOUSING	PBT 30%G.F	UL 94 V-0
4	WASHER	STEEL	Tin Plated
5	SHELL	STEEL	Nickel Plated

- NOTES:
- ELECTRICAL CHARACTERISTICS:
 - CONTACT RESISTANCE: 30mΩ Max.INITIAL.
 - DIELECTRIC WITHSTANDING VOLTAGE:500V AC(rms) FOR 1 MINUTE.
 - INSULATION RESISTANCE:1000MΩ Min.
 - MECHANICAL CHARACTERISTICS:
 - DURABILITY: 300 CYCLES.
 - ENVIRONMENT CHARACTERISTICS:
 - TEMPERATURE: -40°C~+105°C.
 - PRODUCT NUMBER CODE:
DS1036-03 -XX X X X X
- CONTACT PLATING:
Si: SELECTIVE GOLD FLASH
- HOUSING COLOR:
U:BLUE
B:BLACK
- STRAIN RELIEF:
P:W/
N:W/O
- CONNECTOR TYPE:
M:MALE
F:FEMALE
- No.OF CONTACTS:
09:9pos
15:15pos
25:25pos
37:37pos




FEMALE



UPPER COVER

GENERAL TOLERANCE		ANGLE TOLERANCE		PROJECTION	TITLE	D-SUB IDC WITH SHIELDING & COVER TYPE	
X.	±0.60	X.	±5°	mm			
.X	±0.38	.X	±3°				
.XX	±0.25	.XX	±2°				
DRAWING TYPE		CUSTOMRE		SHEET SIZE	SERIES	DS1036-03 SERIES	
SCALE		1:1	SHEET	1 OF 1			
DRAWING NO.		C-DS1036-03-XXXXXX					

 **晨翔电子有限公司**
CONNFLY CONNFLY ELECTRONIC CO. LTD

REV.	DESCRIPTION	DRAWN	CHECKED	APPROVED
A	NEW RELEASE	YCH 08/14/07	~	

NOTES:

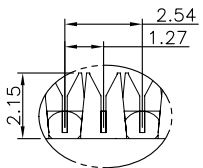
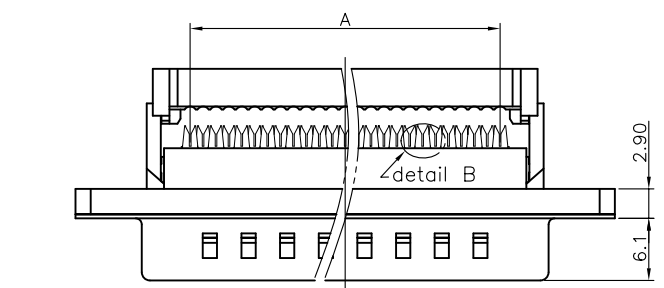
- ELECTRICAL CHARACTERISTICS:
 - CONTACT RESISTANCE: 30mΩ Max.INITIAL.
 - DIELECTRIC WITHSTANDING VOLTAGE:500V AC(rms) FOR 1 MINUTE.
 - INSULATION RESISTANCE:1000MΩ Min.
- MECHANICAL CHARACTERISTICS:
 - DURABILITY: 300 CYCLES.
- ENVIRONMENT CHARACTERISTICS:
 - TEMPERATURE:-40°C~+105°C.

4. PRODUCT NUMBER CODE:

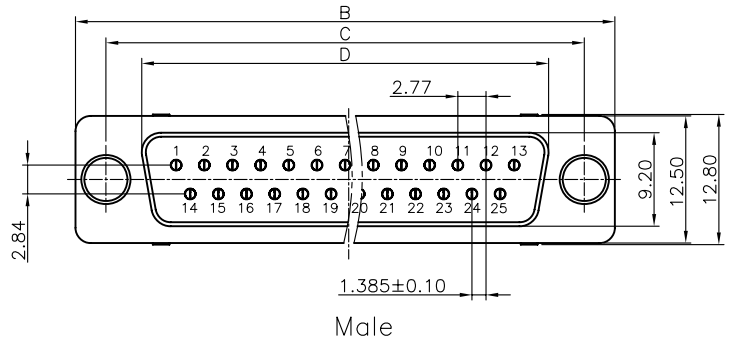
DS1036-04 - XX X X X X X

- XX RIVET TYPE
- X P:W/ THREAD(UNC #4-40)
- X N:W/O THREAD
- X CONTACT PLATING
- X Si: SELECTIVE GOLD FLASH
- X HOUSING COLOR
- U:BLUE
- B:BLACK
- LATCH SUPPORT:
- P:W/
- N:W/O
- CONNECTOR TYPE
- M:MALE
- F:FEMALE
- No.OF CONTACTS
- 09:9pos
- 15:15pos
- 25:25pos
- 37:37pos

9P 19.90
15P 28.24
25P 42.14
37P 58.42

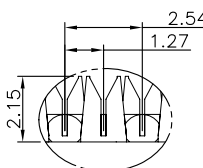
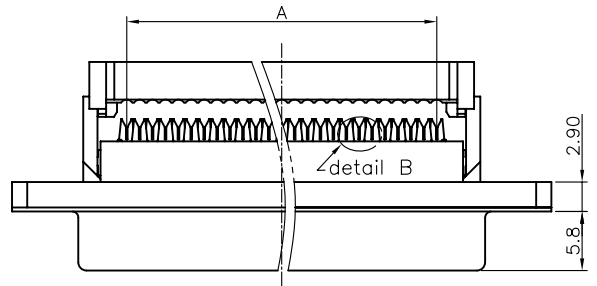


detail B
Scale 3:1

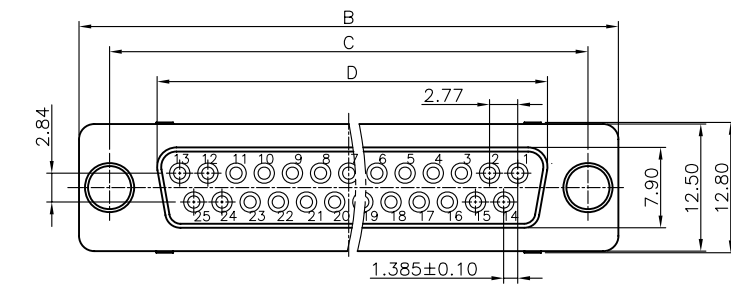


Position	A±0.1	B±0.2	C±0.2	D±0.2	
				Male	Female
9P	10.16	30.80	24.99	17.90	16.33
15P	17.78	39.14	33.32	26.50	24.66
25P	30.48	53.04	47.04	40.00	38.38
37P	45.72	69.32	63.50	56.50	54.84

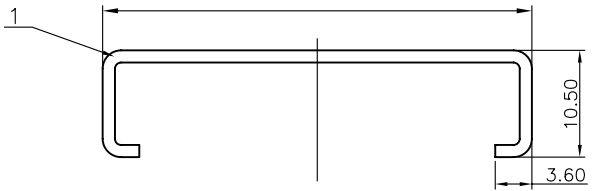
Male



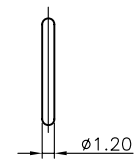
detail B
Scale 3:1



Female



LATCH



GENERAL TOLERANCE	ANGLE TOLERANCE
X. ±0.60	X. ±3°
.X ±0.38	.X ±2°
.XX ±0.25	.XX ±1°

PROJECTION	TITLE
UNITS mm	D-SUB IDC WITH RIVET & LATCH TYPE
SHEET SIZE A4	SERIES DS1036-04 SERIES

DRAWING TYPE	CUSTOMER
SCALE 1:1	SHEET 1 OF 1
DRAWING NO. C-DS1036-04-XXXXXXX	

晨翔电子有限公司
CONNFLY CONNFLY ELECTRONIC CO. LTD

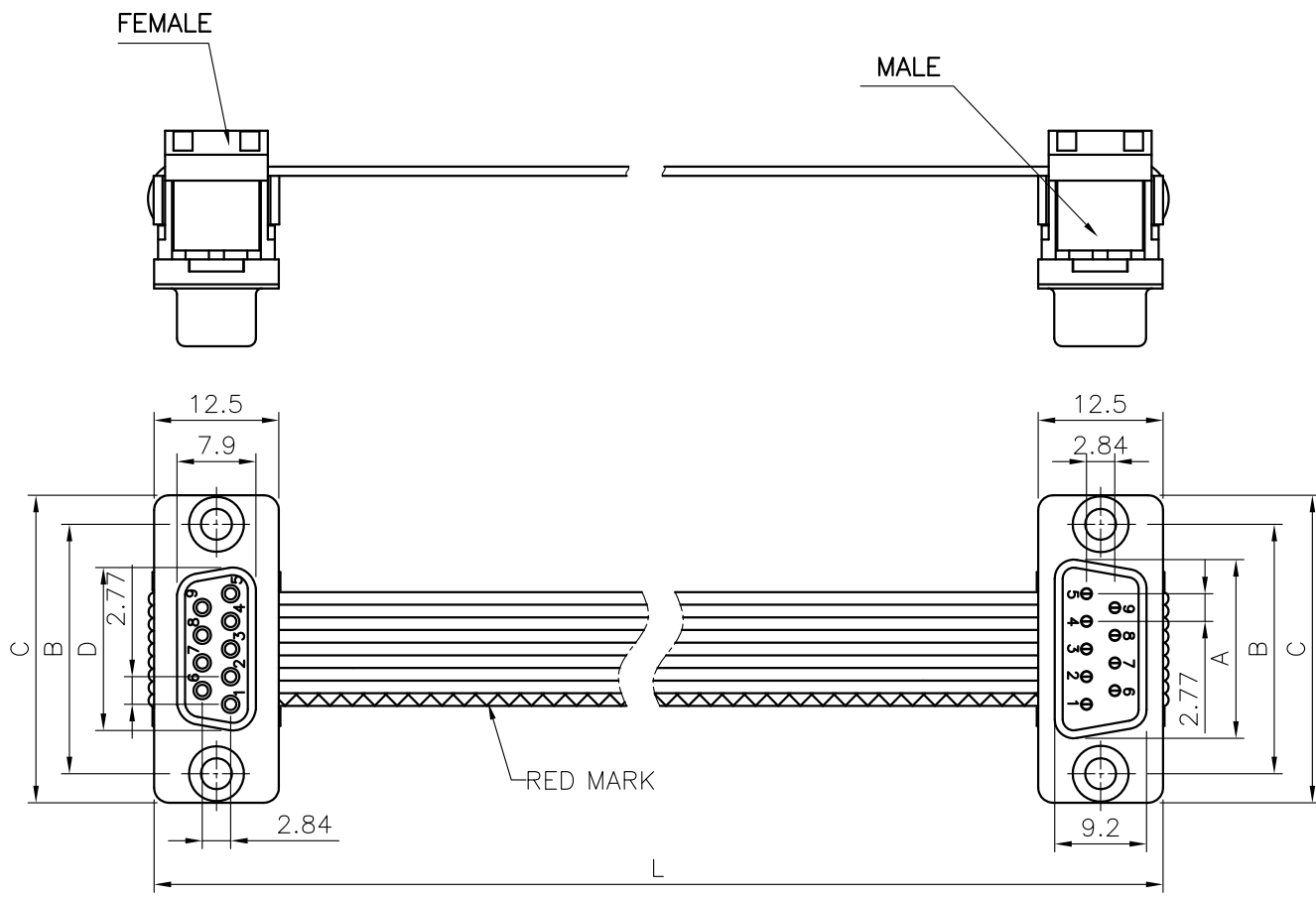
REV.	DESCRIPTION	DRAWN	CHECKED	APPROVED
A	NEW RELEASE	LL 07/12/06	~	LJC 07/12/06
B	整理图面	YCH 09/07/07	~	

NOTES:

- MATERIAL
 - Insulator: Thermoplastic(UL 94V-0)
 - Contact: Copper Alloy
 - Sheel: Steel
- SPECIFICATIONS
 - Storage Temperature: -20~+80°C
 - Insulation Resistance: 1,000MΩ min
 - Dielectric Withstanding Voltage: AC500V Per Minute
- PRODUCT NUMBER CODE:

DS1054 - X X X X X X X X

- Cable Style
1: TYPE 1
- Length Dim L
A: 150mm
B: 500mm
C: 100mm
D: 400mm
E: 1500mm
- Wire Diameter
1:φ0.100 folwer mark
2:φ0.127 red mark
3:φ0.100 red mark
4:φ0.127 folwer mark
- Flat Cable Color
A:Gray
- Contact plating
0: Selective gold flash
- Shell plating
N:Nickel
- Housing color
B:Black
L:Blue
- Connector positions
09: 9pin 25: 25pin
15: 15pin 37: 37pin



Dimension


Position	A	B	C	D
09	17.90	24.99	30.80	16.33
15	26.50	33.32	39.14	24.66
25	40.00	47.04	53.04	38.38
37	56.50	63.50	69.32	54.84

GENERAL TOLERANCE		ANGLE TOLERANCE	
X.	±0.60	X.	±5°
.X	±0.38	.X	±3°
.XX	±0.25	.XX	±2°

DRAWING TYPE	CUSTOMER		
SCALE	1:1	SHEET	1 OF 1
DRAWING NO.	C-DS1054-XXXXXXX1		

PROJECTION	TITLE
UNITS	mm
SHEET SIZE	A4
SERIES	DS1054

IDC D-SUB WITH FLAT CABLE

 晨翔电子有限公司
CONNFLY CONNFLY ELECTRONIC CO. LTD

REV.	DESCRIPTION	DRAWN	CHECKED	APPROVED
A	NEW RELEASE	LL 07/12/06	~	LJC 07/12/06
B	整理图面	YCH 09/07/07	~	

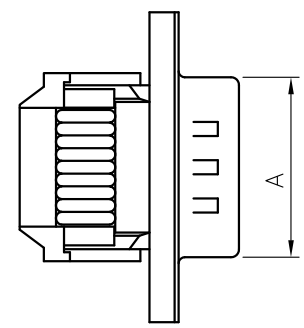
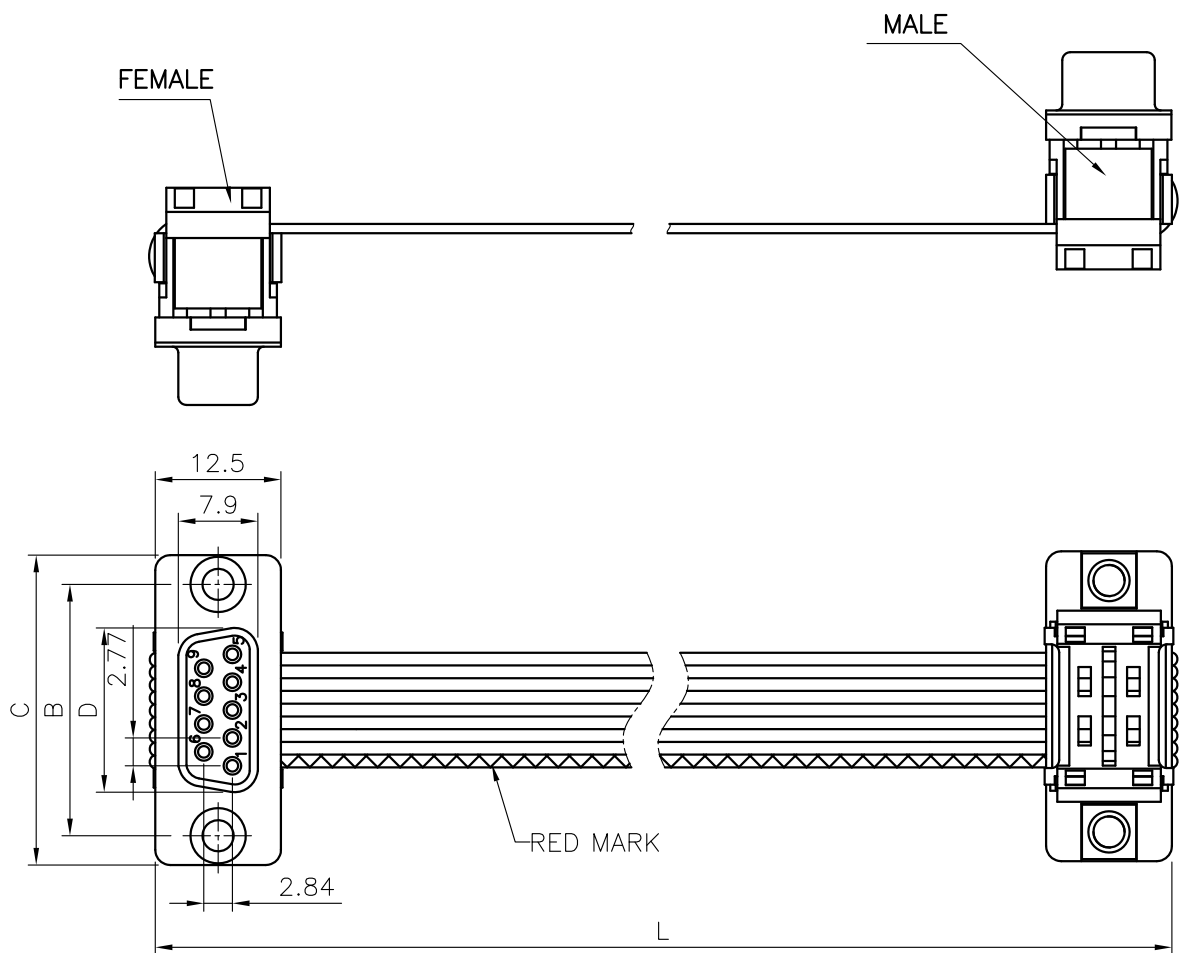
NOTES:

- MATERIAL
 - Insulator: Thermoplastic(UL 94V-0)
 - Contact: Copper Alloy
 - Shell: Steel
- SPECIFICATIONS
 - Storage Temperature: -20~+80°C
 - Insulation Resistance: 1,000MΩ min
 - Dielectric Withstanding Voltage: AC500V Per Minute

3. PRODUCT NUMBER CODE:

DS1054 - X X X X X X X X

Cable Style	_____
2: TYPE 2	_____
Length Dim L	_____
A: 150mm	_____
B: 500mm	_____
C: 100mm	_____
D: 400mm	_____
E: 1500mm	_____
Wire Diameter	_____
1:φ0.100 fowler mark	_____
2:φ0.127 red mark	_____
3:φ0.100 red mark	_____
4:φ0.127 fowler mark	_____
Flat Cable Color	_____
A:Gray	_____
Contact plating	_____
0: Selective gold flash	_____
Shell plating	_____
N:Nickel	_____
Housing color	_____
B:Black	_____
L:Blue	_____
Connector positions	_____
09: 9pin 25: 25pin	_____
15: 15pin 37: 37pin	_____



Dimension

Position	A	B	C	D
09	17.90	24.99	30.80	16.33
15	26.50	33.32	39.14	24.66
25	40.00	47.04	53.04	38.38
37	56.50	63.50	69.32	54.84

GENERAL TOLERANCE	ANGLE TOLERANCE
X. ±0.60	X. ±5°
.X ±0.38	.X ±3°
.XX ±0.25	.XX ±2°

PROJECTION	TITLE
UNITS mm	IDC D-SUB WITH FLAT CABLE
SHEET SIZE A4	SERIES DS1054

DRAWING TYPE	CUSTOMER
SCALE 1:1	SHEET 1 OF 1
DRAWING NO. C-DS1054-XXXXXXX2	


晨翔电子有限公司
CONNFLY CONNFLY ELECTRONIC CO. LTD

REV.	DESCRIPTION	DRAWN	CHECKED	APPROVED
A	NEW RELEASE	LL 07/12/06	~	LJC 07/12/06
B	整理图面	YCH 09/07/07	~	

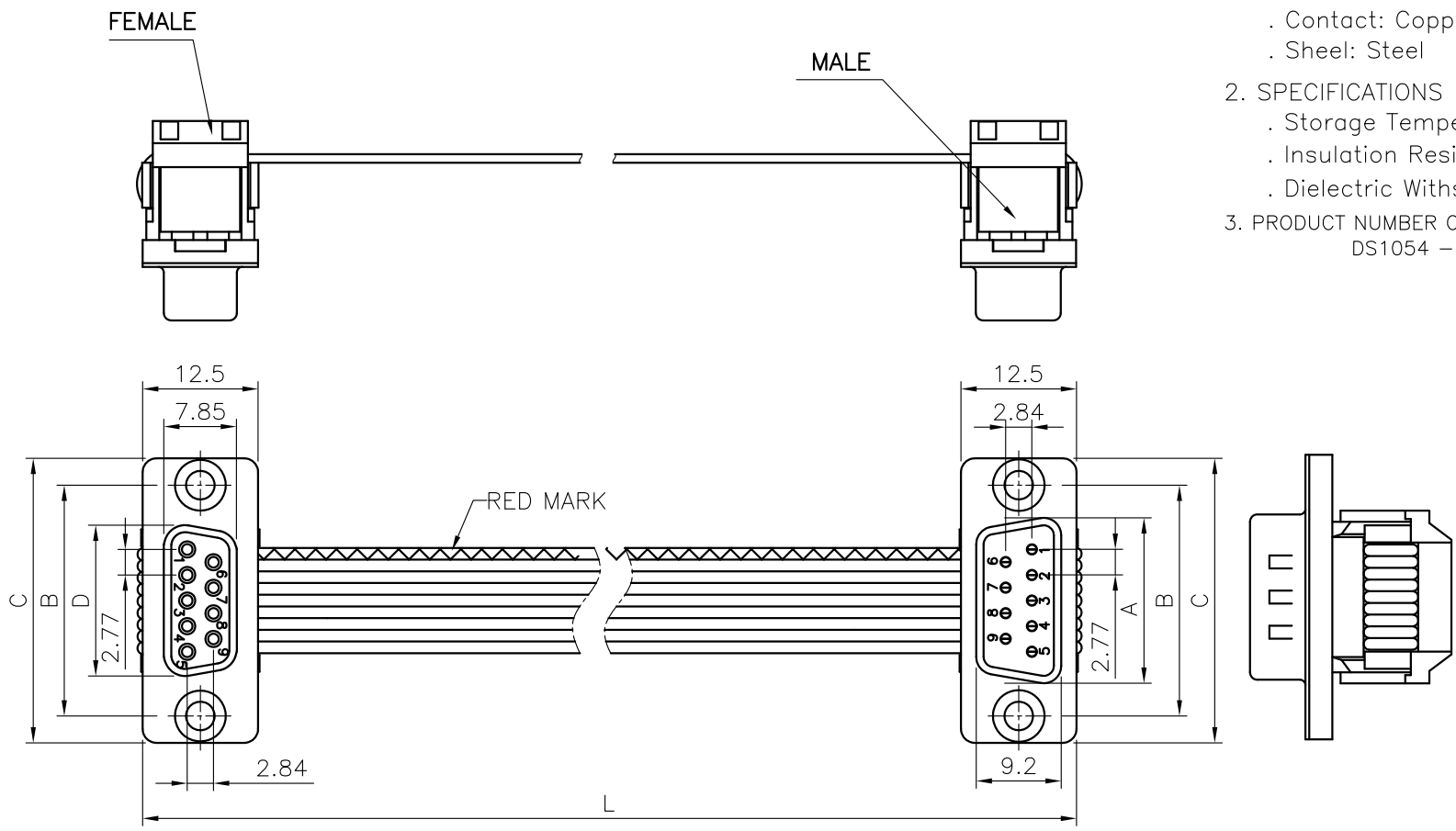
NOTES:

- MATERIAL
 - Insulator: Thermoplastic(UL 94V-0)
 - Contact: Copper Alloy
 - Shell: Steel
- SPECIFICATIONS
 - Storage Temperature: -20~+80°C
 - Insulation Resistance: 1,000MΩ min
 - Dielectric Withstanding Voltage: AC500V Per Minute

3. PRODUCT NUMBER CODE:

DS1054 - X X X X X X X X

- Cable Style
3: TYPE 3
- Length Dim L
A: 150mm
B: 500mm
C: 100mm
D: 400mm
E: 1500mm
- Wire Diameter
1:φ0.100 fowler mark
2:φ0.127 red mark
3:φ0.100 red mark
4:φ0.127 fowler mark
- Flat Cable Color
A:Gray
- Contact plating
0: Selective gold flash
- Shell plating
N:Nickel
- Housing color
B:Black
L:Blue
- Connector positions
09: 9pin 25: 25pin
15: 15pin 37: 37pin




Dimension

Position	A	B	C	D
09	17.90	24.99	30.80	16.33
15	26.50	33.32	39.14	24.66
25	40.00	47.04	53.04	38.38
37	56.50	63.50	69.32	54.84

GENERAL TOLERANCE	ANGLE TOLERANCE
X. ±0.60	X. ±5°
.X ±0.38	.X ±3°
.XX ±0.25	.XX ±2°

PROJECTION	TITLE
UNITS: mm	IDC D-SUB WITH FLAT CABLE
SHEET SIZE: A4	SERIES: DS1054

DRAWING TYPE	CUSTOMER
SCALE: 1:1	SHEET: 1 OF 1
DRAWING NO.:	C-DS1054-XXXXXXX3


晨翔电子有限公司
CONNFLY CONNFLY ELECTRONIC CO. LTD