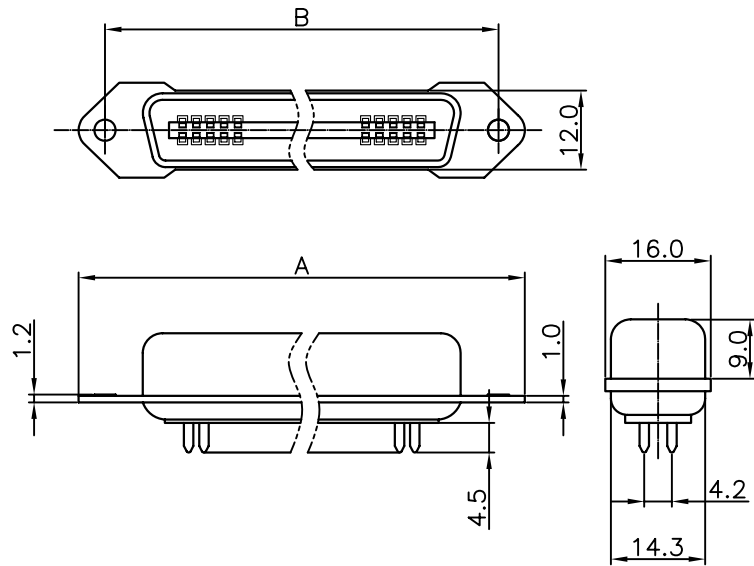


REV.	DESCRIPTION	DRAWN	CHECKED	APPROVED
A	NEW RELEASE	HP 14/06/05		

Male SERIES



Male dimensions

Positions	A	B
14	43.9	36.0
24	54.7	46.8
36	67.7	59.7
50	82.8	74.9

NOTES:

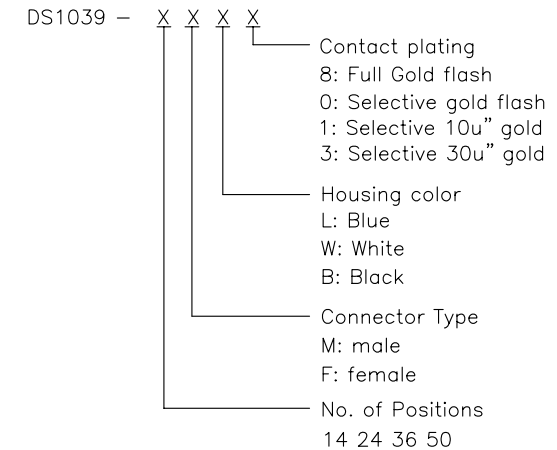
1. SPECIFICATION

- . Current rating: 3A.
- . Dielectric Strength: 500V For 1 minute
- . Insulation Resistance: 1000MΩ Min.at 500V DC
- . Contact resistance: 50mΩ max.
- . Temperature range: -40°C to +105°C

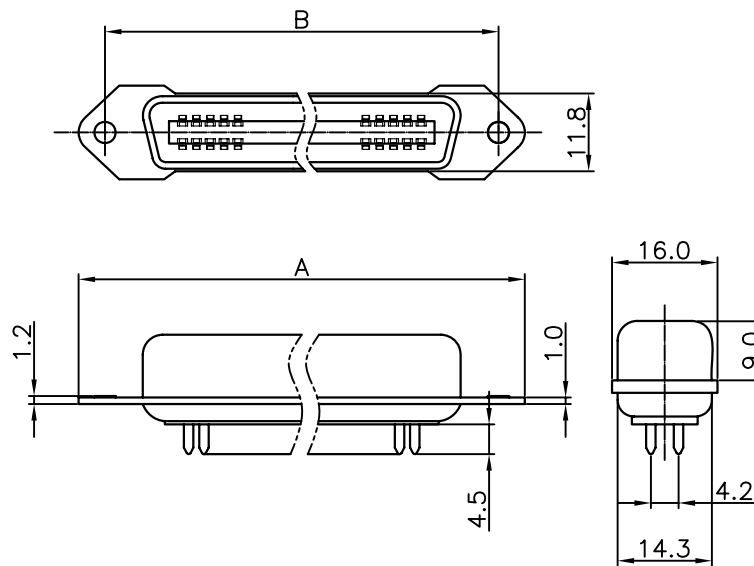
2. MATERIAL

- . Insulator: thermoplastic(UL 94V-0)
- . Contact: copper alloy
- . Shell: steel

3. PRODUCT NUMBER CODE:



Female SERIES



Female dimensions

Positions	A	B
14	43.9	36.0
24	54.7	46.8
36	67.7	59.7
50	82.8	74.9

GENERAL TOLERANCE	ANGLE TOLERANCE	PROJECTION		TITLE	CENTRONIC CONNECTOR P.C.B.STRALGHT
X. ±0.60	X. ±5°	UNITS	mm	SHEET SIZE	A4
.X ±0.38	.X ±3°	SHEET SIZE	A4	SERIES	DS1039
.XX ±0.25	.XX ±2°	晨翔电子有限公司 CONNFLY CONNFLY ELECTRONIC CO. LTD			
DRAWING TYPE	CUSTOMER				
SCALE	1:1 SHEET 1 OF 1				
DRAWING NO.	C-DS1039-XXXXX				

REV.	DESCRIPTION	DRAWN	CHECKED	APPROVED
A	NEW RELEASE	HP 17/06/05		

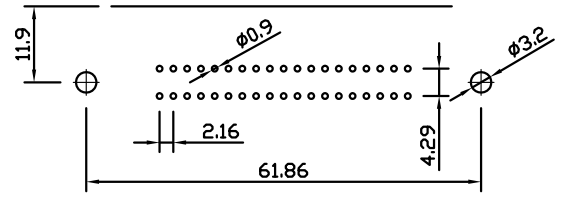
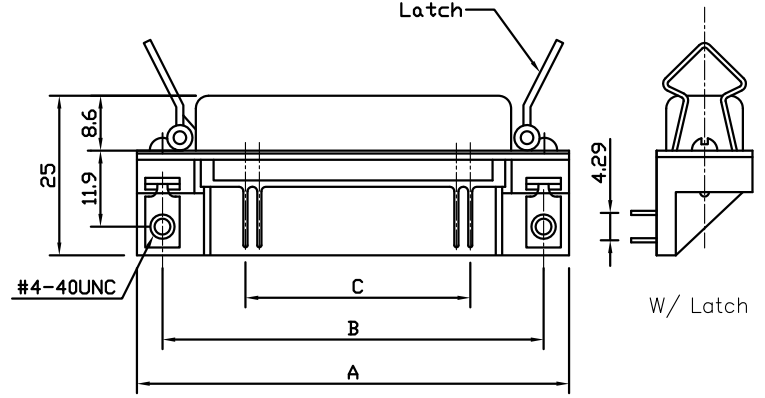
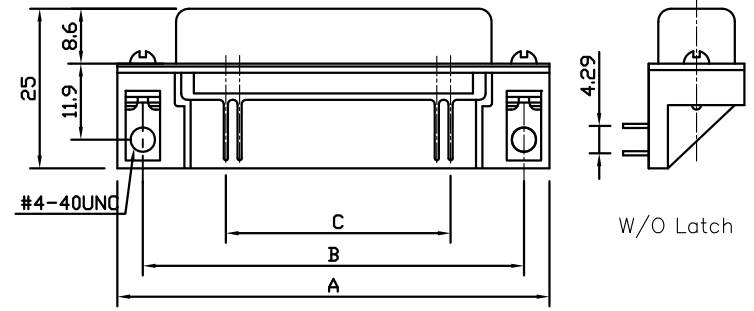
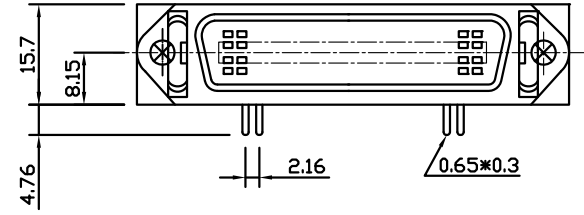
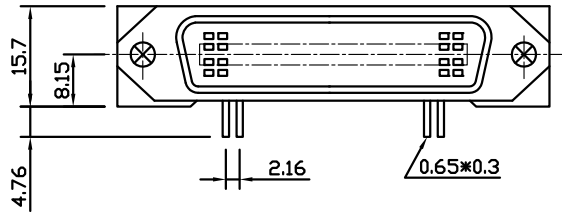
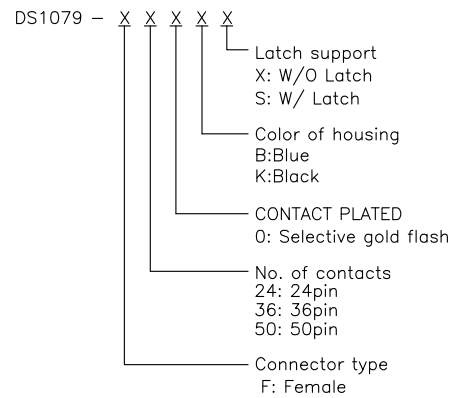
NOTES:

- MATERIALS
 - Insulator: PBT+30% Glass Fiber(UL 94V-0)
 - Contact: Copper alloy
 - Shell: Steel
 - Latch: Stainless steel
- SPECIFICATION
 - Current Rating: 3A
 - Dielectric withstanding voltage: 500V For 1 minute
 - Insulator Resistance: 1000MΩ min
 - Temperature Range: -40°C ~ +105°C

3. FEATURES

- Low cost, high density PCB mounted connector will mate to other ribbon type connectors
- One piece connector design reduce installation time up to 2/3 for lowest installed cost benefits

4. PRODUCT NUMBER CODE:



(TOLERANCE=±0.05)
RECOMMEND PCB LAYOUT

Shell Size	A	B	C
36pin	67.7	59.7	36.72
50pin	82.8	74.9	51.84

GENERAL TOLERANCE		ANGLE TOLERANCE		PROJECTION		TITLE	CENTRONIC CONNECTOR RIGHT ANGLE		
X. ±0.60	.X ±0.38	.XX ±0.25	X. ±5°	.X ±3°	.XX ±2°	mm	A4		
DRAWING TYPE		CUSTOMER		SHEET SIZE	A4	SERIES	DS1079		
SCALE		1:1		SHEET	1 OF 1				
DRAWING NO.		C-DS1079-XXXXX							

晨翔电子有限公司
CONNFLY CONNFLY ELECTRONIC CO. LTD

NOTES:

1. SPECIFICATION

- . Current rating: 5A.
- . Dielectric Strength: 500V For 1 minute
- . Insulation Resistance: 1000MΩ Min.at 500V DC
- . Contact resistance: 50mΩ max.
- . Temperature range: -40°C to +105°C

2. MATERIAL

- . Insulator: thermoplastic(UL 94V-0)
- . Contact: copper alloy
- . Shell: steel

3. PRODUCT NUMBER CODE:

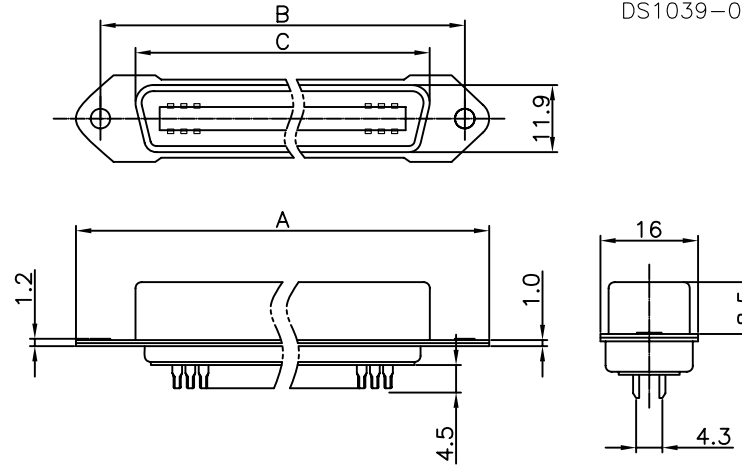
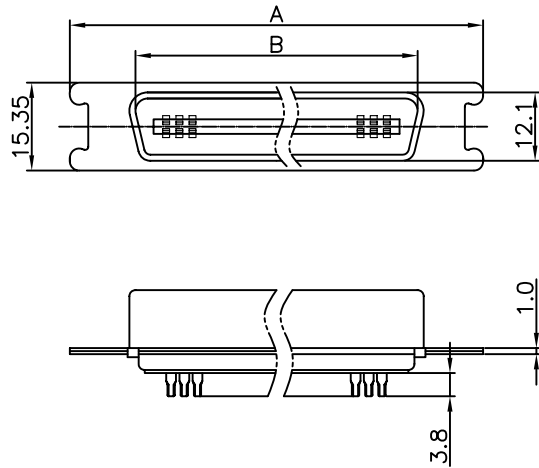
DS1039-01 - X X X X X

- Latch Support
S: W/ Latch
X: W/O Latch
- Contact plating
0: Selective gold flash
1: Selective 10u" gold
3: Selective 30u" gold
- Housing color
L: Blue
W: White
B: Black
- Connector Type
M: male
F: female
- No. of Positions
14 24 36 50

REV.	DESCRIPTION	DRAWN	CHECKED	APPROVED
A	NEW RELEASE	LJC 01/16/09		

Male SERIES

Female SERIES

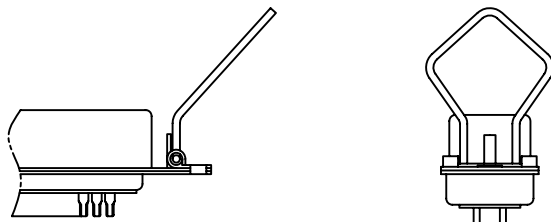


Male dimensions

Positions	A	B
14	38.5	25.6
24	49.3	36.3
36	62.1	49.3
50	77.4	64.4

Female dimensions

Positions	A	B	C
14	43.9	36.0	25.2
24	54.7	46.8	36.0
36	67.7	59.7	48.9
50	82.8	74.9	64.1

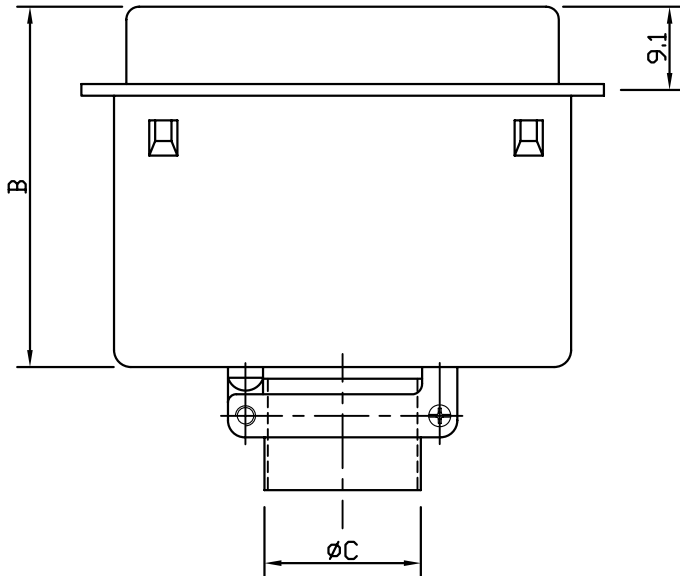
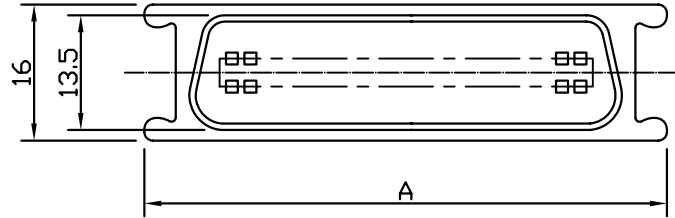


WITH LATCH TYPE

GENERAL TOLERANCE	ANGLE TOLERANCE	PROJECTION	TITLE	CENTRONIC CONNECTOR SOLDER TYPE	
X. ±0.60	X. ±5°	UNITS	mm		
.X ±0.38	.X ±3°	SHEET SIZE	A4	SERIES	DS1039-01
.XX ±0.25	.XX ±2°				
DRAWING TYPE	CUSTOMER				
SCALE	1:1	SHEET	1 OF 1		
DRAWING NO.	C-DS1039-01-XXXXX				

晨翔电子有限公司
CONNFLY CONNFLY ELECTRONIC CO. LTD

REV.	DESCRIPTION	DRAWN	CHECKED	APPROVED
A	NEW RELEASE	HP 17/06/05		LJC 17/06/05
B	更改尺寸	YCH 06/27/07		



Shell Size	A	B	C
36pin	61.5	30.2	$\phi 13.0$
50pin	76.7	33.0	$\phi 13.0$

ⓑ ⓑ

NOTES:

1. MATERIALS

- . Insulator: Thermoplastic(UL 94V 0)
- . Contact: Copper alloy
- . Shell: Steel
- . Hood: Steel
- . Washer: Steel

2. SPECIFICATION

- . Current Rating: 3A
- . Dielectric withstanding voltage: 500V For 1 minute
- . Insulator Resistance: 1000M Ω min
- . Temperature Range: -40°C ~ +105°C

3. PRODUCT NUMBER CODE:

DS1078 - X X X X

Color of housing
L:Blue
B:Black

CONTACT PLATED
0: Selective gold flash

Connector type
M: Male
F: Female

No. of contacts
24: 24pin
36: 36pin
50: 50pin

GENERAL TOLERANCE		ANGLE TOLERANCE		PROJECTION		TITLE	
X.	± 0.60	X.	$\pm 5^\circ$	UNITS	mm	CENTRONIC CONNECTORS SOLDER	
.X	± 0.38	.X	$\pm 3^\circ$	SHEET SIZE	A4		SERIES DS1078
.XX	± 0.25	.XX	$\pm 2^\circ$	晨翔电子有限公司 CONNFLY CONNFLY ELECTRONIC CO. LTD			
DRAWING TYPE	CUSTOMER						
SCALE	1:1	SHEET	1 OF 1				
DRAWING NO.	C-DS1078-XXXX						

REV.	DESCRIPTION	DRAWN	CHECKED	APPROVED
A	NEW RELEASE	LJC 08/17/07'	~	

NOTES:

1. MATERIALS:

- . Housing: Thermoplastic(UL 94 V-0).
- . Hood: ABS.
- . Washer: ABS.
- . Shell: Steel.
- . Contact: Copper alloy.
- . Screw: Steel.

2. SPECIFICATION:

- . Current Rating: 3A
- . Dielectric withstanding voltage: 500V For 1 minute
- . Insulator Resistance: 1000MΩ min
- . Temperature Range: -40°C ~ +105°C

3. PRODUCT NUMBER CODE:

DS1078-01 - X X X X X

Hood support

X: W/O Hood,SR & SCREWS

S: W/ Hood,SR & SCREWS

Color of housing

L:Blue

B:Black

CONTACT PLATED

0: Selective gold flash

Connector type

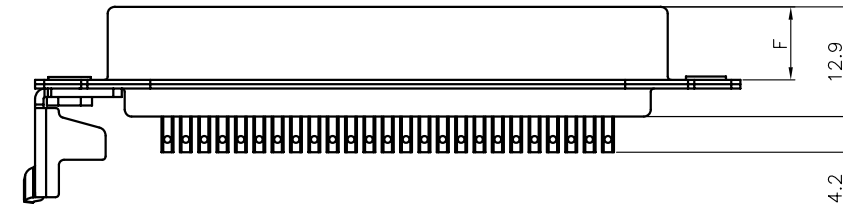
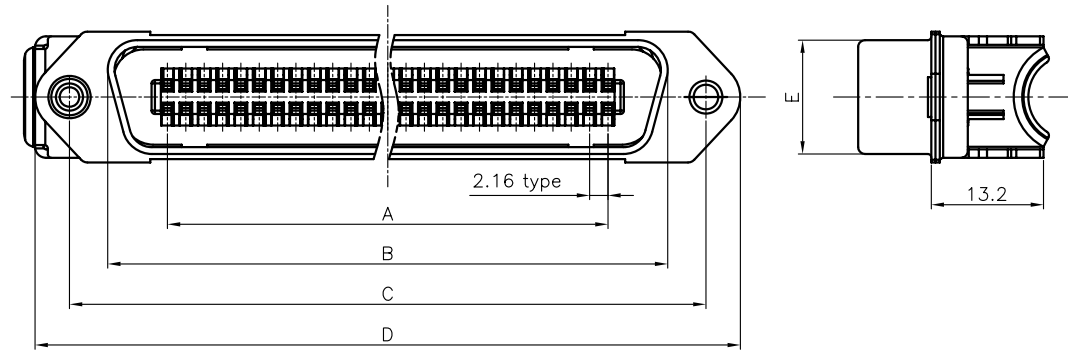
M: Male

F: Female

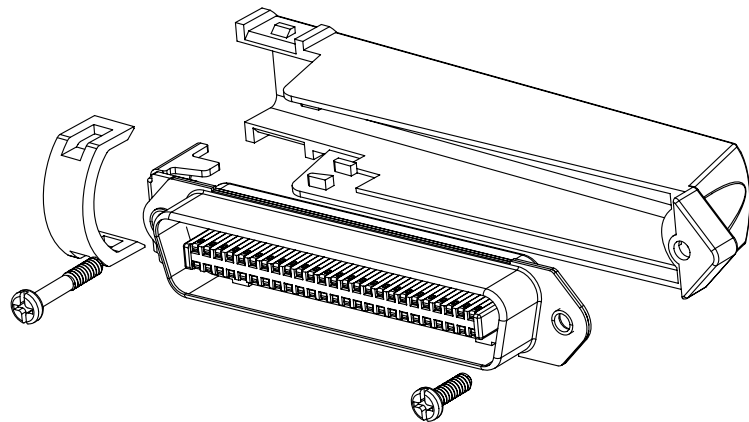
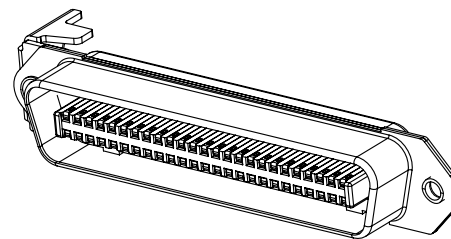
No. of contacts

36: 36pin

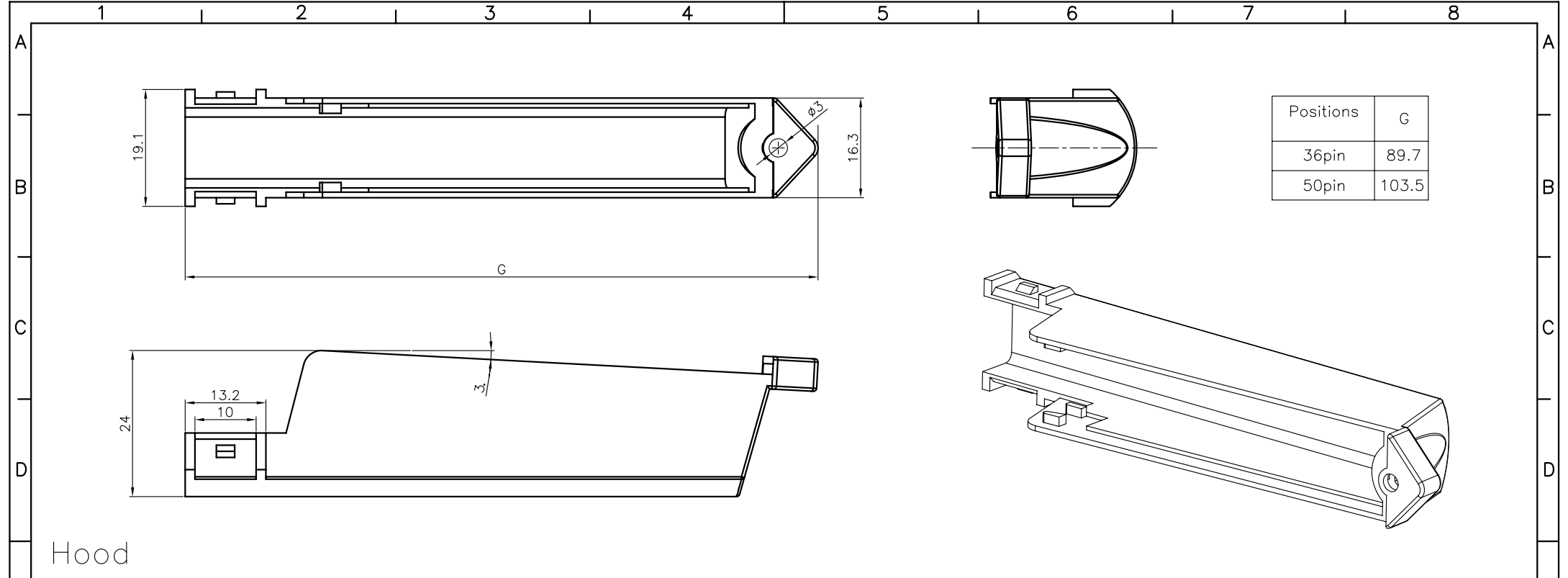
50: 50pin



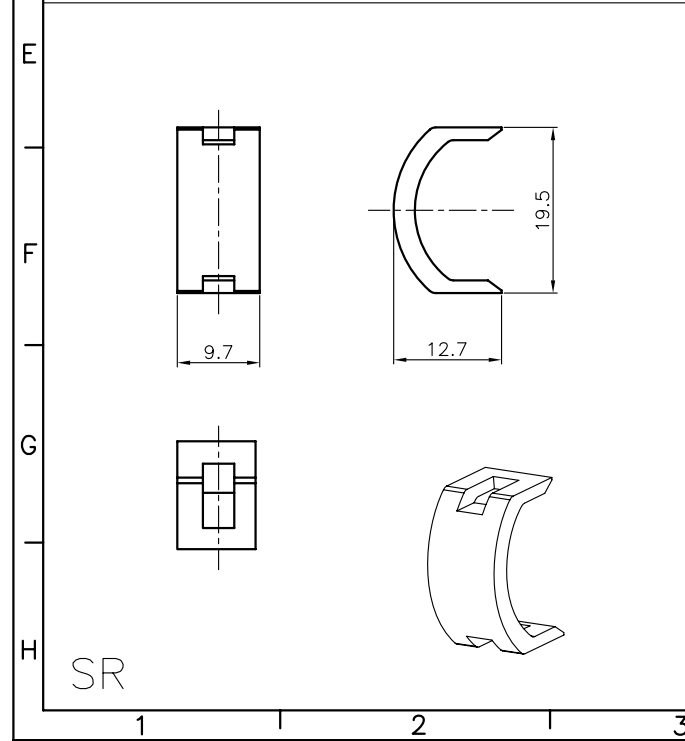
Positions	A	B		C	D	E		F	
		Male	Female			Male	Female	Male	Female
36pin	36.72	50.3	49.0	59.7	67.7	13.3	11.7	8.6	8.3
50pin	51.84	65.9	64.0	74.9	82.8	13.3	11.7	8.6	8.3



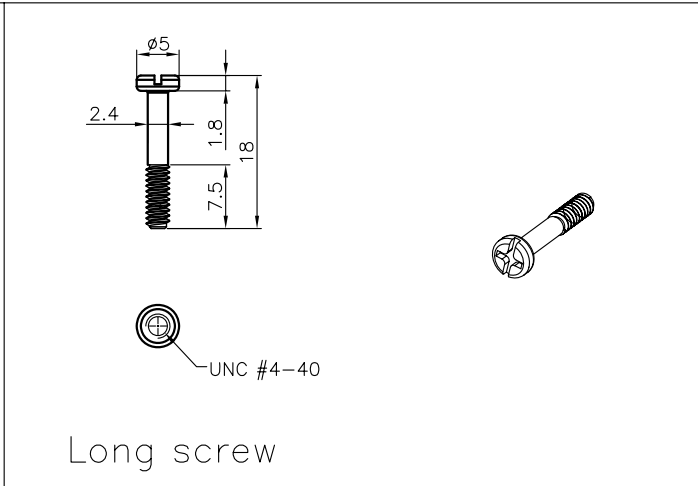
GENERAL TOLERANCE		ANGLE TOLERANCE		PROJECTION		TITLE	CENTRONIC CONNECTORS SOLDER WITH HOOD & SCREWS TYPE	
X.	±0.60	X.	±5°	UNITS	mm	SHEET	DS1078-01	
.X	±0.38	.X	±3°	SHEET SIZE	A4	SERIES	DS1078-01	
.XX	±0.25	.XX	±2°					
DRAWING TYPE		CUSTOMER		晨翔电子有限公司 CONNFLY CONNFLY ELECTRONIC CO. LTD				
SCALE		SHEET						
DRAWING NO.		C-DS1078-01-XXXXX						



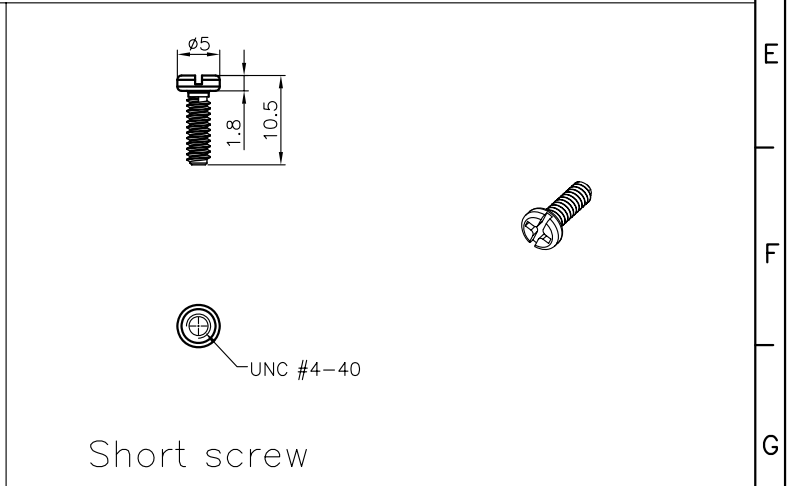
Hood



SR



Long screw



Short screw

GENERAL TOLERANCE		ANGLE TOLERANCE		PROJECTION		TITLE	HOOD SR & SCREWS OF DS1078-01		
X.	±0.60	X.	±5°	UNITS	mm				
.X	±0.38	.X	±3°	SHEET SIZE	A4	SERIES	DS1078-01		
.XX	±0.25	.XX	±2°						
DRAWING TYPE		CUSTOMER			晨翔电子有限公司 CONNFLY CONNFLY ELECTRONIC CO. LTD				
SCALE		1:1	SHEET 2 OF 2						
DRAWING NO.		C-DS1078-01-XXXXX							