

REV.	DESCRIPTION	DRAWN	CHECKED	APPROVED
A	NEW RELEASE	LL 11/16/06'		

NOTES:

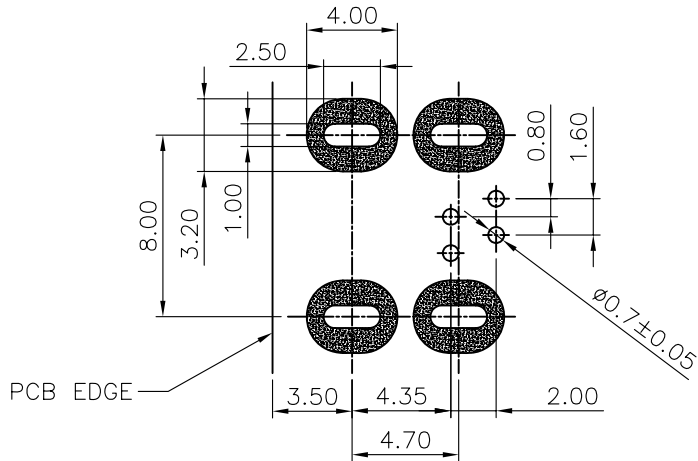
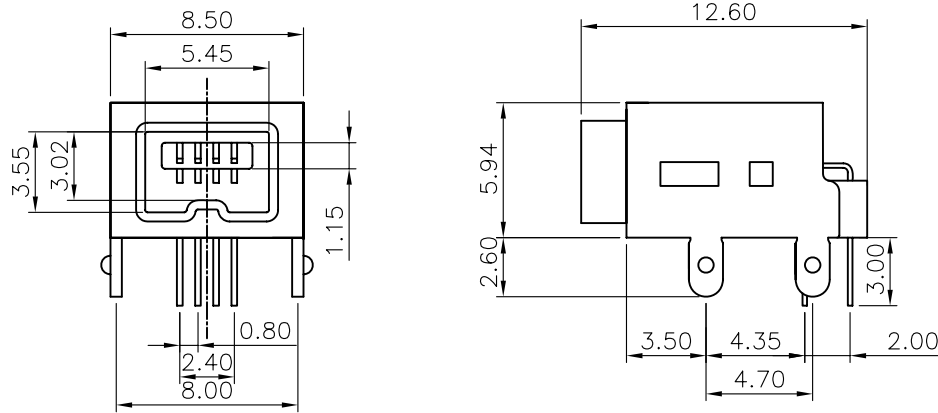
1. SPECIFICATIONS

- . Contact Resistance: 50mΩ max
- . Insulator Resistance: 100MΩ min.
- . Current Rating: 0.5A per pin max.
- . Rated Voltage: 30V DC
- . Dielectric withstanding voltage: AC 100V For 1 minute
- . Contact: Copper Alloy
- . Housing: Thermoplastic(UL 94V-0)

2. PRODUCT NUMBER CODE:

DS1111-

- X X X Contact plating
 - 0: Selective gold flash
 - C: Selective 3u" gold
- Shell plating
 - N: Nickel
 - 6: Tin
- Color of housing
 - B: Black



RECOMMEND PCB LAYOUT(Tolerance=±0.05)

GENERAL TOLERANCE		ANGLE TOLERANCE		PROJECTION		TITLE	
X.	±0.60	X.	±5°	UNITS	mm	MINI 1394 4PIN FEMALE RIGHT ANGLE	
.X	±0.38	.X	±3°	SHEET SIZE	A4	SERIES	DS1111 SERIES
.XX	±0.25	.XX	±2°	晨翔电子有限公司 CONNFLY CONNFLY ELECTRONIC CO. LTD			
DRAWING TYPE		CUSTOMER					
SCALE	1:1	SHEET	1 OF 1				
DRAWING NO.		C-DS1111-XXX					

REV.	DESCRIPTION	DRAWN	CHECKED	APPROVED
A	NEW RELEASE	LJH 05/09/05'		

NOTES:

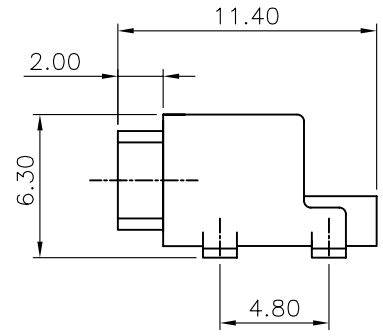
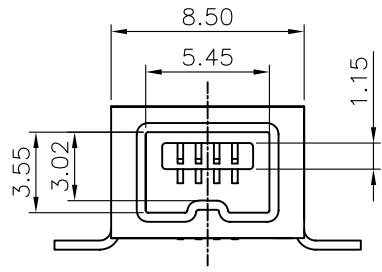
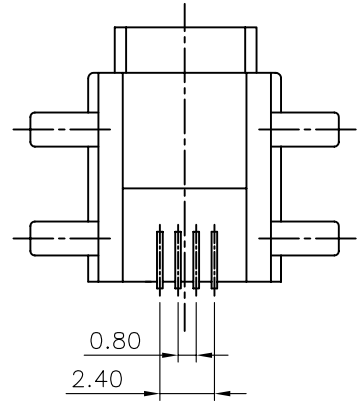
1. SPECIFICATIONS

- . Contact Resistance: 50mΩ max
- . Insulator Resistance: 100MΩ min.
- . Current Rating: 0.5A per pin max.
- . Rated Voltage: 30V DC
- . Dielectric withstanding voltage: AC 100V For 1 minute
- . Contact: Copper Alloy
- . Housing: Thermoplastic(UL 94V-0)

2. PRODUCT NUMBER CODE:

DS1112 - X X X

- Contact plating
- 0: Selective gold flash
- C: Selective 3u" gold
- Shell plating
- N: Nickel
- 6: Tin
- Color of housing
- B: Black



GENERAL TOLERANCE		ANGLE TOLERANCE		PROJECTION		TITLE	MINI 1394 4PIN FEMALE SMT type			
X.	±0.60	X.	±5°	UNITS	mm					
.X	±0.38	.X	±3°	SHEET SIZE	A4	SERIES	DS1112 SERIES			
.XX	±0.25	.XX	±2°			晨翔电子有限公司 CONNFLY CONNFLY ELECTRONIC CO. LTD				
DRAWING TYPE		CUSTOMER								
SCALE		1:1	SHEET	1 OF 1						
DRAWING NO.		C-DS1112-XXX								

REV.	DESCRIPTION	DRAWN	CHECKED	APPROVED
A	NEW RELEASE	LL 01/13/07		

NOTES:

1. SPECIFICATIONS

- . Contact Resistance: 50mΩ max
- . Insulator Resistance: 100MΩ min.
- . Current Rating: 1.5 A.
- . Rated Voltage: 30V DC
- . Dielectric withstanding voltage: AC 100V For 1 minute
- . Contact: Copper Alloy
- . Housing: Thermoplastic(UL 94V-0)

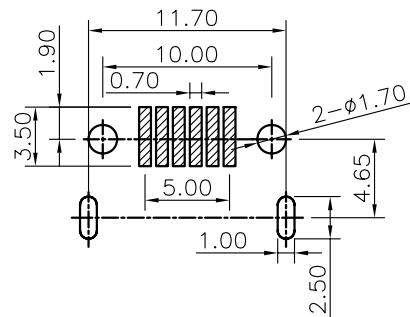
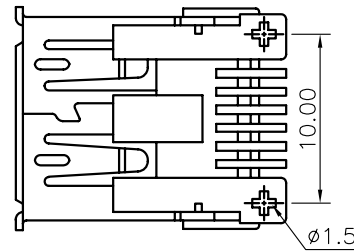
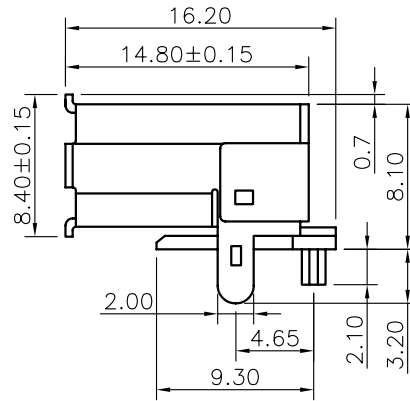
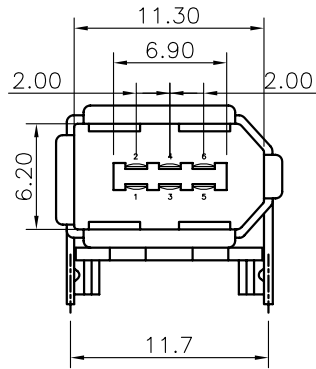
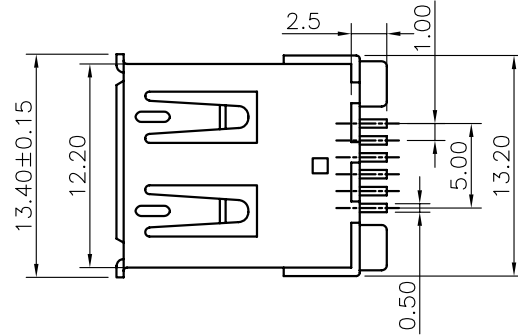
2. PRODUCT NUMBER CODE:

DS1102 - X X X

Contact plating
C: Selective 3u" gold

Shell plating
N: Nickel
6: Tin

Color of housing
B: Black



RECOMMEND P.C.B LAYOUT(TOLERANCE±0.05)

GENERAL TOLERANCE		ANGLE TOLERANCE		PROJECTION		TITLE	
X.	±0.60	X.	±5°	UNITS	mm	IEEE 1394 Female 6PIN SMD TYPE	
.X	±0.38	.X	±3°	SHEET SIZE	A4	SERIES	DS1102
.XX	±0.25	.XX	±2°	晨翔电子有限公司 CONNFLY CONNFLY ELECTRONIC CO. LTD			
DRAWING TYPE		CUSTOMER					
SCALE	1:1	SHEET	1 OF 1				
DRAWING NO.		C-DS1102-XXX					

REV.	DESCRIPTION	DRAWN	CHECKED	APPROVED
A	NEW RELEASE	HP 22/06/05		

NOTES:

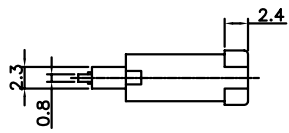
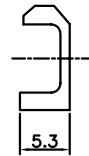
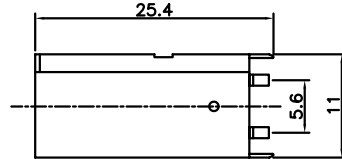
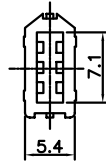
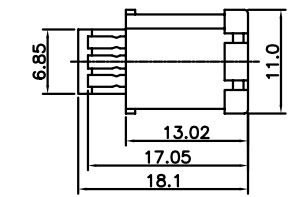
1. SPECIFICATIONS

- . Contact Resistance: 50mΩ max
- . Insulator Resistance: 100MΩ min.
- . Current Rating: 1.5A per pin max.
- . Rated Voltage: 30V DC
- . Dielectric withstanding voltage: AC 100V For 1 minute
- . Contact: Copper Alloy
- . Housing: Thermoplastic(UL 94V-0)

2. PRODUCT NUMBER CODE:

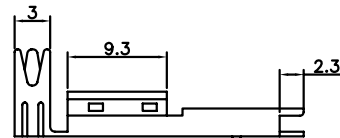
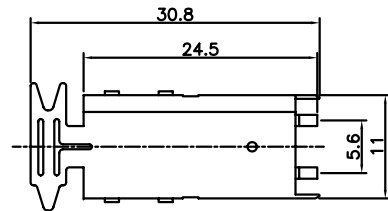
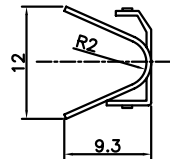
DS1106 - X X X

- Contact plating
 - 0: Selective gold flash
 - C: Selective 3u" gold
- Shell plating
 - N: Nickel
 - 6: Tin
- Color of housing
 - B: Black



Housing with contact

Upper shell



Down shell

GENERAL TOLERANCE		ANGLE TOLERANCE		PROJECTION		TITLE	IEEE 1394 6PIN MALE SOLDER TYPE				
X.	±0.60	X.	±5°	UNITS	mm	SHEET SIZE	A4	SERIES	DS1106		
.X	±0.38	.X	±3°								
.XX	±0.25	.XX	±2°								
DRAWING TYPE		CUSTOMER			晨翔电子有限公司 CONNFLY CONNFLY ELECTRONIC CO. LTD						
SCALE		1:1	SHEET							1 OF 1	
DRAWING NO.		C-DS1106-XXX									

REV.	DESCRIPTION	DRAWN	CHECKED	APPROVED
A	NEW RELEASE	LJH 05/09/05'		

NOTES:

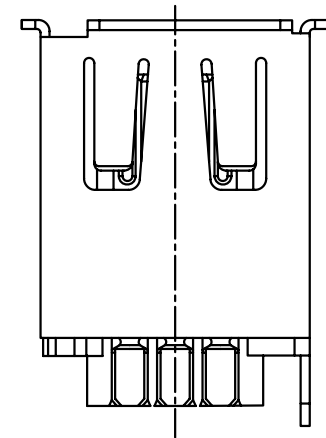
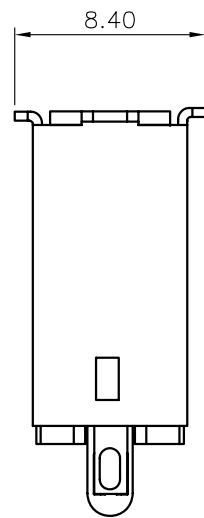
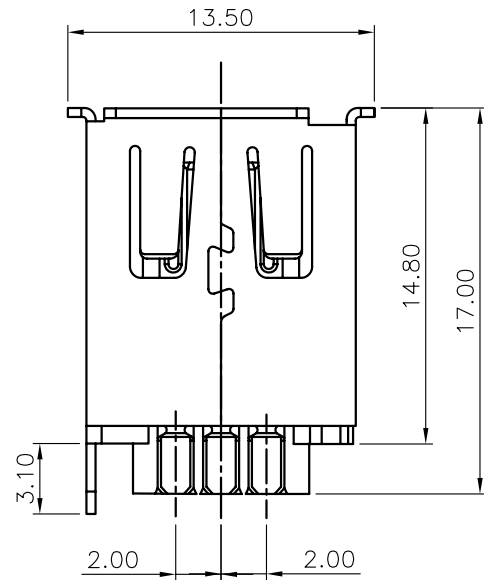
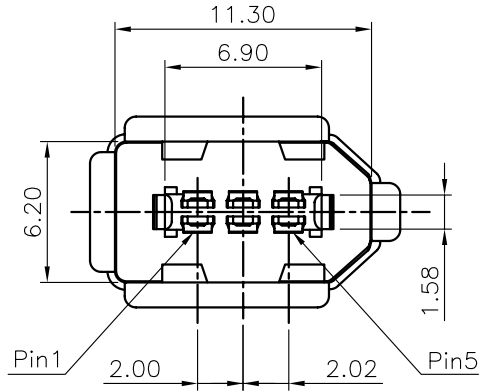
1. SPECIFICATIONS

- Contact Resistance: 50mΩ max
- Insulator Resistance: 100MΩ min.
- Current Rating: 1.5A per pin max.
- Rated Voltage: 30V DC
- Dielectric withstanding voltage: AC 100V For 1 minute
- Contact: Copper Alloy
- Housing: Thermoplastic(UL 94V-0)

2. PRODUCT NUMBER CODE:

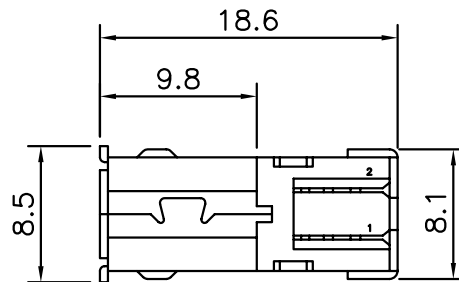
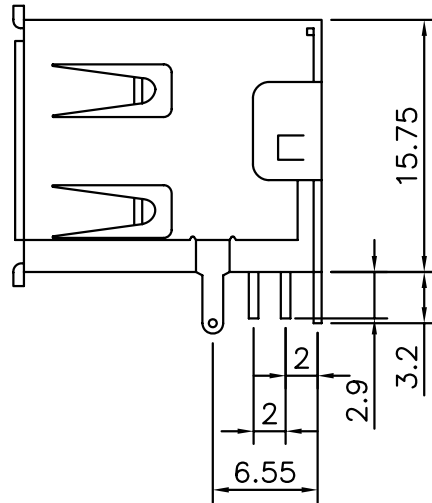
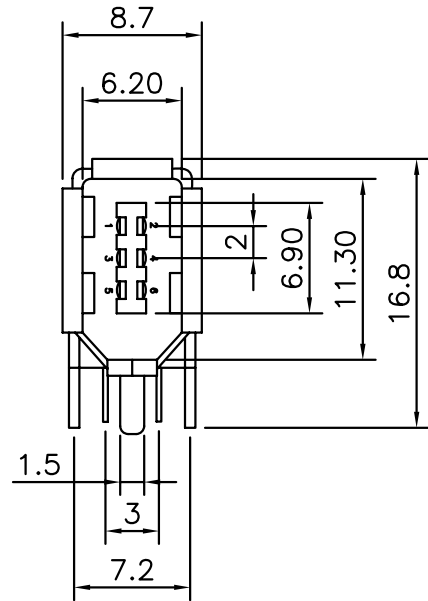
DS1113 - X X X

- Contact plating
 - 0: Selective gold flash
 - C: Selective 3u" gold
- Shell plating
 - N: Nickel
 - 6: Tin
- Color of housing
 - B: Black



GENERAL TOLERANCE		ANGLE TOLERANCE		PROJECTION		TITLE	IEEE 1394 6PIN FEMALE SOLDER TYPE	
X.	±0.60	X.	±5°	UNITS	mm			
.X	±0.38	.X	±3°	SHEET SIZE	A4	SERIES	DS1113 SERIES	
.XX	±0.25	.XX	±2°	晨翔电子有限公司 CONNFLY CONNFLY ELECTRONIC CO. LTD				
DRAWING TYPE		CUSTOMER						
SCALE	1:1	SHEET	1 OF 1					
DRAWING NO.		C-DS1113-XXX						

REV.	DESCRIPTION	DRAWN	CHECKED	APPROVED
A	NEW RELEASE	HP 21/06/05		



NOTES:

1. SPECIFICATIONS

- . Contact Resistance: 50mΩ max
- . Insulator Resistance: 100MΩ min.
- . Current Rating: 1.5 A.
- . Rated Voltage: 30V DC
- . Dielectric withstanding voltage: AC 100V For 1 minute
- . Contact: Copper Alloy
- . Housing: Thermoplastic(UL 94V-0)

2. PRODUCT NUMBER CODE:

DS1100 - X X X

- Contact plating
C: Selective 3u" gold
- Shell plating
N: Nickel
6: Tin
- Color of housing
B: Black

GENERAL TOLERANCE		ANGLE TOLERANCE		PROJECTION		TITLE	IEEE 1394 Female 6 PIN R/A TYPE	
X.	±0.60	X.	±5°	UNITS	mm	SHEET	1 OF 1	
.X	±0.38	.X	±3°	SHEET SIZE	A4	SERIES	DS1100	
.XX	±0.25	.XX	±2°	晨翔电子有限公司 CONNFLY CONNFLY ELECTRONIC CO. LTD				
DRAWING TYPE		CUSTOMER						
SCALE		1:1	SHEET					
DRAWING NO.		C-DS1100-XXX						

REV.	DESCRIPTION	DRAWN	CHECKED	APPROVED
A	NEW RELEASE	LL 10/29/06'		

NOTES:

1. SPECIFICATIONS

- . Contact Resistance: 50mΩ max
- . Insulator Resistance: 100MΩ min.
- . Current Rating: 1.5 A.
- . Rated Voltage: 30V DC
- . Dielectric withstanding voltage: AC 100V For 1 minute
- . Contact: Copper Alloy
- . Housing: Thermoplastic(UL 94V-0)

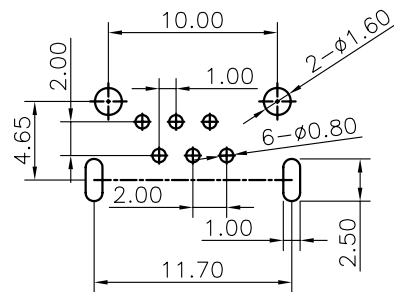
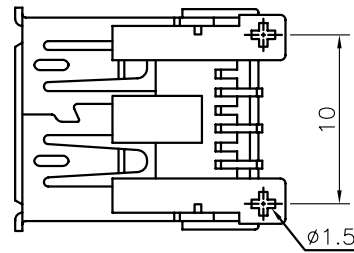
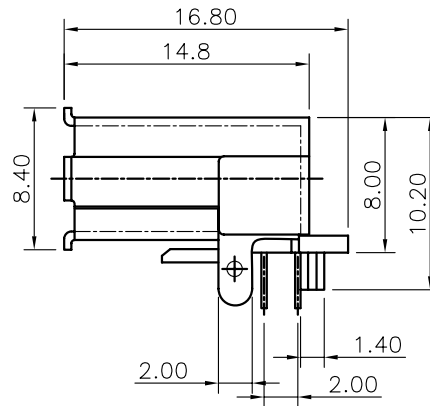
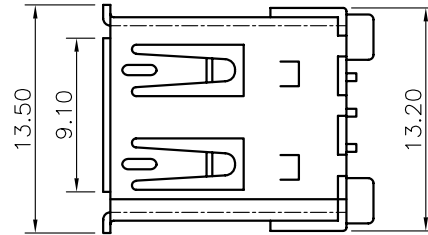
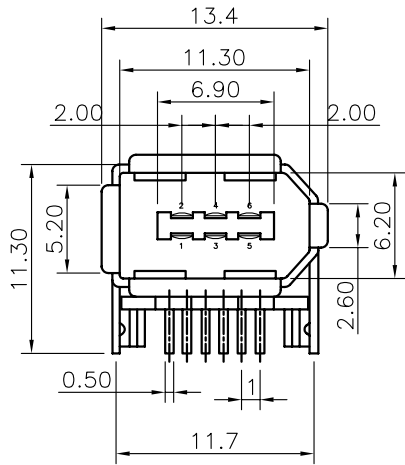
2. PRODUCT NUMBER CODE:

DS1101 - X X X

Contact plating
C: Selective 3u" gold

Shell plating
N: Nickel
6: Tin

Color of housing
B: Black



RECOMMEND P.C.B LAYOUT(TOLERANCE±0.05)

GENERAL TOLERANCE		ANGLE TOLERANCE		PROJECTION		TITLE	IEEE 1394 Female 6PIN R/A TYPE				
X.	±0.60	X.	±5°	UNITS	mm	SERIES	DS1101 SERIES				
.X	±0.38	.X	±3°	SHEET SIZE	A4						
.XX	±0.25	.XX	±2°								
DRAWING TYPE		CUSTOMER			晨翔电子有限公司 CONNFLY CONNFLY ELECTRONIC CO. LTD						
SCALE		1:1	SHEET							1 OF 1	
DRAWING NO.		C-DS1101-XXX									