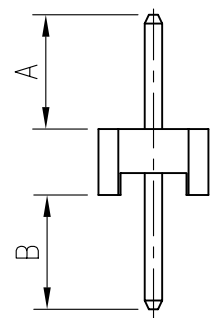
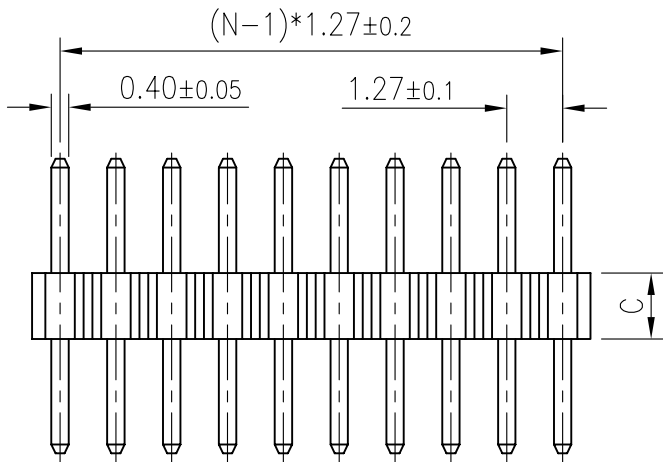
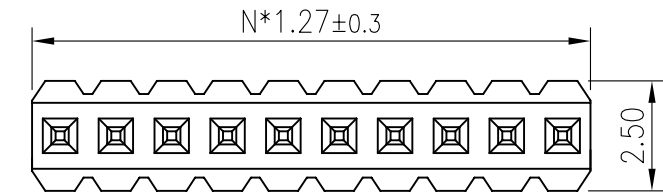


REV.	DESCRIPTION	DRAWN	CHECKED	APPROVED
A	NEW RELEASE	YCH 08/11/07'	~	



NOTES:

- MATERIAL
 - INSULATOR:THERMOPLASTIC(UL 94V-0).
 - CONTACT MATERIAL:COPPER ALLOY.
- SPECIFICATION
 - CURRENT RATING:1.0 Amp.
 - INSULATION RESISTANCE:500MΩ Min.
 - DIELECTRIC WITHSTANDING:300VAC.
 - CONTACT RESISTANCE:20mΩ Max.
 - OPERATING TEMPERATURE:-40°C TO+105°C.
- PRODUCT NUMBER CODE:

DS1031-01 - X X X X X X X X

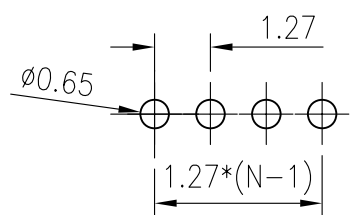
- DIM.A B TYPE
1: TYPE 1
- HOUSING HEIGHT(DIM. C)
1: 1.00mm
2: 1.50mm
3: 2.00mm
- MOUNTING TYPE
V: VERTICAL TYPE
- HOUSING COLOR
B:BLACK
- CONTACT PLATING
8: FULL GOLD FLASH
- CONNECTOR TYPE
P:PLUG
- No.OF CONTACTS
1*1-1*40

N:NUMBER OF CONTACTS

18		
19		
20		
21		
22		
23		
24		
25		

10		
11		
12		
13		
14		
15		
16		
17		

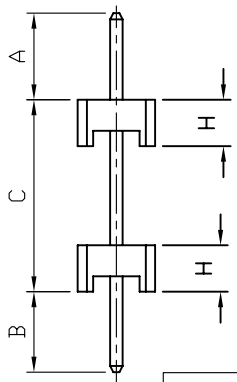
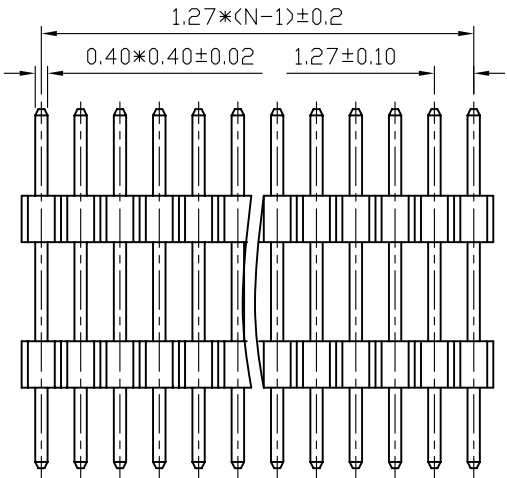
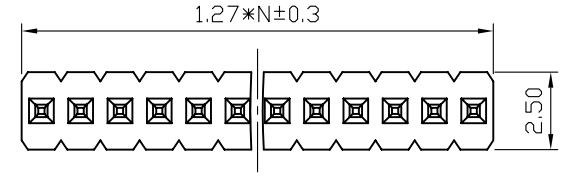
TYPE	DIM A	DIM B
1	2.60	2.60
2		
3		
4		
5		
6		
7		
8		
9		



RECOMMEND PCB LAYOUT(TOLERANCE=±0.05)

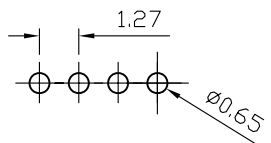
GENERAL TOLERANCE		ANGLE TOLERANCE		PROJECTION		TITLE	1.27mm PITCH PIN HEADER SINGLE ROW STRAIGHT
X.	±0.60	X.	±5'	UNITS	mm	SHEET SIZE	A4
.X	±0.38	.X	±3'	SHEET SIZE	A4	SERIES	DS1031-01 SERIES
.XX	±0.25	.XX	±2'	晨翔电子有限公司 CONNFLY CONNFLY ELECTRONIC CO. LTD			
DRAWING TYPE		CUSTOMER					
SCALE	1:1	SHEET	1 OF 1				
DRAWING NO.		C-DS1031-01-XXXXXXX					

REV.	DESCRIPTION	DRAWN	CHECKED	APPROVED
A	NEW RELEASE	LJH 06/22/05'		



TYPE	DIM A	DIM B	DIM C
1	2.80	2.60	6.20

N:No.OF CONTACTS



RECOMMEND PCB LAYOUT(TOLERANCE=±0.05)

NOTES:

- MATERIAL
 - INSULATOR:THERMOPLASTIC(UL 94V-0).
 - CONTACT MATERIAL:COPPER ALLOY.
- SPECIFICATION
 - CURRENT RATING:1.0 Amp.
 - INSULATION RESISTANCE:1000MΩ Min.
 - DIELECTRIC WITHSTANDING:300VAC.
 - CONTACT RESISTANCE:50mΩ Max.
 - OPERATING TEMPERATURE:-40°C TO+105°C.

- PART NUMBER: DS1031-04
- PRODUCT NUMBER CODE:

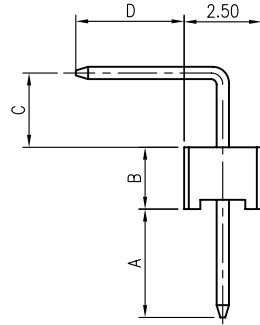
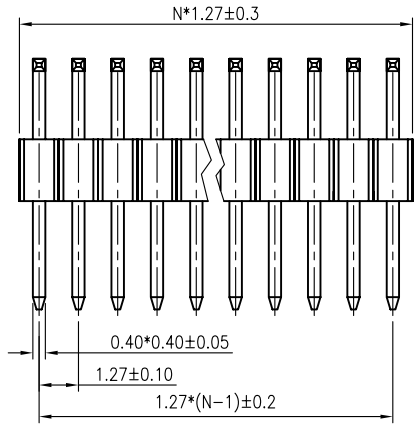
DS1031-04 - X X X X X X X

DIM.A B C TYPE
 1: TYPE 1
 HOUSING HEIGHT(DIM. H)
 1: 1.00mm
 2: 1.50mm
 3: 2.00mm
 MOUNTING TYPE
 V: VERTICAL TYPE
 HOUSING COLOR
 B:BLACK
 CONTACT PLATING
 8: FULL GOLD FLASH
 CONNECTOR TYPE
 P:PLUG
 No.OF CONTACTS
 1*1-1*40
 SERIES No.
 DS1031-04

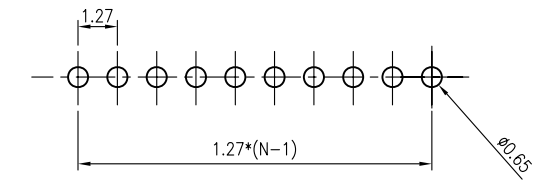
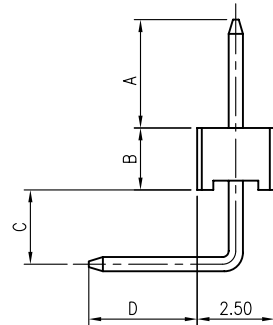
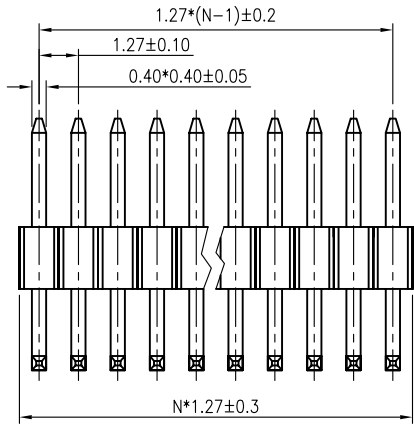
GENERAL TOLERANCE		ANGLE TOLERANCE		PROJECTION		TITLE	BOARD SPACER SINGLE ROW	
X	±0.60	X	±5'	UNITS	mm			
.X	±0.38	.X	±3'	SHEET SIZE	A4	SERIES	DS1031-04 SERIES	
.XX	±0.25	.XX	±2'	晨翔电子有限公司 CONNFLY CONNFLY ELECTRONIC CO. LTD				
DRAWING TYPE		CUSTOMER						
SCALE	1:1	SHEET	1 OF 1					
DRAWING NO.		C-DS1031-04-XXXXXXX						

REV.	DESCRIPTION	DRAWN	CHECKED	APPROVED
A	NEW RELEASE	YCH 06/20/08'	~	LJC 06/20/08'
B	整理图纸	YCH 03/15/11'	~	

R1 TYPE



R2 TYPE



RECOMMEND PCB LAYOUT(TOLERANCE=±0.05)

NOTES:

- MATERIAL
 - INSULATOR:THERMOPLASTIC(UL 94V-0).
 - CONTACT MATERIAL:COPPER ALLOY.
- SPECIFICATION
 - CURRENT RATING:1.0 Amp.
 - INSULATION RESISTANCE:500MΩ Min.
 - DIELECTRIC WITHSTANDING:300VAC.
 - CONTACT RESISTANCE:50mΩ Max.
 - OPERATING TEMPERATURE:-40°C TO+105°C.
- PART NUMBER: DS1031-02
- PRODUCT NUMBER CODE:

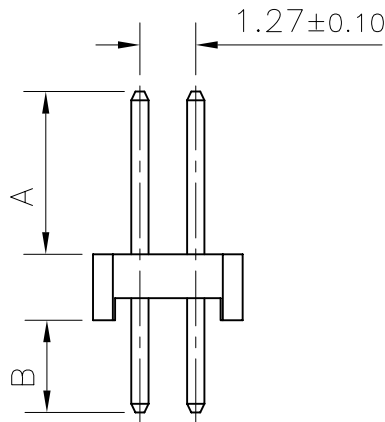
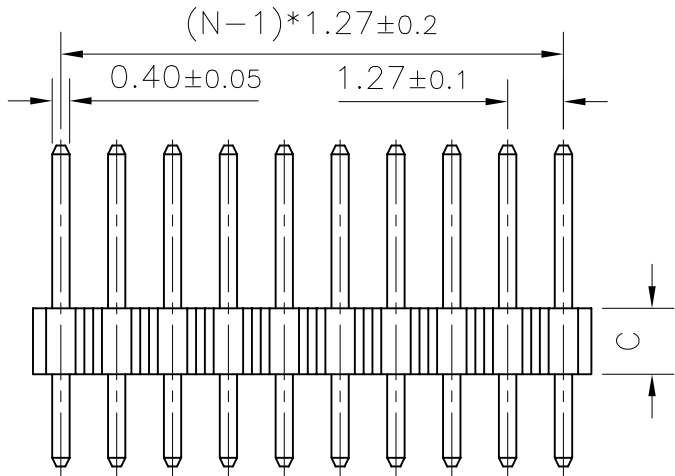
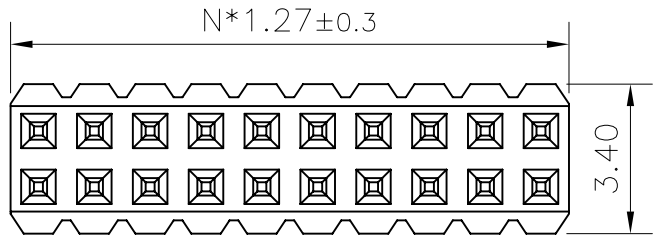
DS1031-02 - X X X X X X X X

- CONTACT BEND TYPE
 - 1: R1 TYPE
 - 2: R2 TYPE
- DIM.A B C TYPE
 - 1: TYPE 1
 - 2: TYPE 2
 - ...
- HOUSING HEIGHT(DIM. B)
 - 1: 1.00mm
 - 2: 1.50mm
 - 3: 2.00mm
- MOUNTING TYPE
 - R: RIGHT ANGLE TYPE
- HOUSING COLOR
 - B:BLACK
- CONTACT PLATING
 - 8: FULL GOLD FLASH
- CONNECTOR TYPE
 - P:PLUG
- No.OF CONTACTS
 - 1*1-1*40
- SERIES No.
 - DS1031-02

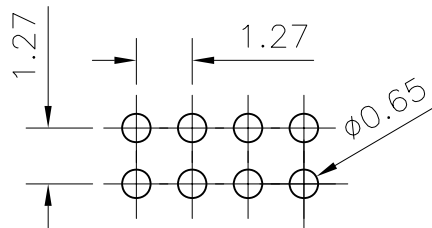
TYPE	DIM A	DIM D	DIM C
1	3.50	3.50	2.40
2	8.80	3.50	1.80
3			
4			
5			
6			
7			
8			
9			

GENERAL TOLERANCE		ANGLE TOLERANCE		PROJECTION		TITLE	1.27mm PITCH PIN HEADER SINGLE ROW RIGHT ANGLE
X.	±0.60	X.	±5°	UNITS	mm	SHEET SIZE	A4
.X	±0.38	.X	±3°			SERIES	DS1031-02 SERIES
.XX	±0.25	.XX	±2°	晨翔电子有限公司 CONNFLY CONNFLY ELECTRONIC CO. LTD			
DRAWING TYPE		CUSTOMER					
SCALE	1:1	SHEET	1 OF 1				
DRAWING NO.		C-DS1031-02-XXXXXXX					

REV.	DESCRIPTION	DRAWN	CHECKED	APPROVED
A	NEW RELEASE	YCH 08/11/07'	~	



N: HALF OF CONTACTS



RECOMMEND PCB LAYOUT(TOLERANCE=±0.05)

NOTES:

- MATERIAL
 - INSULATOR:THERMOPLASTIC(UL 94V-0).
 - CONTACT MATERIAL:COPPER ALLOY.
- SPECIFICATION
 - CURRENT RATING:1.0 Amp.
 - INSULATION RESISTANCE:500MΩ Min.
 - DIELECTRIC WITHSTANDING:300VAC.
 - CONTACT RESISTANCE:20mΩ Max.
 - OPERATING TEMPERATURE:-40°C TO+105°C.
- PRODUCT NUMBER CODE:

DS1031-06 - X X X X X X X

- DIM.A B TYPE
 - 1: TYPE 1
 - 2: TYPE 2
- HOUSING HEIGHT(DIM. C)
 - 1: 1.00mm
 - 2: 1.50mm
 - 3: 1.70mm
 - 4: 2.00mm
- MOUNTING TYPE
 - V: VERTICAL TYPE
- HOUSING COLOR
 - B:BLACK
- CONTACT PLATING
 - 8: FULL GOLD FLASH
- CONNECTOR TYPE
 - P:PLUG
- No.OF CONTACTS
 - 2*1-2*40

18		
19		
20		
21		
22		
23		
24		
25		


10		
11		
12		
13		
14		
15		
16		
17		

TYPE	DIM A	DIM B
1	3.70	2.10
2	3.50	3.50
3	4.00	2.50
4		
5		
6		
7		
8		
9		

GENERAL TOLERANCE		ANGLE TOLERANCE	
X.	±0.60	X.	±5°
.X	±0.38	.X	±3°
.XX	±0.25	.XX	±2°

PROJECTION	TITLE	1.27mm PITCH PIN HEADER DUAL ROW STRAIGHT	
UNITS	mm	SHEET	1 OF 1
SHEET SIZE	A4	SERIES	DS1031-06 SERIES

DRAWING TYPE	CUSTOMER		
SCALE	1:1	SHEET	1 OF 1
DRAWING NO.	C-DS1031-06-XXXXXXX		

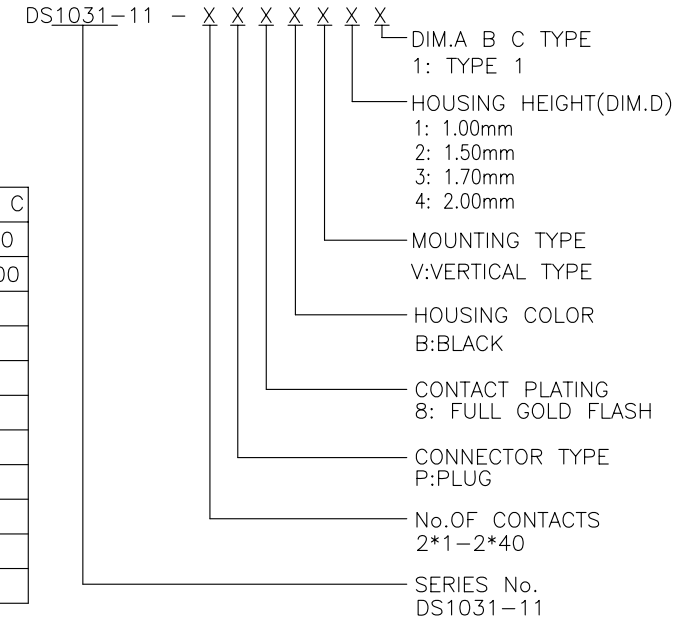

晨翔电子有限公司
CONNPLY CONNPLY ELECTRONIC CO. LTD

REV.	DESCRIPTION	DRAWN	CHECKED	APPROVED
A	NEW RELEASE	LJH 06/22/05'		

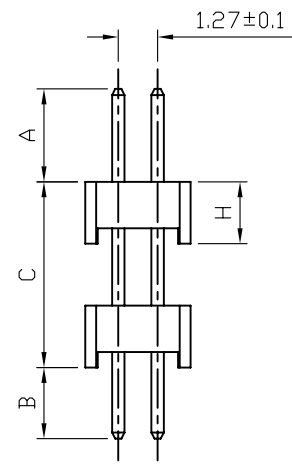
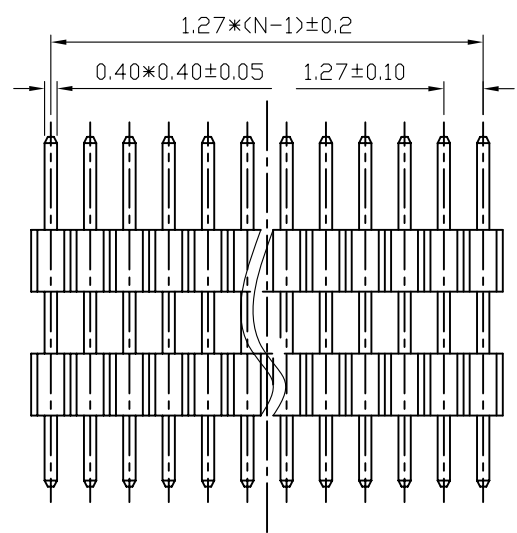
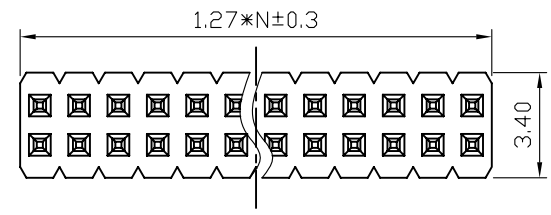
NOTES:

- MATERIAL
 - INSULATOR:THERMOPLASTIC(UL 94V-0).
 - CONTACT MATERIAL:COPPER ALLOY.
- SPECIFICATION
 - CURRENT RATING:1.0 Amp.
 - INSULATION RESISTANCE:1000MΩ Min.
 - DIELECTRIC WITHSTANDING:300VAC.
 - CONTACT RESISTANCE:50mΩ Max.
 - OPERATING TEMPERATURE:-40°C TO+105°C.

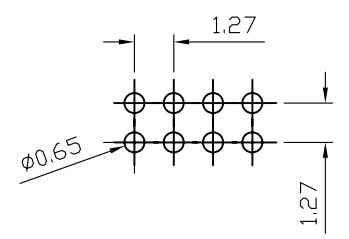
- PART NUMBER: DS1031-11
- PRODUCT NUMBER CODE:



TYPE	DIM A	DIM B	DIM C
1	3.00	2.30	6.00
2	4.00	3.00	15.00
3			
4			
5			
6			
7			
8			
9			
10			
11			



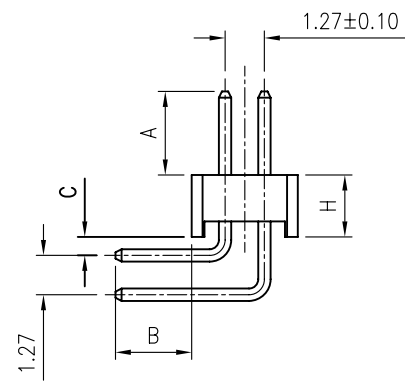
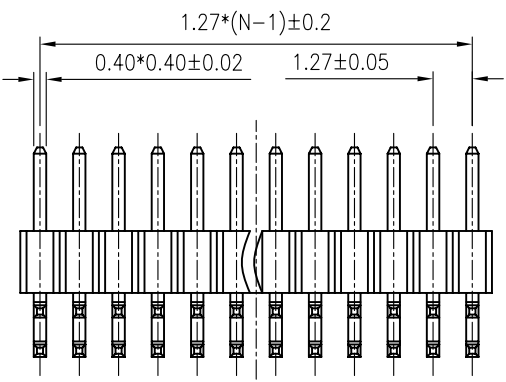
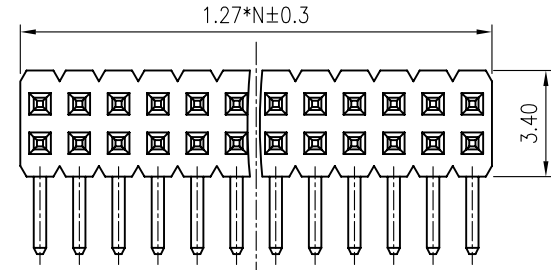
N:HALF OF CONTACTS



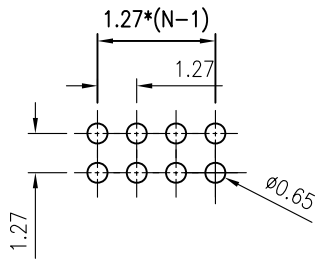
RECOMMEND PCB LAYOUT(TOLERANCE=±0.05)

GENERAL TOLERANCE		ANGLE TOLERANCE		PROJECTION		TITLE	DUAL ROW PIN HEADER PITCH 1.27mm	
X	±0.60	X	±5'	UNITS	mm			
.X	±0.38	.X	±3'	SHEET SIZE	A4	SERIES	DS1031-11 SERIES	
.XX	±0.25	.XX	±2'	晨翔电子有限公司 CONNFLY CONNFLY ELECTRONIC CO. LTD				
DRAWING TYPE		CUSTOMER						
SCALE	1:1	SHEET	1 OF 1					
DRAWING NO.		C-DS1031-11-XXXXXXX						

REV.	DESCRIPTION	DRAWN	CHECKED	APPROVED
A	NEW RELEASE	YCH 11/13/07'	~	



N: HALF OF CONTACTS

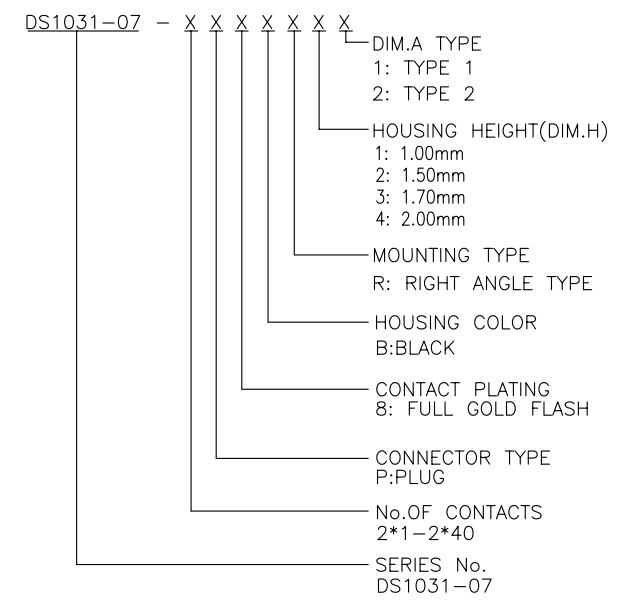


RECOMMEND PCB LAYOUT(TOLERANCE=±0.05)

TYPE	DIM A	DIM B	DIM C
1	2.70	2.50	1.60
2	3.80	2.00	2.50
3			

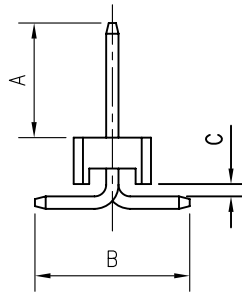
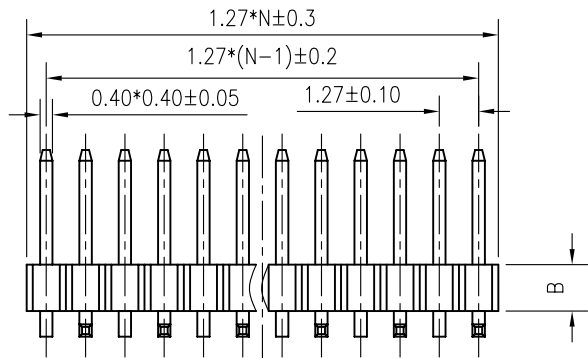
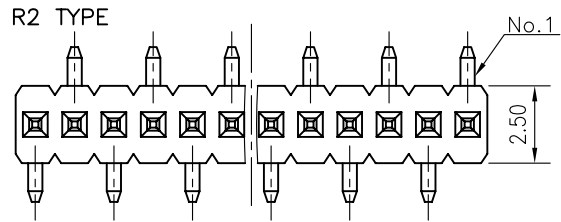
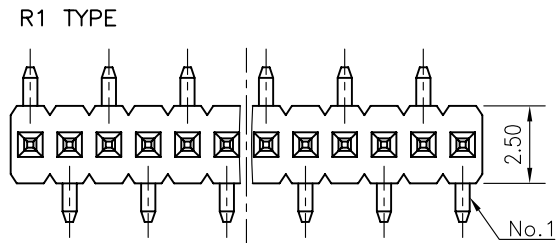
NOTES:

- MATERIAL
 - INSULATOR:THERMOPLASTIC(UL 94V-0).
 - CONTACT MATERIAL:COPPER ALLOY.
- SPECIFICATION
 - CURRENT RATING:1.0 Amp.
 - INSULATION RESISTANCE:500MΩ Min.
 - DIELECTRIC WITHSTANDING:300VAC.
 - CONTACT RESISTANCE:50mΩ Max.
 - OPERATING TEMPERATURE:-40°C TO+105°C.
- PART NUMBER: DS1031-07
- PRODUCT NUMBER CODE:

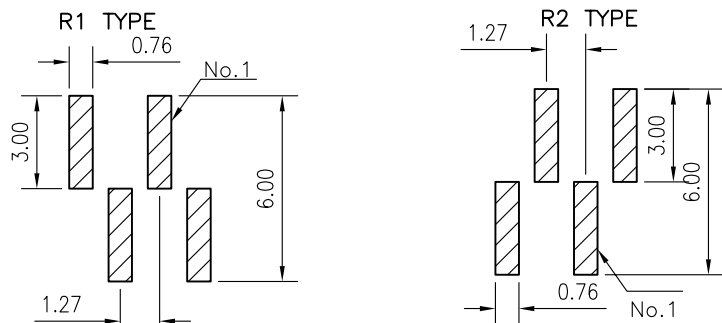


GENERAL TOLERANCE		ANGLE TOLERANCE		PROJECTION		TITLE	DUAL ROW RIGHT ANGLE	
X.	±0.60	X.	±5'	UNITS	mm			
.X	±0.38	.X	±3'	SHEET SIZE	A4	SERIES	DS1031-07 SERIES	
.XX	±0.25	.XX	±2'	晨翔电子有限公司 CONNFLY CONNFLY ELECTRONIC CO. LTD				
DRAWING TYPE		CUSTOMER						
SCALE	1:1	SHEET	1 OF 1					
DRAWING NO.		C-DS1031-07-XXXXXXX						

REV.	DESCRIPTION	DRAWN	CHECKED	APPROVED
A	NEW RELEASE	LJH 02/21/08'	~	



N:No.OF CONTACTS



NOTES:

- MATERIAL
 - INSULATOR:THERMOPLASTIC(UL 94V-0).
 - CONTACT MATERIAL:COPPER ALLOY
- SPECIFICATION
 - CURRENT RATING:1.0 Amp.
 - INSULATION RESISTANCE:500MΩ Min.
 - DIELECTRIC WITHSTANDING:300VAC.
 - CONTACT RESISTANCE:50mΩ Max.
 - OPERATING TEMPERATURE:-40°C TO+105°C.
- PART NUMBER: DS1031-03
- PRODUCT NUMBER CODE:

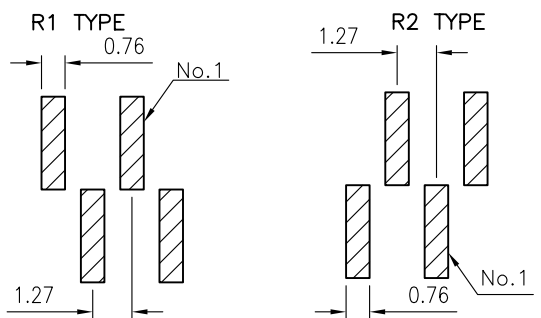
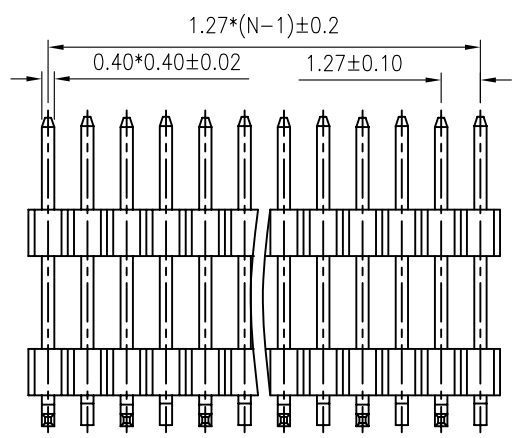
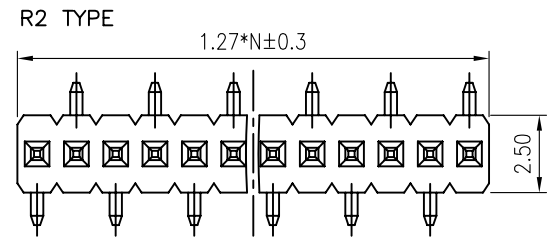
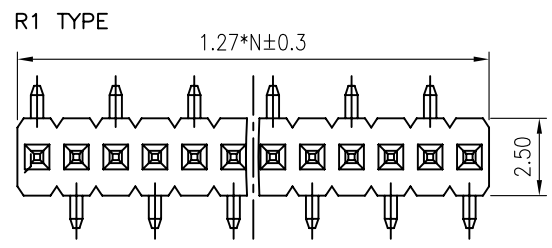
DS1031-03 - X X X X X X X X

- CONTACT BEND TYPE
 - 1: R1 TYPE
 - 2: R2 TYPE
- DIM.A B C TYPE
 - 1: TYPE 1
- HOUSING HEIGHT(DIM. B)
 - 1: 1.00mm
 - 2: 1.50mm
 - 3: 2.00mm
- MOUNTING TYPE
 - S: SMT TYPE
- HOUSING COLOR
 - B:BLACK
- CONTACT PLATING
 - 8: FULL GOLD FLASH
- CONNECTOR TYPE
 - P:PLUG
- No.OF CONTACTS
 - 1*1-1*40
- SERIES No.
 - DS1031-03

TYPE	DIM A	DIM B	DIM C
1	3.70	5.00	0.40
2			
3			
4			
5			
6			
7			

GENERAL TOLERANCE		ANGLE TOLERANCE		PROJECTION		TITLE	1.27mm PITCH PIN HEADER
X	±0.60	X	±5'	UNITS	mm	SINGLE ROW S.M.T TYPE	
.X	±0.38	.X	±3'	SHEET SIZE	A4	SERIES	DS1031-03 SERIES
.XX	±0.25	.XX	±2'	晨翔电子有限公司 CONNFLY CONNFLY ELECTRONIC CO. LTD			
DRAWING TYPE		CUSTOMER					
SCALE	1:1	SHEET	1 OF 1				
DRAWING NO.		C-DS1031-03-XXXXXXX					

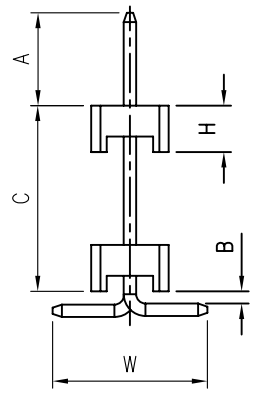
REV.	DESCRIPTION	DRAWN	CHECKED	APPROVED
A	NEW RELEASE	LJH 06/22/05'		



RECOMMEND PCB LAYOUT(TOLERANCE=±0.05)

TABLE A:

TYPE	Dimension			
	A	B	C	W
1	3.00	0.40	6.00	5.00
2				
3				
4				
5				
6				
7				
8				



NOTES:

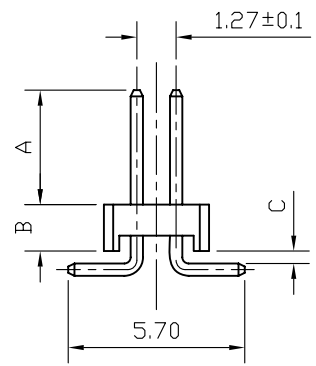
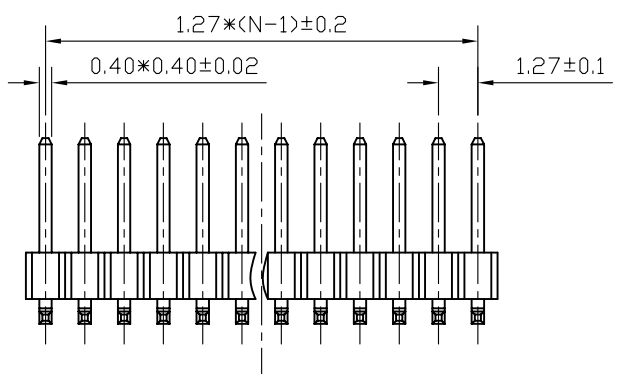
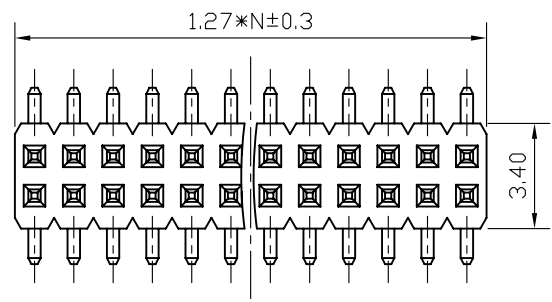
- MATERIAL
 - INSULATOR:THERMOPLASTIC(UL 94V-0).
 - CONTACT MATERIAL:COPPER ALLOY.
- SPECIFICATION
 - CURRENT RATING:1.0 Amp.
 - INSULATION RESISTANCE:100MΩ Min.
 - DIELECTRIC WITHSTANDING:300VAC.
 - CONTACT RESISTANCE:50mΩ Max.
 - OPERATING TEMPERATURE:-40°C TO+105°C.
- PART NUMBER: DS1031-05
- PRODUCT NUMBER CODE:

DS1031-05 - X X X X X X X X

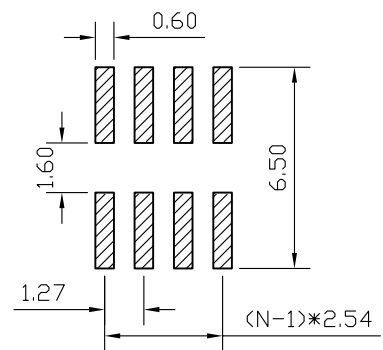
- CONTACT BEND TYPE
 - R1 TYPE
 - R2 TYPE
- DIM.A B C W TYPE
 - TYPE 1
- HOUSING HEIGHT(DIM.H)
 - 1.0mm
 - 1.50mm
 - 2.00mm
- CONTACTS TYPE
 - S: SMT TYPE
- HOUSING COLOR
 - B:BLACK
- CONTACT PLATING
 - 8: FULL GOLD FLASH
- CONNECTOR TYPE
 - P:PLUG
- No.OF CONTACTS
 - 1*1-1*40
- SERIES No.
 - DS1031-05

GENERAL TOLERANCE		ANGLE TOLERANCE		PROJECTION		TITLE	1.27mm PITCH PIN HEADER
X	±0.60	X	±5'	UNITS	mm	BOARD SPACER SINGLE ROW S.M.T	
.X	±0.38	.X	±3'	SHEET SIZE	A4	SERIES	DS1031-05 SERIES
.XX	±0.25	.XX	±2'	晨翔电子有限公司 CONNFLY CONNFLY ELECTRONIC CO. LTD			
DRAWING TYPE		CUSTOMER					
SCALE	1:1	SHEET	1 OF 1				
DRAWING NO.		C-DS1031-05-XXXXXXXX					

REV.	DESCRIPTION	DRAWN	CHECKED	APPROVED
A	NEW RELEASE	LJH 06/22/05'		



N:NUMBER OF CONTACTS/2



RECOMMEND PCB LAYOUT(TOLERANCE=±0.05)

TYPE	DIM A	DIM C
1	3.70	0.40
2	3.00	0.40
3	3.30	0.20
4	3.30	0.40
5		

NOTES:

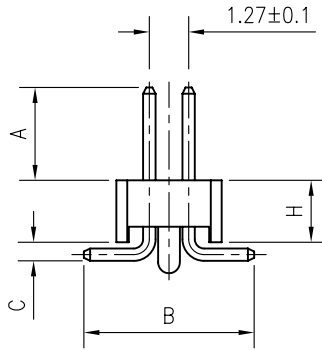
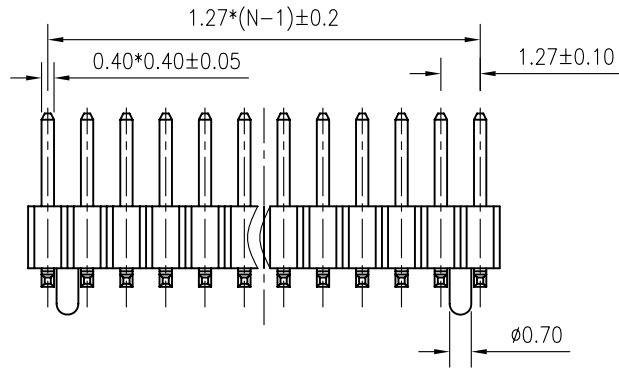
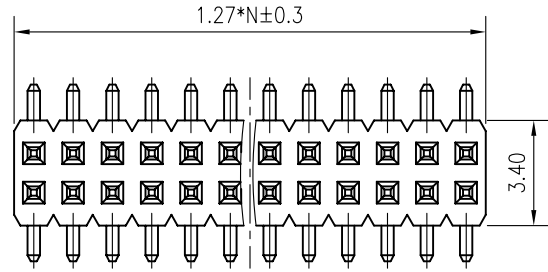
- ELECTRICAL CHARACTERISTICS:
 - CONTACT RESISTANCE: 50mΩ Max. INITIAL.
 - DIELECTRIC WITHSTANDING VOLTAGE: 300V AC(rms) FOR 1 MINUTE.
 - INSULATION RESISTANCE: 1000MΩ Min.
- ENVIRONMENT CHARACTERISTICS:
 - OPERATING TEMPERATURE: -40°C~+105°C.
- PART NUMBER: DS1031-08
- PRODUCT NUMBER CODE:

DS1031-08 - X X X X X X X X

- DIM.A C TYPE
 - 1: TYPE 1
 - 2: TYPE 2
 - 3: TYPE 3
 -
- HOUSING HEIGHT(DIM.B)
 - 1: 1.00mm
 - 2: 1.50mm
 - 3: 1.70mm
 - 4: 2.00mm
- MOUNTING TYPE
 - S: SMT TYPE
- HOUSING COLOR
 - B:BLACK
- CONTACT PLATING
 - 8: FULL GOLD FLASH
- CONNECTOR TYPE
 - P:PLUG
- No.OF CONTACTS
 - 2*1-2*40
- SERIES No.
 - DS1031-08

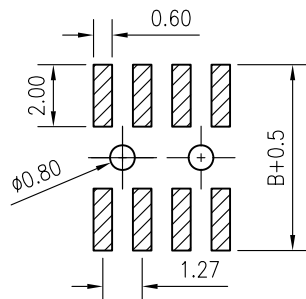
GENERAL TOLERANCE		ANGLE TOLERANCE		PROJECTION		TITLE	PIN HEADER PITCH 1.27mm SMT TYPE					
X.	±0.60	X.	±5'	UNITS	mm	SHEET SIZE	A4	SERIES DS1031-08 SERIES				
.X	±0.38	.X	±3'									
.XX	±0.25	.XX	±2'									
DRAWING TYPE		CUSTOMER		晨翔电子有限公司 CONFLY CONNFLY ELECTRONIC CO. LTD								
SCALE		1:1							SHEET		1 OF 1	
DRAWING NO.		C-DS1031-08-XXXXXXX										

REV.	DESCRIPTION	DRAWN	CHECKED	APPROVED
A	NEW RELEASE	LJH 06/22/05'		



N: HALF OF CONTACTS

TYPE	DIM A	DIM B	DIM C
1	3.00	5.50	0.60
2	3.70	5.70	0.60
3			
4			
5			
6			



RECOMMEND PCB LAYOUT(TOLERANCE=±0.05)

NOTES:

- MATERIAL
 - INSULATOR:THERMOPLASTIC(UL 94V-0).
 - CONTACT MATERIAL:COPPER ALLOY.
- SPECIFICATION
 - CURRENT RATING:1.0 Amp.
 - INSULATION RESISTANCE:1000MΩ Min.
 - DIELECTRIC WITHSTANDING:300VAC.
 - CONTACT RESISTANCE:50mΩ Max.
 - OPERATING TEMPERATURE:-40°C TO+105°C.
- PART NUMBER: DS1031-09
- PRODUCT NUMBER CODE:

DS1031-09 - X X X X X X X X

- DIM.A B C TYPE
 - 1: TYPE 1
 - 2: TYPE 2
- HOUSING HEIGHT(DIM.H)
 - 1: 1.0mm
 - 2: 1.50mm
 - 3: 1.70mm
 - 4: 2.00mm
- MOUNTING TYPE
 - S: SMT TYPE
- HOUSING COLOR
 - B:BLACK
- CONTACT PLATING
 - 8: FULL GOLD FLASH
- CONNECTOR TYPE
 - P:PLUG
- No.OF CONTACTS
 - 2*1-2*40
- SERIES No.
 - DS1031-09

GENERAL TOLERANCE		ANGLE TOLERANCE		PROJECTION		TITLE	1.27mm PITCH PIN HEADER	
X.	±0.60	X.	±5'	UNITS	mm	DUAL ROW S.M.T TYPE WITH LOCAL PEG		
.X	±0.38	.X	±3'	SHEET SIZE	A4	SERIES	DS1031-09 SERIES	
.XX	±0.25	.XX	±2'	晨翔电子有限公司 CONNFLY CONNFLY ELECTRONIC CO. LTD				
DRAWING TYPE		CUSTOMER						
SCALE	1:1	SHEET	1 OF 1					
DRAWING NO.		C-DS1031-09-XXXXXXX						

REV.	DESCRIPTION	DRAWN	CHECKED	APPROVED
A	NEW RELEASE	LJH 06/22/05'		

TABLE A:

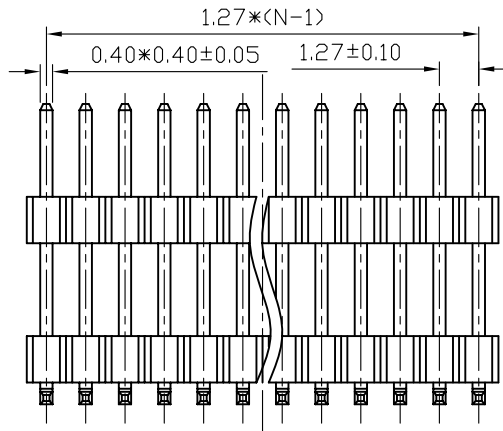
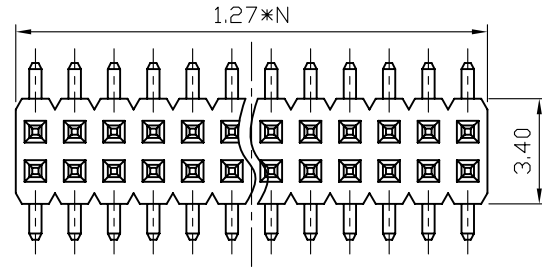
TYPE	Dimension			
	A	B	C	W
1	3.00	0.70	6.00	5.50
2	4.00	0.70	14.30	5.50
3	4.00	0.70	10.30	5.50
4				
5				
6				
7				
8				

NOTES:

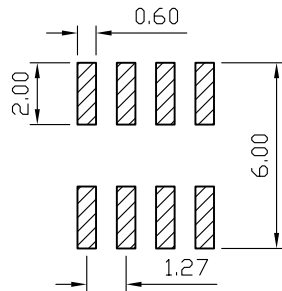
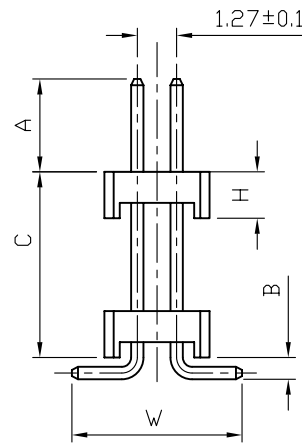
- MATERIAL
 - INSULATOR:THERMOPLASTIC(UL 94V-0).
 - CONTACT MATERIAL:COPPER ALLOY.
- SPECIFICATION
 - CURRENT RATING:1.0 Amp.
 - INSULATION RESISTANCE:1000MΩ Min.
 - DIELECTRIC WITHSTANDING:300VAC.
 - CONTACT RESISTANCE:50mΩ Max.
 - OPERATING TEMPERATURE:-40°C TO+105°C.
- PART NUMBER: DS1031-10
- PRODUCT NUMBER CODE:

DS1031-10 - X X X X X X

- DIM.A C TYPE
- 1: TYPE 1
- HOUSING HEIGHT(DIM.H)
- 1: 1.00mm
- 2: 1.50mm
- 3: 1.70mm
- 4: 2.00mm
- MOUNTING TYPE
- S: SMT TYPE
- HOUSING COLOR
- B:BLACK
- CONTACT PLATING
- 8: FULL GOLD FLASH
- CONNECTOR TYPE
- P:PLUG
- No.OF_CONTACTS
- 2*1-2*40
- SERIES No.
- DS1031-10



N:HALF OF CONTACTS

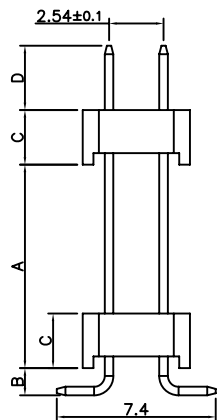
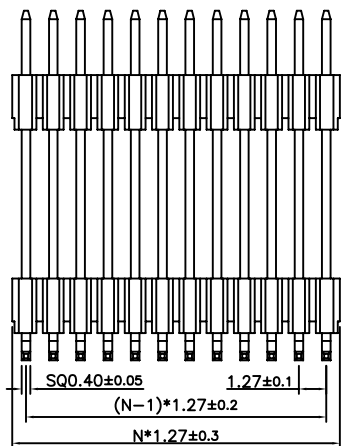


RECOMMEND PCB LAYOUT(TOLERANCE=±0.05)

GENERAL TOLERANCE		ANGLE TOLERANCE		PROJECTION		TITLE	1.27mm PITCH PIN HEADER	
X.	±0.60	X.	±5°	UNITS	mm	DUAL ROW SMT		
.X	±0.38	.X	±3°	SHEET SIZE	A4	SERIES	DS1031-10 SERIES	
.XX	±0.25	.XX	±2°	晨翔电子有限公司 CONNFLY CONNFLY ELECTRONIC CO. LTD				
DRAWING TYPE		CUSTOMER						
SCALE		5:1	SHEET					
DRAWING NO.		C-DS1031-10-XXXXXXX						

REV.	DESCRIPTION	DRAWN	CHECKED	APPROVED
A	NEW RELEASE	LJC 05/09/08'		

N=NO. OF CONTACTS/2



TYPE	DIM A	DIM B	DIM D
1	9.46	1.27	3.00
2			
3			
4			
5			

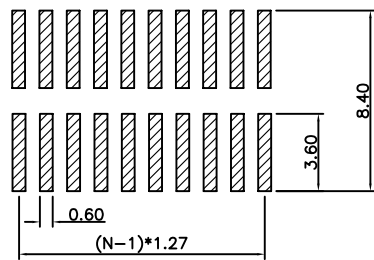
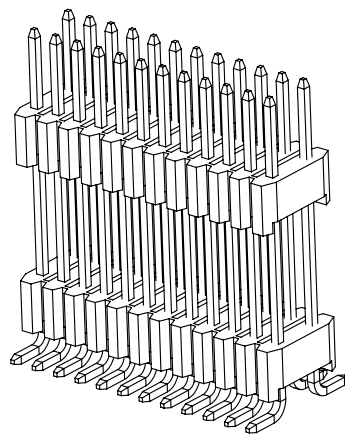
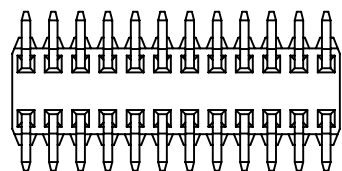
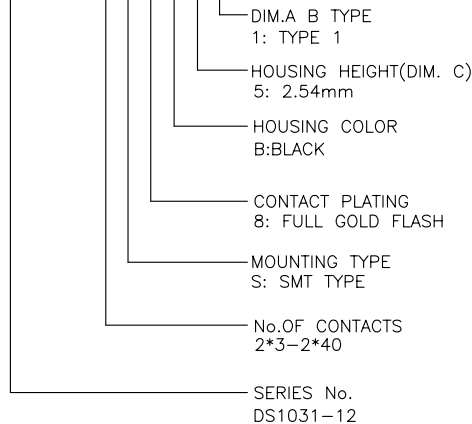
NOTES:

- MATERIAL
 - INSULATOR: HIGH TEMPERATURE MATERIALS(UL 94V-0).
 - CONTACT MATERIAL: COPPER ALLOY.
- SPECIFICATION
 - CURRENT RATING:1.0 Amp.
 - INSULATION RESISTANCE:500MΩ Min.
 - DIELECTRIC WITHSTANDING:300VAC.
 - CONTACT RESISTANCE:50mΩ Max.
 - OPERATING TEMPERATURE:-40°C TO+105°C.

3. PART NUMBER: DS1031-12

4. PRODUCT NUMBER CODE:

DS1031-12 - X X X X X X



RECOMMEND PCB LAYOUT(TOLERANCE=±0.05)

GENERAL TOLERANCE		ANGLE TOLERANCE		PROJECTION		TITLE	1.27*2.54mm PIN HEADER
X.	±0.60	X.	±5°	UNITS	mm	SMT TYPE STACK SERIES	
.X	±0.38	.X	±3°	SHEET SIZE	A4	SERIES	DS1031-12 SERIES
.XX	±0.25	.XX	±2°				
DRAWING TYPE		CUSTOMER		晨翔电子有限公司 CONNFLY CONNFLY ELECTRONIC CO. LTD			
SCALE		1:1	SHEET 1 OF 1				
DRAWING NO.		C-DS1031-12-XXXXXX					